

E-IN-C 488
GEN. GEN. DOCS

/D.O.

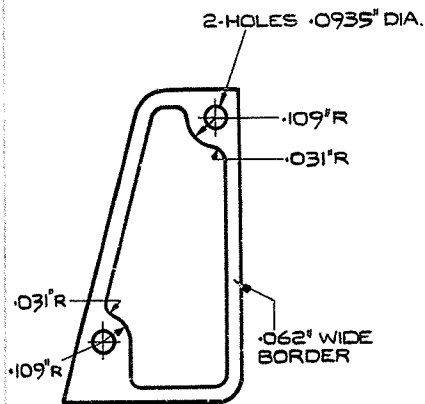
M.V.E.

TRIM TO THESE LINES 13" x 8"

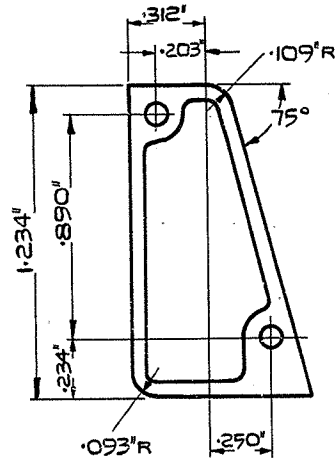
DRG. 90713

(C)
P102730
P102731

POST OFFICE ENGINEERING DEPT. E-IN-C'S OFFICE S BRANCH	
DISTRIBUTION	
GENERAL	
P.O.	REFERENCES
SPEC. 01000	
ASSEMBLY DRG.	WIRING DIAG
# BS1470	
F.I.L. 5150 (BTT.D.C.)	SPEC.
AND AS 30° ANGLE	
SCALE: 2 INDICATED PROJECTION	
DECIMAL DIMENSIONS NOT TOLERANCED	
SUBJECT TO	
APP'D IN S4 SECTION	DRN GEC.
<i>[Signature]</i>	TCD. GEC.
	CONTRAS & [Signature]
	DATE 20.2.56
AMENDMENT	
SUFFIX	
FOR SUPERSED	
LABELS, N ^o 332 E	
8; N ^o 332 F	
DRG. 90713	



LABEL N^o 332 E



LABEL N^o 332 F

MATERIAL :- ALUMINILM SPEC. BS. 1470, 21 SW.G. (.032")

FINISH :- DOUBLE ANODIZED NATURAL BORDER ON BLACK BACKGROUND.

FIRST USE :- BELL SET No. 44. (DRG. 90569)

LIMIT OF DRAWING SPACE