

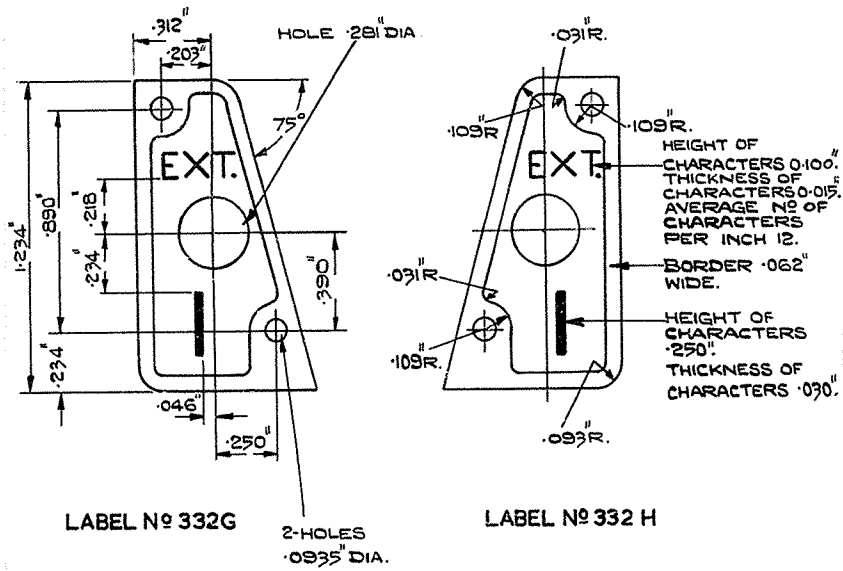
MADIER

/DO

PLS. TO THESE LINES IS -

DRG 90714

(c)  
P102726  
P102727



MATERIAL:- ALUMINIUM, SPEC. B.S. 1470. 21 S.W.G. (.032")

FINISH:- DOUBLE ANODIZED NATURAL CHARACTERS AND BORDER ON BLACK BACKGROUND.

FIRST USE:- BELL SET 7244 (DRG. 90569)

POST OFFICE ENGINEERS' OFFICE  
 GENERAL  
 S  
 DEPARTMENT

BS 1470

S150 BTDC  
 2  
 3RD

SCALE: 1" = 1"

PROJECT: 70

APPROVED BY: *[Signature]*

G.E.C.  
 G.E.S.  
 CONTRACTS & S.  
 20-2-56

BORDER AROUND .281" DIA. HOLE  
 DELETED  
 S.E. 11/1/56

FOR SUPPLY

LABELS, No 332G  
 & No 332 H

DRG 90714