

POST OFFICE ENGINEERING DEPT
E-IN-C'S OFFICE S BRANCH

PO DISTRIBUTION GENERAL

REFERENCES

ASSEMBLY DRG WIRING DGM

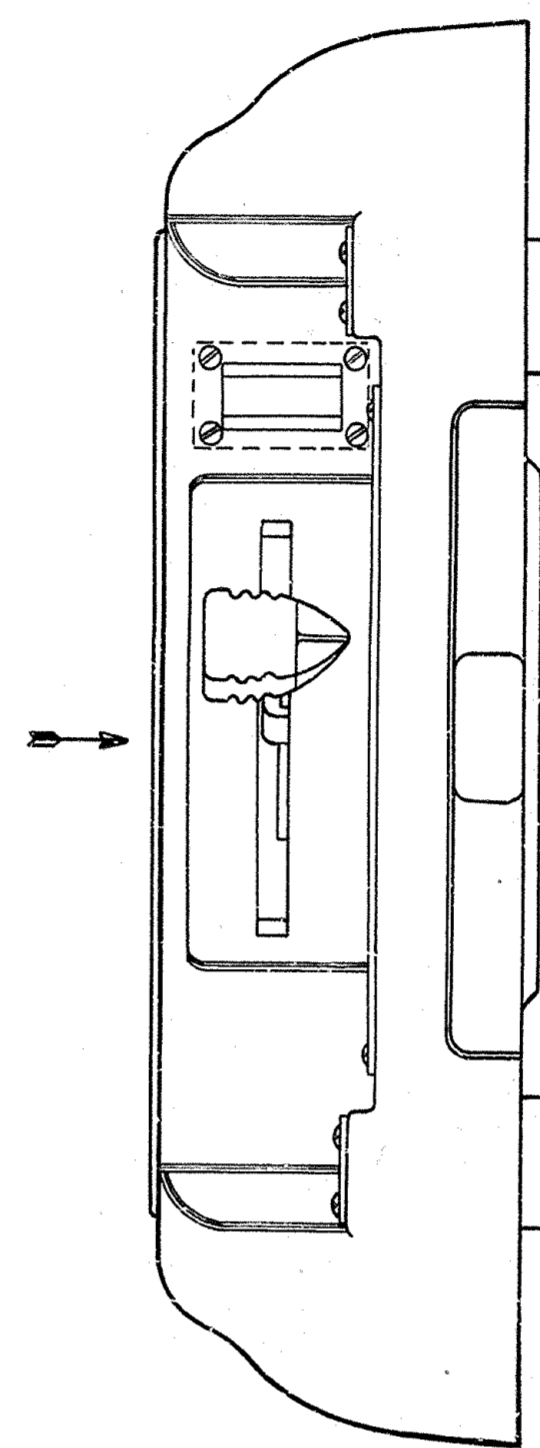
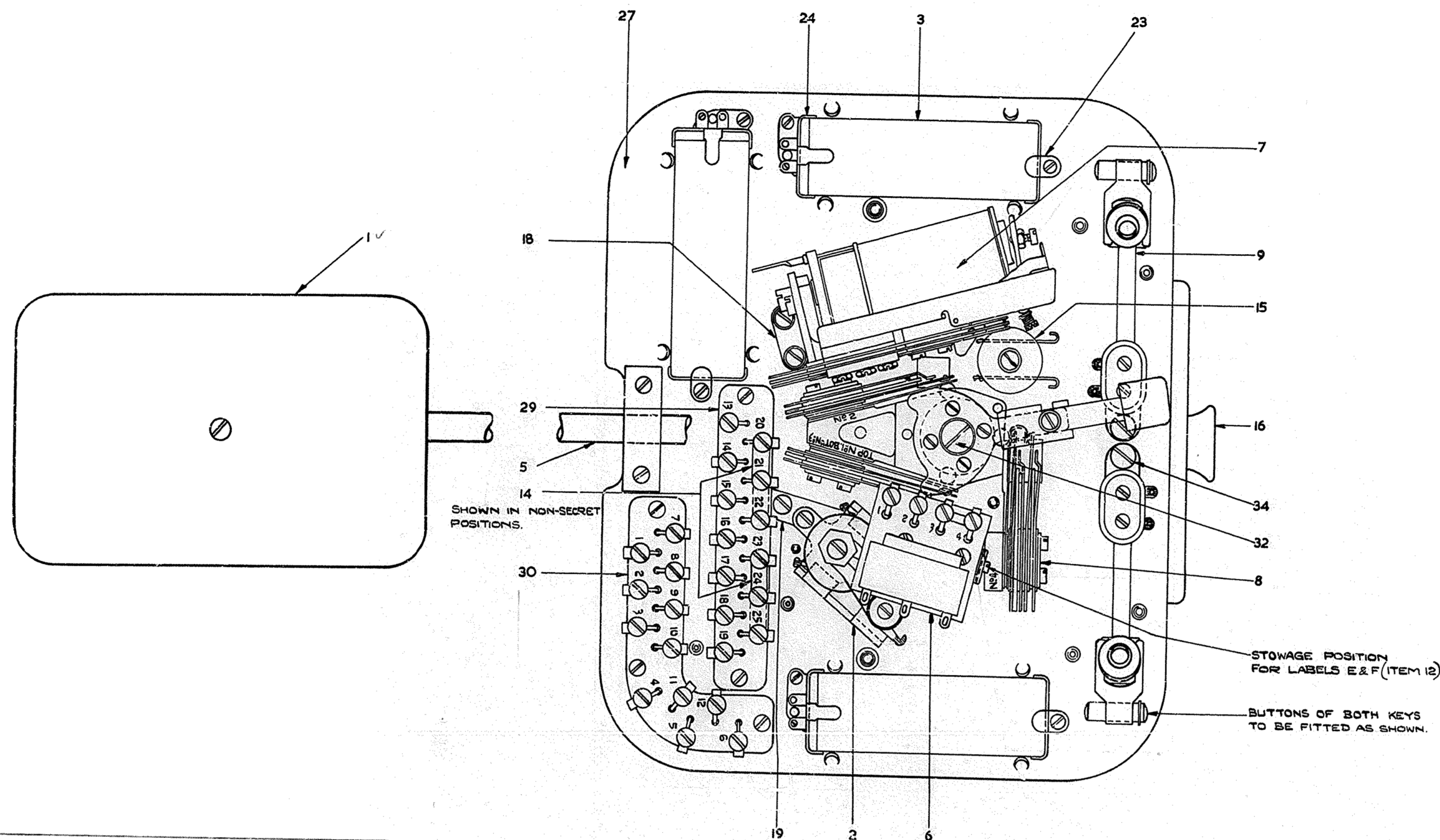
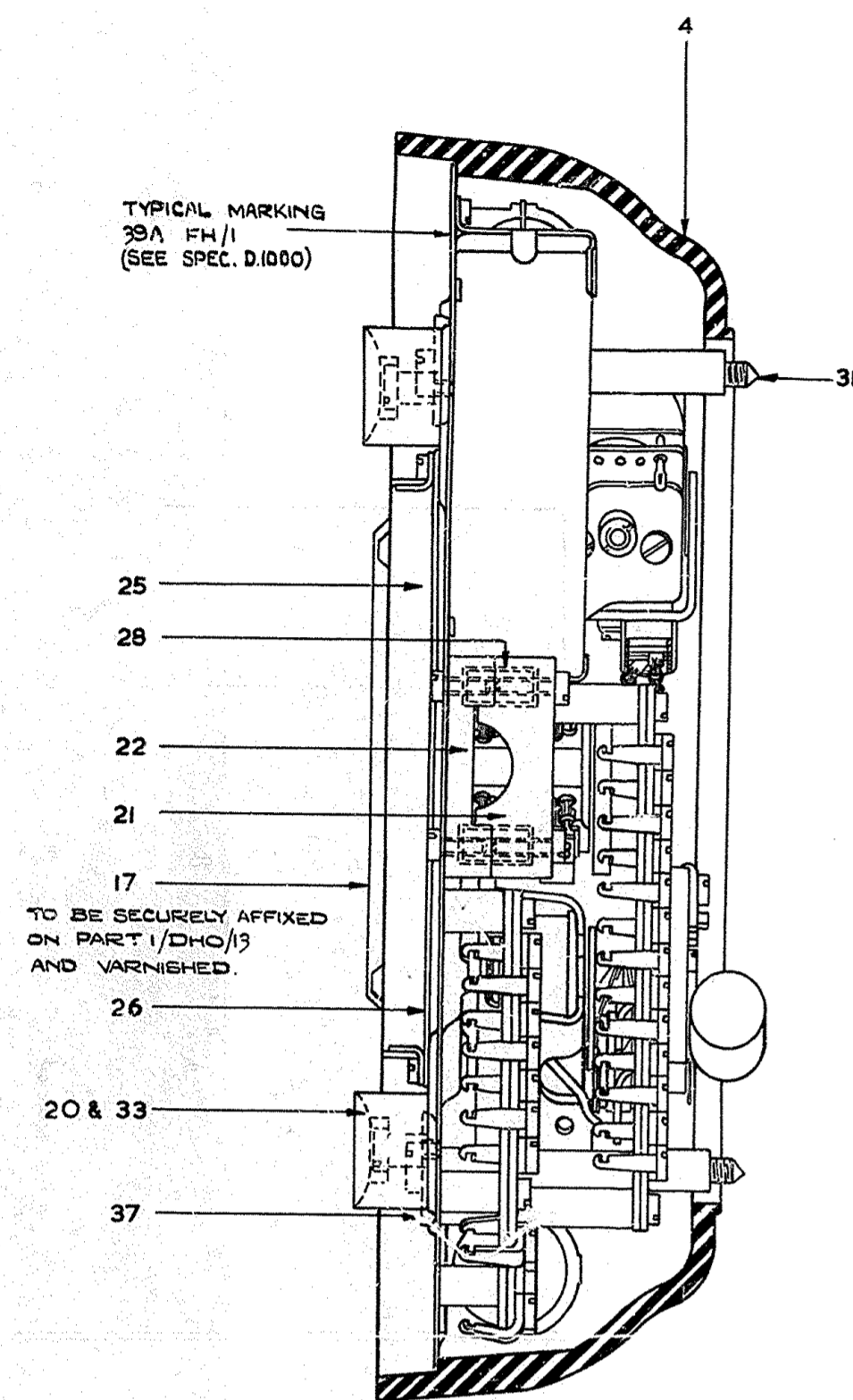
FILE 8150 BITEC SPEC. 5163

SCALE - 1 AND AS INDICATED 3RD ANGLE PROJECTION

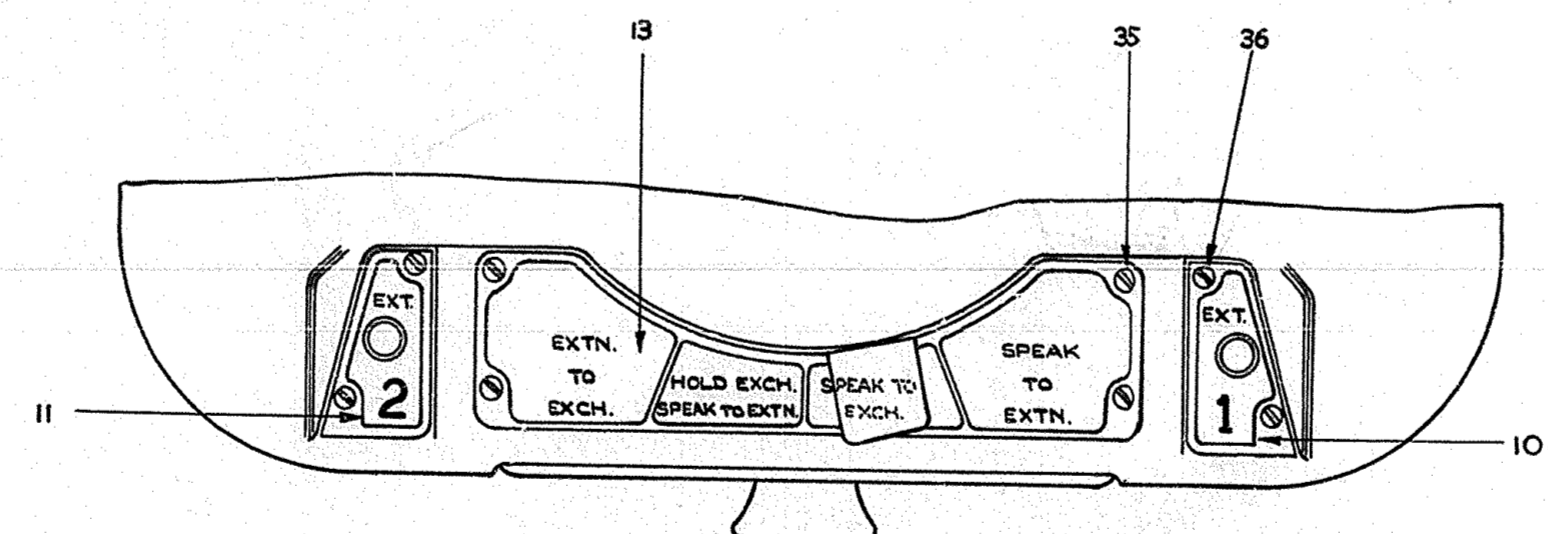
DECIMAL DIMENSIONS NOT TOLERANCED SUBJECT TO

APPROVED IN 51 SECTION (FORM) G.E.C.
T.C.D. CHD. CONTROLLED
DATE 5-10-56

AMENDMENT SUFFIX
SUPERSESSION NOTE ADDED 11/10/55 A



SCHEDULE							
ITEM	DESCRIPTION	DRG.	No. OFF	SCREWS ETC.	MATERIAL	FINISH	No. OFF
1	BLOCK TERMINAL NO 20/12	62906	1				
2	Buzzer No 90 A UNMOUNTED (MODIFIED) (SEE NOTE)	90529	1	SC. 5 BA x 7/32 CH. HD.	BR	NI. P. MT.	2
3	CAPACITOR MIC 99	SPEC D1891	3				
4	COVER NO 13	90709	1				
5	CORD INSTRUMENT NO 9/10 H	62277	1				
6	FILTER SUPPRESSION NO 26 A	90197	1	SC. 6 BA x 7/32 CH. HD.	BR	NI. P. MT.	2
7	INDICATOR NO 3900 A	62875	1	SC. 4 BA x 1/4 CH. HD.	MS	Zn PLAC	2
8	KEY NO 317 A	90779	1	SC. 4 BA x 1/4 CH. HD.	MS	Zn PLAC	2
9	KEY NO 315 C	90779	2	SC. 5 BA x 1/4 CH. HD.	MS	Zn PLAC	1
10	LABEL NO 332 G	90714	1				
11	LABEL NO 332 C	90712	1				
12	LABEL NO 332 E & F	90713	1 OFF EACH	SC. 8 BA x 3/16 CH. HD.	BR	NI. P. MT.	1
13	LABEL NO 333	90716	1				
14	LINK, BRASS NO 6	62669	2				
15	RESISTOR CARBON NO 2 (MK. 2) 300 A	9537	1	SC. 4 BA x 7/16 CH. HD. WASHER 4 BA SMALL	BR	NI. P. MT.	1
16	TRAY, DSC 076 (COLOUR)	62076	1				
17	LABEL, DIAGRAM N 939	N 939	1				
18	PART 1/DBR/257 (BRACKET, MOUNTING)	DBR/257	1	SC. 4 BA x 1/4 CH. HD. WASHER, LOCKWASHER NO 1, 4 BA	MS	Zn PLAC. BLK.	2
19	PART 1/DBR/258 (BRACKET, MOUNTING)	DBR/258	1	SC. 5 BA x 7/32 CH. HD.	MS	Zn PLAC.	2
20	PART 1/SBU/1 (BUTTON, RUBBER)	SBU/1	4				
21	PART 1/DCL/78 (CLAMP, CORD)	DCL/78	1	SC. 5 BA x 7/16 CH. HD.	BR	NI. P. MT.	2
22	PART 2/DCL/78 (CLAMP, CORD)	DCL/78	1	SC. 5 BA x 7/16 CH. HD.	BR	NI. P. MT.	2
23	PART 1/SCL/36 (CLIP, CAPACITOR)	SCL/36	3	SC. 6 BA x 1/8 CH. HD.	BR	NI. P. MT.	3
24	PART 1/DCL/107 (CLIP, CAPACITOR)	DCL/107	3	SC. 6 BA x 1/8 CH. HD.	BR	NI. P. MT.	3
25	PART 1/DHO/19 (HOLDER, TRAY)	DHO/19	1	SC. 6 BA x 1/8 CH. HD.	BR	NI. P. MT.	6
26	PART 1/DPL/557 (PLATE, METAL)	DPL/557	1				
27	PART 1/DPL/645 (PLATE, MOUNTING)	DPL/645	1				
28	PART 1/DPO/53 (POST, FIXING)	DPO/53	2				
29	PART 1/DST/222 (STRIP, CONNECTION)	DST/222	1	SC. 5 BA x 7/16 CH. HD.	BR	NI. P. MT.	2
30	PART 1/DST/223 (STRIP, CONNECTION)	DST/223	1	SC. 5 BA x 7/16 CH. HD.	BR	NI. P. MT.	2
31	PART 1/DSC/36 (SCREW, 2 BA SPECIAL)	DSC/36	2				
32	PART 1/DSC/36 (SCREW, 2 BA SPECIAL)	DSC/36	1				
33	PART 1/DSC/384 (SCREW, 4 BA SPECIAL)	DSC/384	4				
34	PART 2/DSC/384 (SCREW, 5 BA SPECIAL)	DSC/384	2				
35	PART 1/DSC/213 (SCREW, 8 BA SPECIAL)	DSC/213	4				
36	PART 2/DSC/213 (SCREW, 8 BA SPECIAL)	DSC/213	4				
37	PART 1/DWA/56 (WASHER, METAL)	DWA/56	2				



PART VIEW LOOKING IN DIRECTION OF ARROW

NOTE: ITEM 2 (BUZZER NO 90 A UNMOUNTED) TO BE SUPPLIED MINUS CAPACITOR 196 B, RESISTOR CARBON NO 2, PART 1/DTA/151 (TAG) & ASSOCIATED PARTS.

(C)
DRG 52492

REPLACEABLE ITEMS

FOR SUPERSESSING ITEM FOR NEW WORK
SEE BELL SET No. 44 DRG. 90569

BELL SET
No. 39A
(MK. 1)

DRG 90746

MASTER