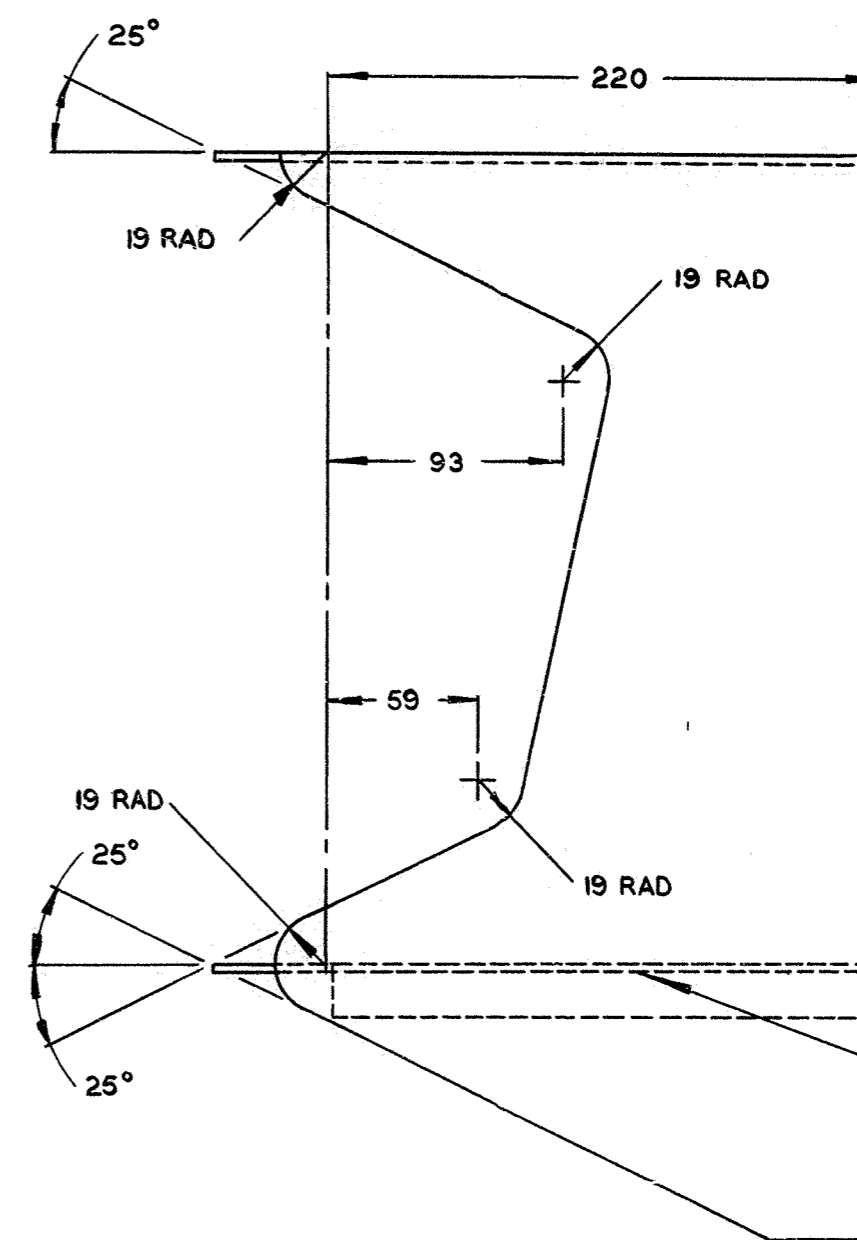
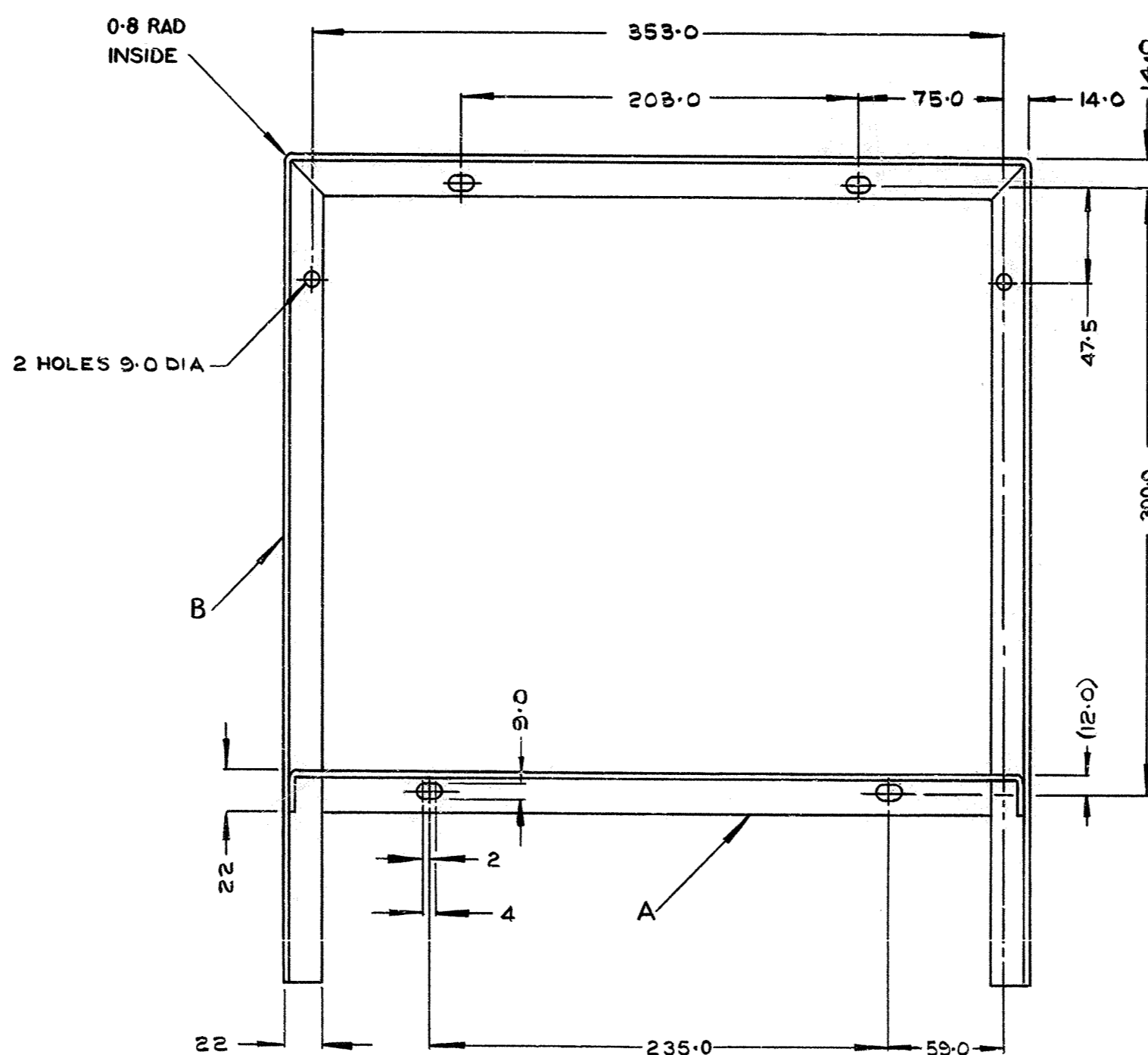
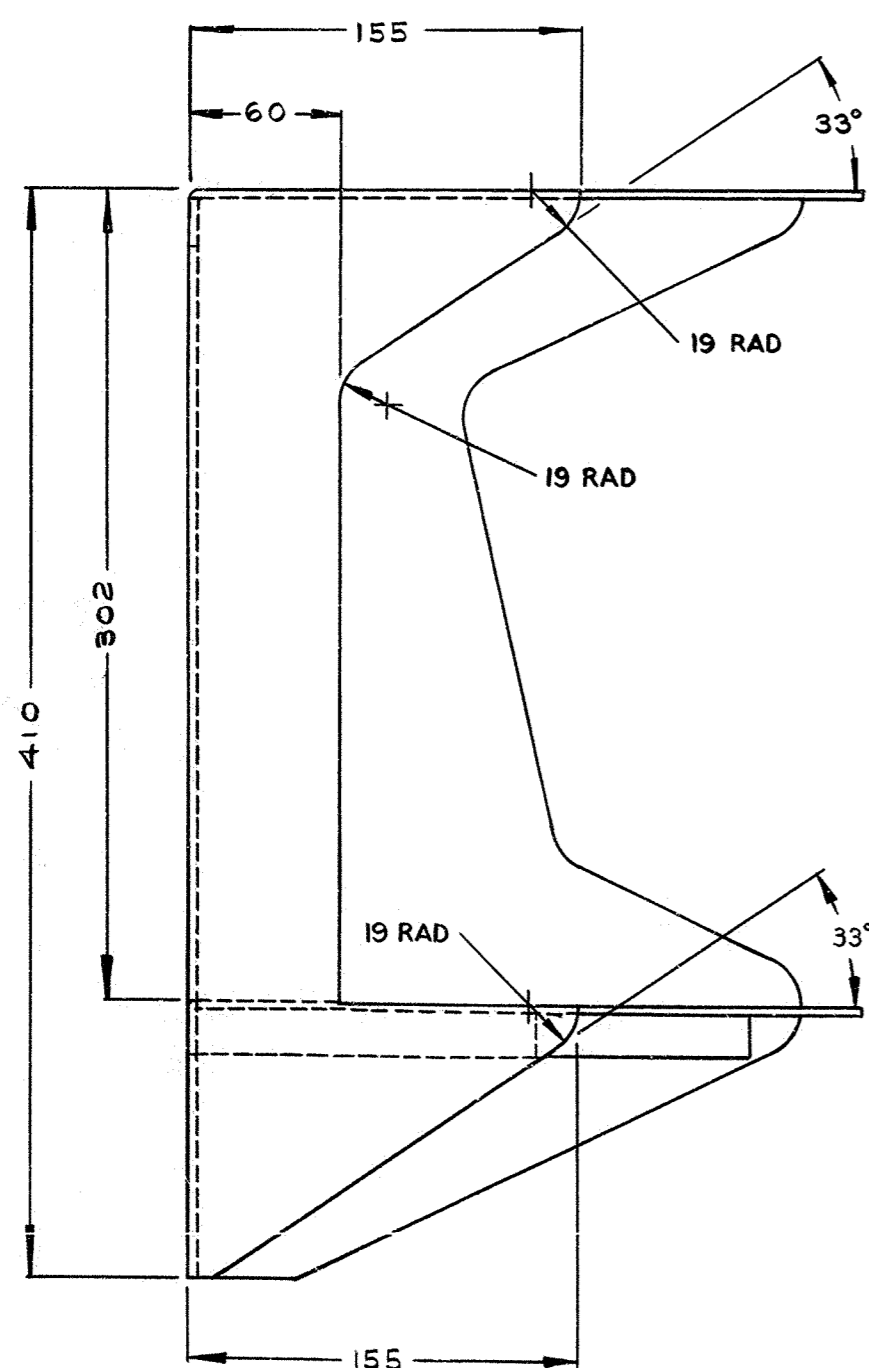


| MATERIAL SCHEDULE | | | |
|-------------------|------------------------------------|--|--------|
| REF | MATERIAL | FINISH | NO.OFF |
| A | STEEL CR HH 4GP SPEC BS1449 2mm | SPEC M306, COLOUR BLACK 00-E-53 SPEC BS 4800 ; GLOSS AS MEASURED BY SPEC BS 3900 PART D5,60°, TO BE 55-65% THICKNESS TO BE 95-135µm. | 1 |
| B | STEEL CR HH 4GP SPEC BS1449 2mm | | 1 |

FOR IMPERIAL VERSION AND ALTERNATIVE CONSTRUCTION SEE SHEET 1.



MARKING
5.....
(SEE SPEC D1000)

WELDED CONSTRUCTION

DIMENSIONS IN MILLIMETRES

BRITISH TELECOMMUNICATIONS 1984 DO NOT SCALE

ORIGINAL SCALE 1:2

| | |
|------|----------------------------|
| A1 | DRN NCB CKD PE |
| A2 | CERTIFICATION <i>PE</i> |
| R701 | DATE 24-2-84 |

TOLERANCES UNLESS OTHERWISE STATED TO BE
NIL DEC PLACES ± 0.4 mm
ONE DEC PLACE ± 0.2 mm
ANGLES ± 1/2°

MATERIAL AS ABOVE
FINISH AS ABOVE

REFERENCES SPECS D1000, M306
BS1449, BS 3900, BS 4800

CONTAINER NO.5 R.H.
(RIGHT HAND VERSION)

AMENDMENT

ISSUE

BRITISH TELECOMMUNICATIONS HEADQUARTERS CE4.2.1

91091 SHEET 2