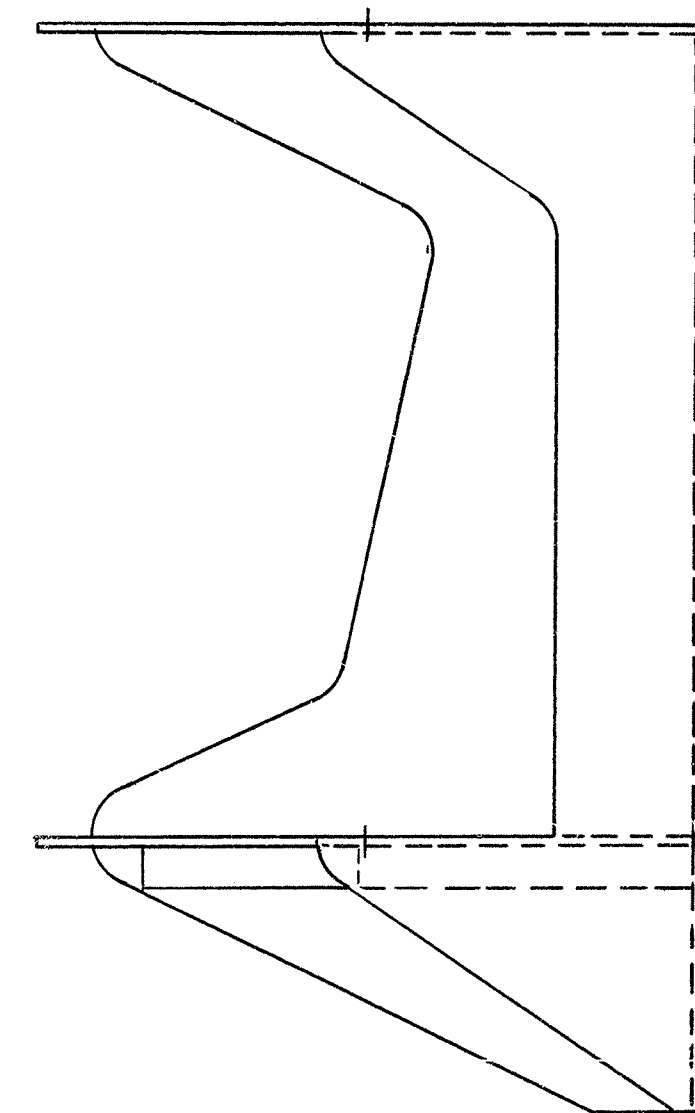
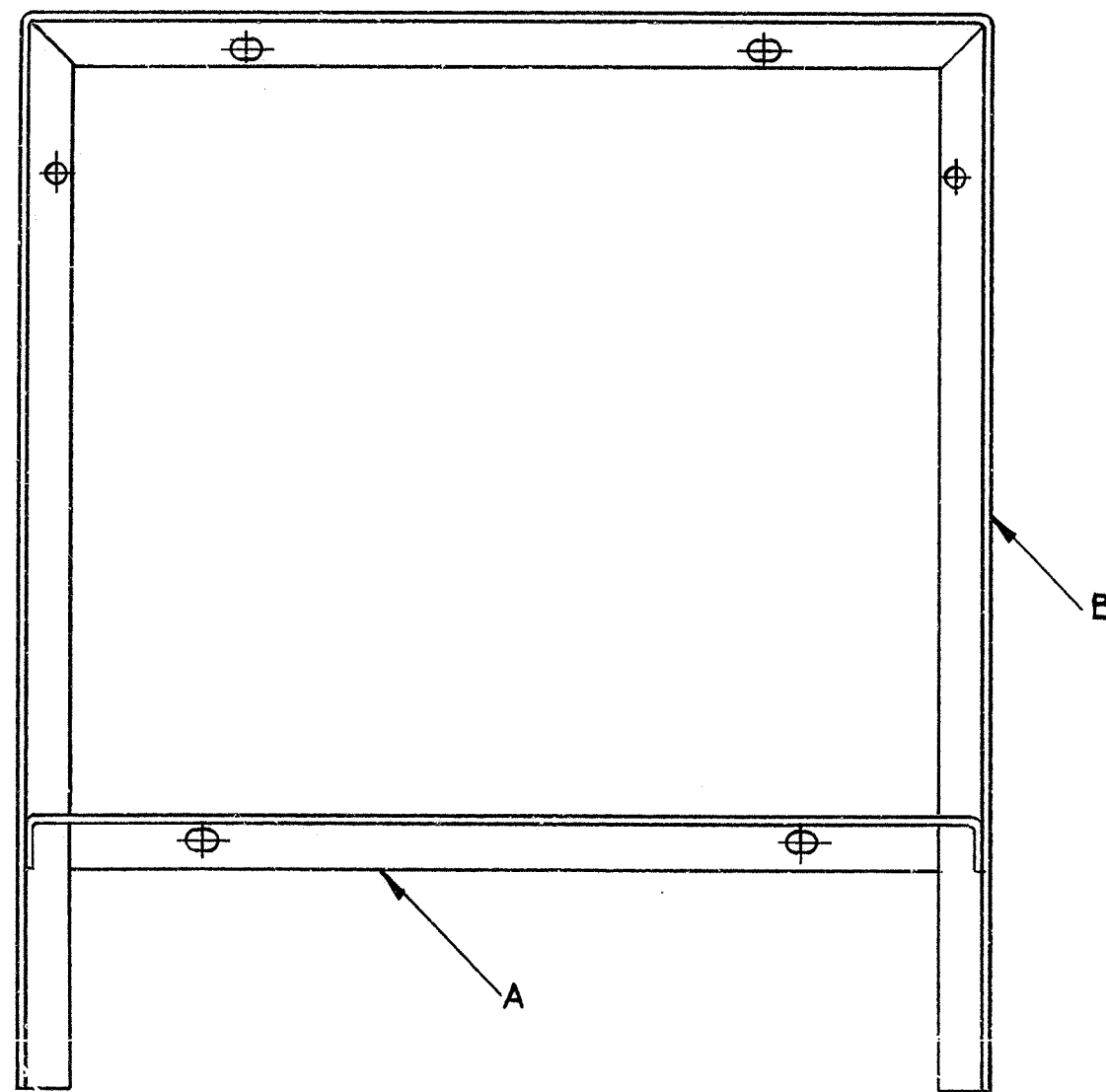
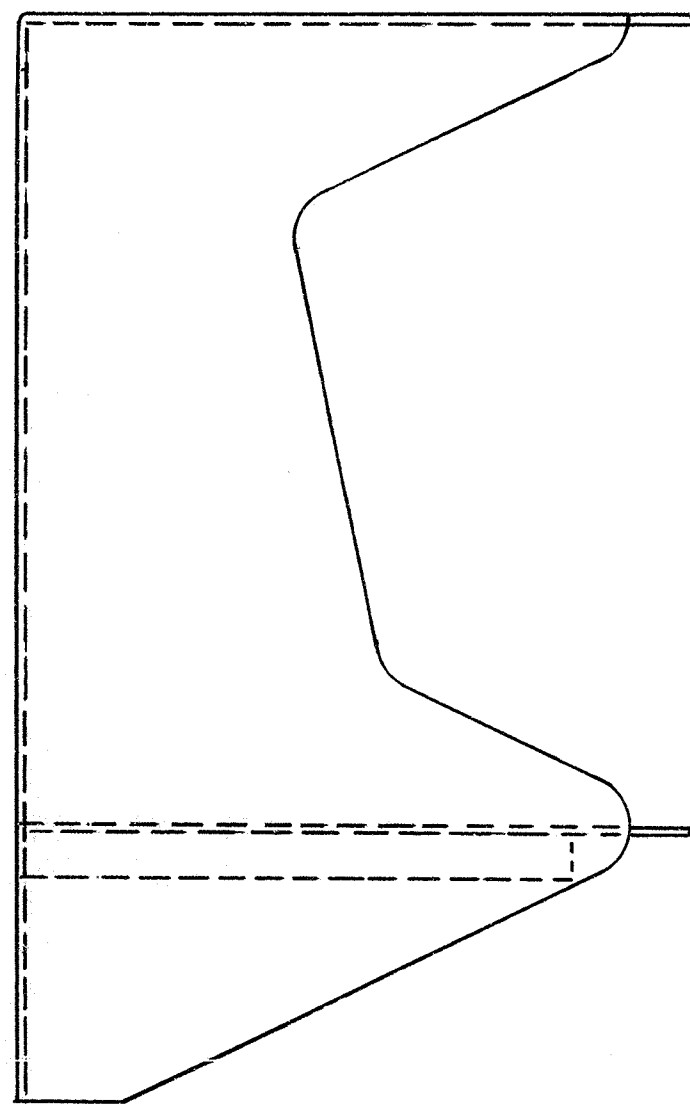


NOTES:-

- 1. FOR DIMENSIONS ETC. SEE OPPOSITE HAND DRAWINGS ON SHEETS 1 OR 2



A

B

C

D

A1	DRN R.L.F
	CKD
A2	CERTIFICATION
	<i>P. Kelly</i>
R701	DATE 24-2-84

MATERIAL	FINISH
SEE SHEETS 1&2	SEE SHEETS 1&2

REFERENCES SEE SHEETS 1&2

CONTAINER NO.5 L.H.
(LEFT HAND VERSION)