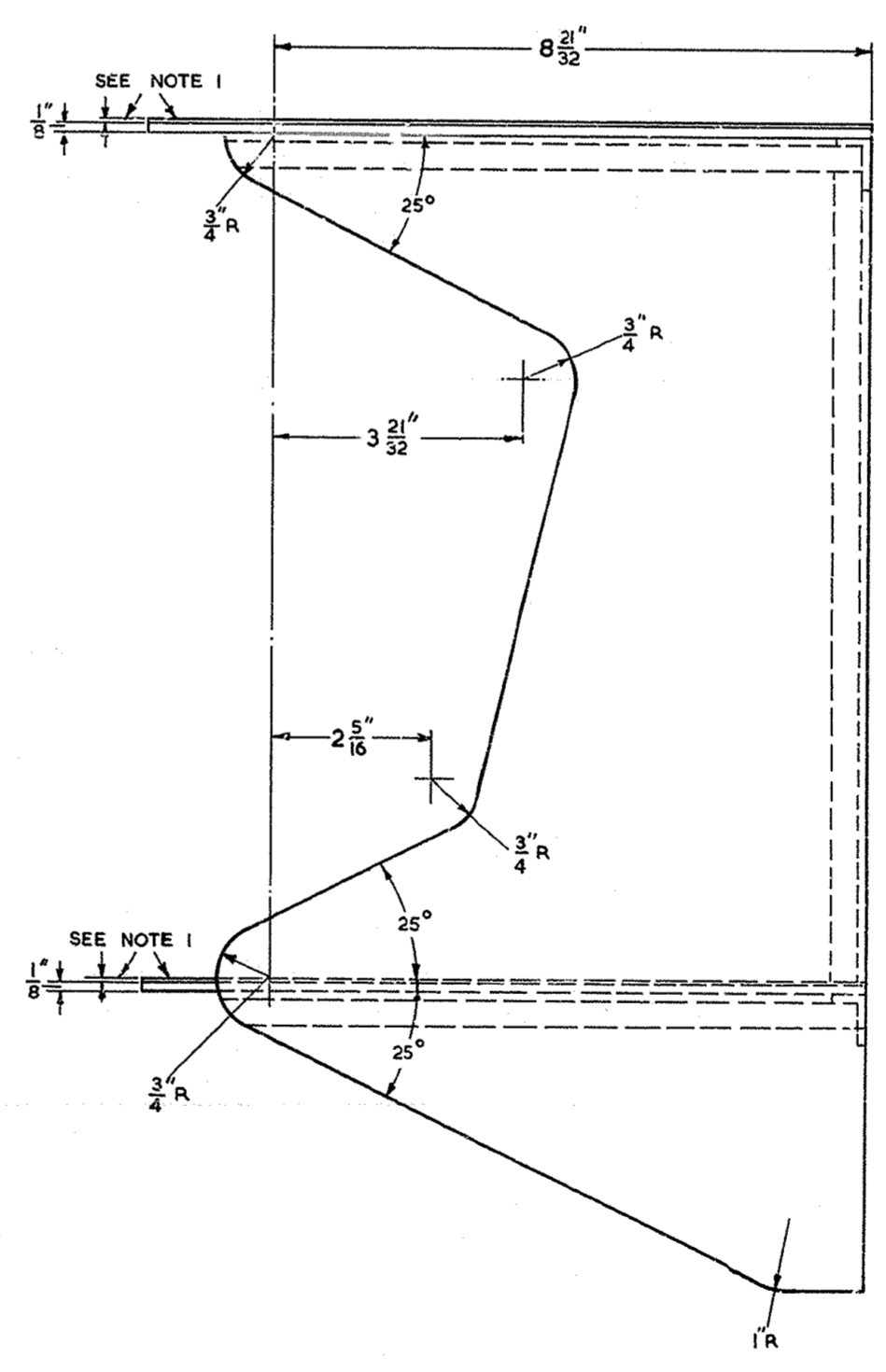
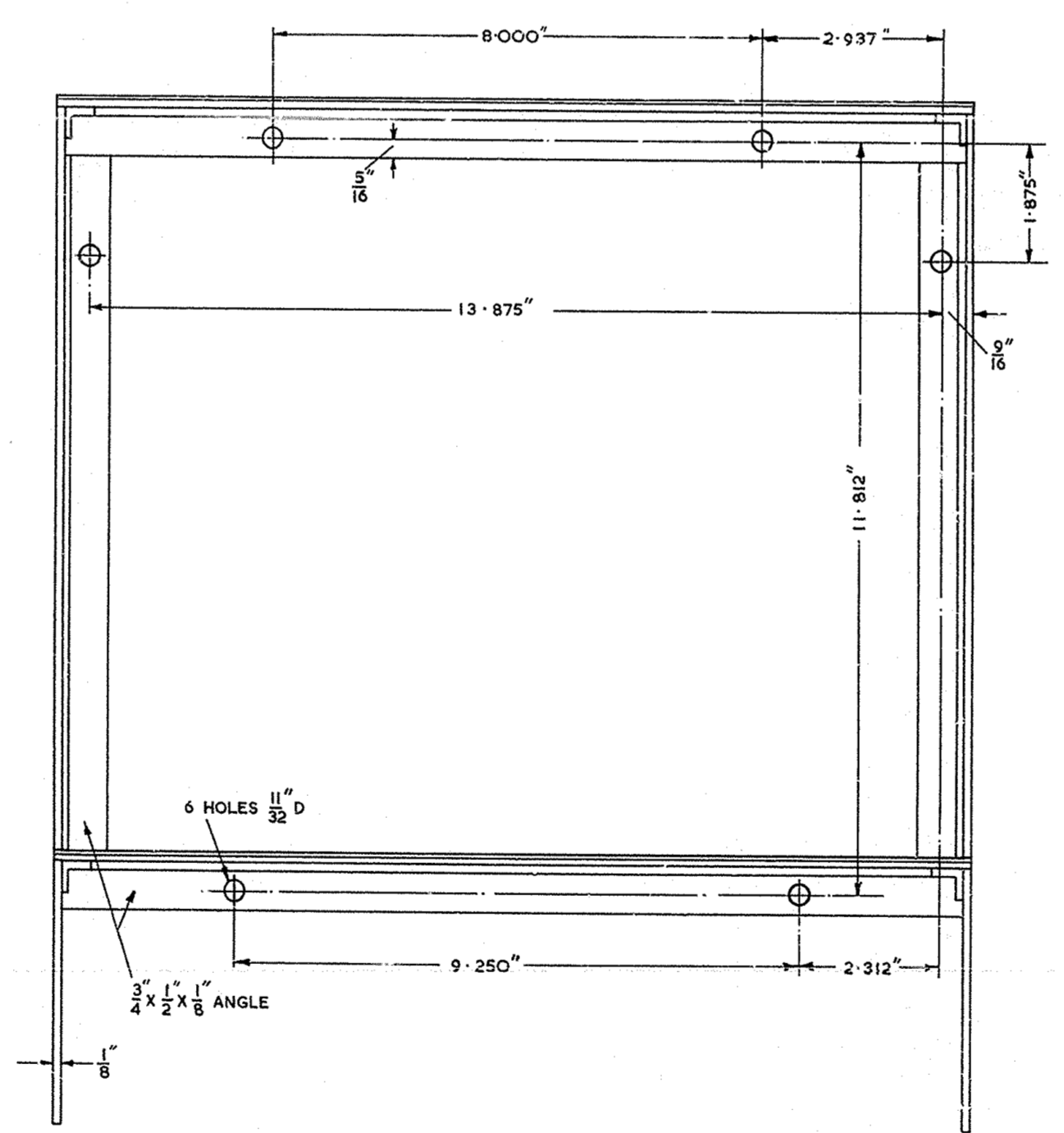
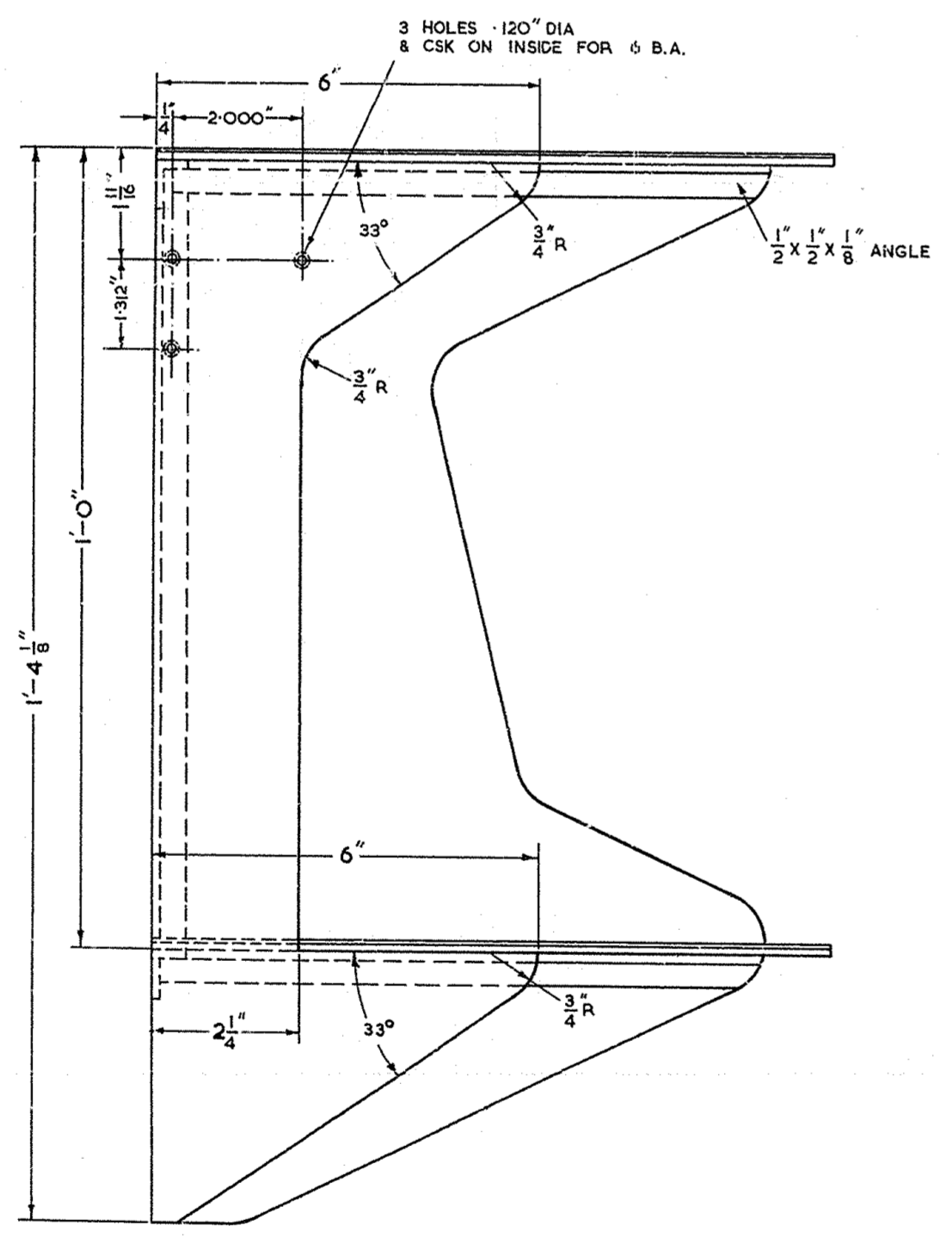
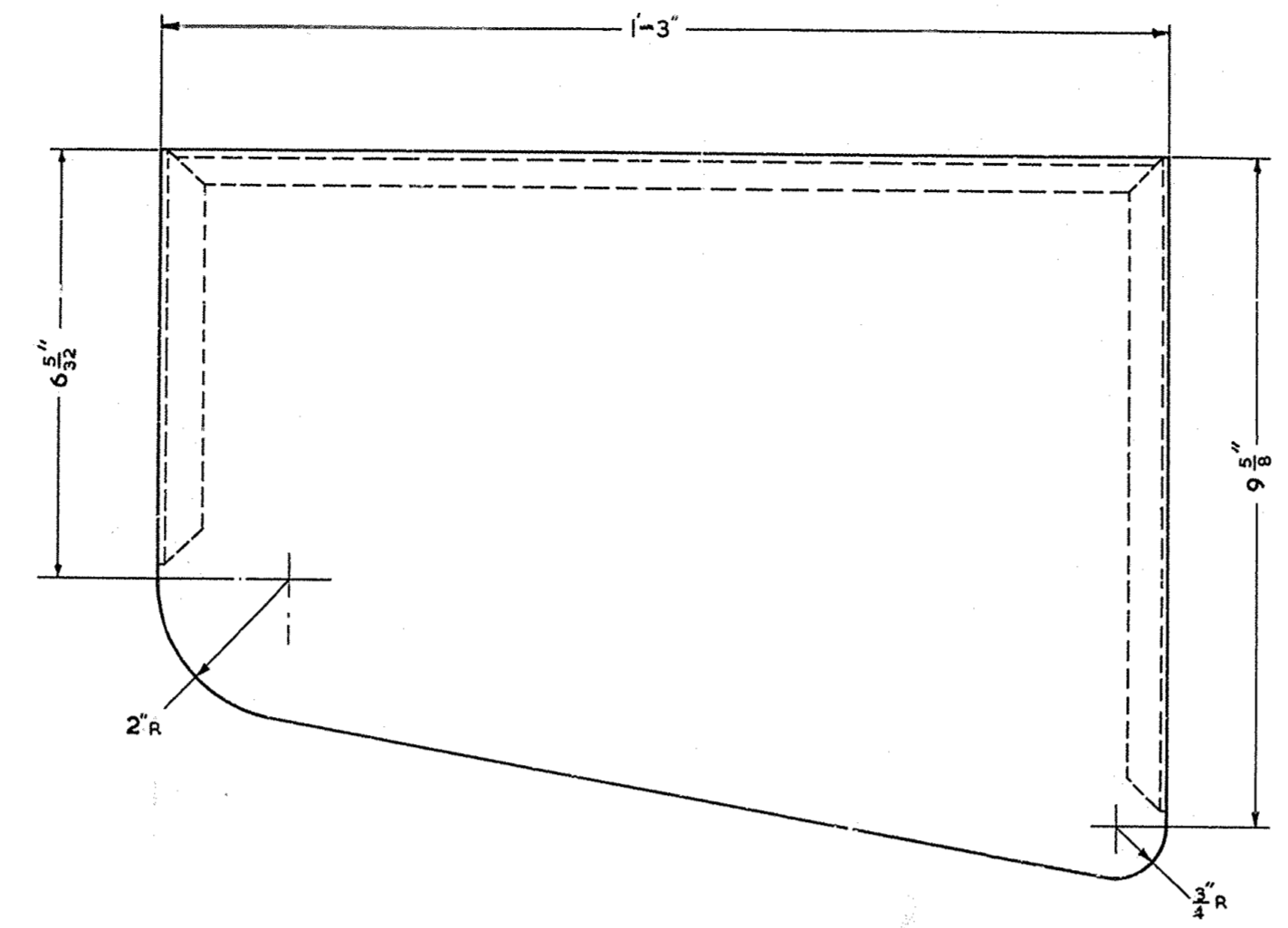


DRG 91104

POST OFFICE ENGINEERING DEPT	
S RANCH	
DISTRIBUTION	
RESTRICTED	
REFERENCES	
	SPEC D1475
	D1475
	BS1323
ASSEMBLY DRG.	WIRING DGM.
91091	—
FILE 2282/20	SPEC D1475
SCALE — 1 AND AS 2 INDICATED	THIRD ANGLE PROJECTION
REGULAR DIMENSIONS NOT TOLERANCED SUBJECT TO	
APP'D IN SI SECTION	DRN <i>[Signature]</i>
	TEC. <i>[Signature]</i>
	CHK. <i>[Signature]</i>
	DATE 12. 12. 58
AMENDMENT	SUFFIX
LOWER SHELF EXTENDED TO FULL WIDTH (FRONT VIEW) <i>mes 2/2 1/2</i>	A



MATERIAL } RIVETED CONSTRUCTION.  
FINISH } SEE SPEC. D1475

- NOTES
1. SR BR TYPE I, BLACK, SPEC. BS 1323 3/4, BONDED TO METAL BY AN APPROVED ADHESIVE. (SEE SPEC. D1475)
  2. MANUFACTURERS MAY USE A PREFERRED METHOD OF CONSTRUCTION, BUT DIMENSIONS & FIXING CENTRES MUST NOT BE ALTERED.

FOR SUPERSED

CONTAINER No.5.  
DETAIL

DRG 91104