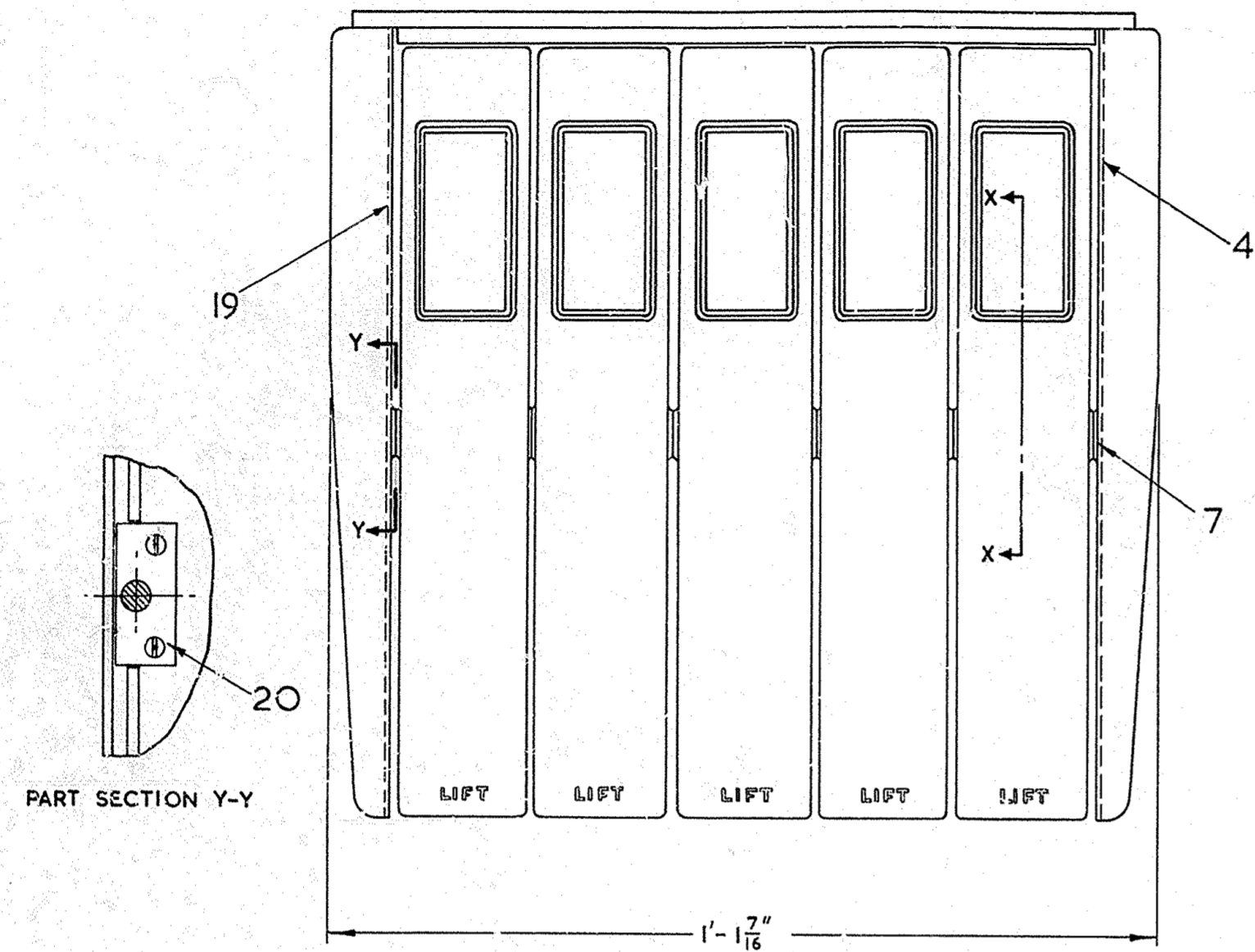
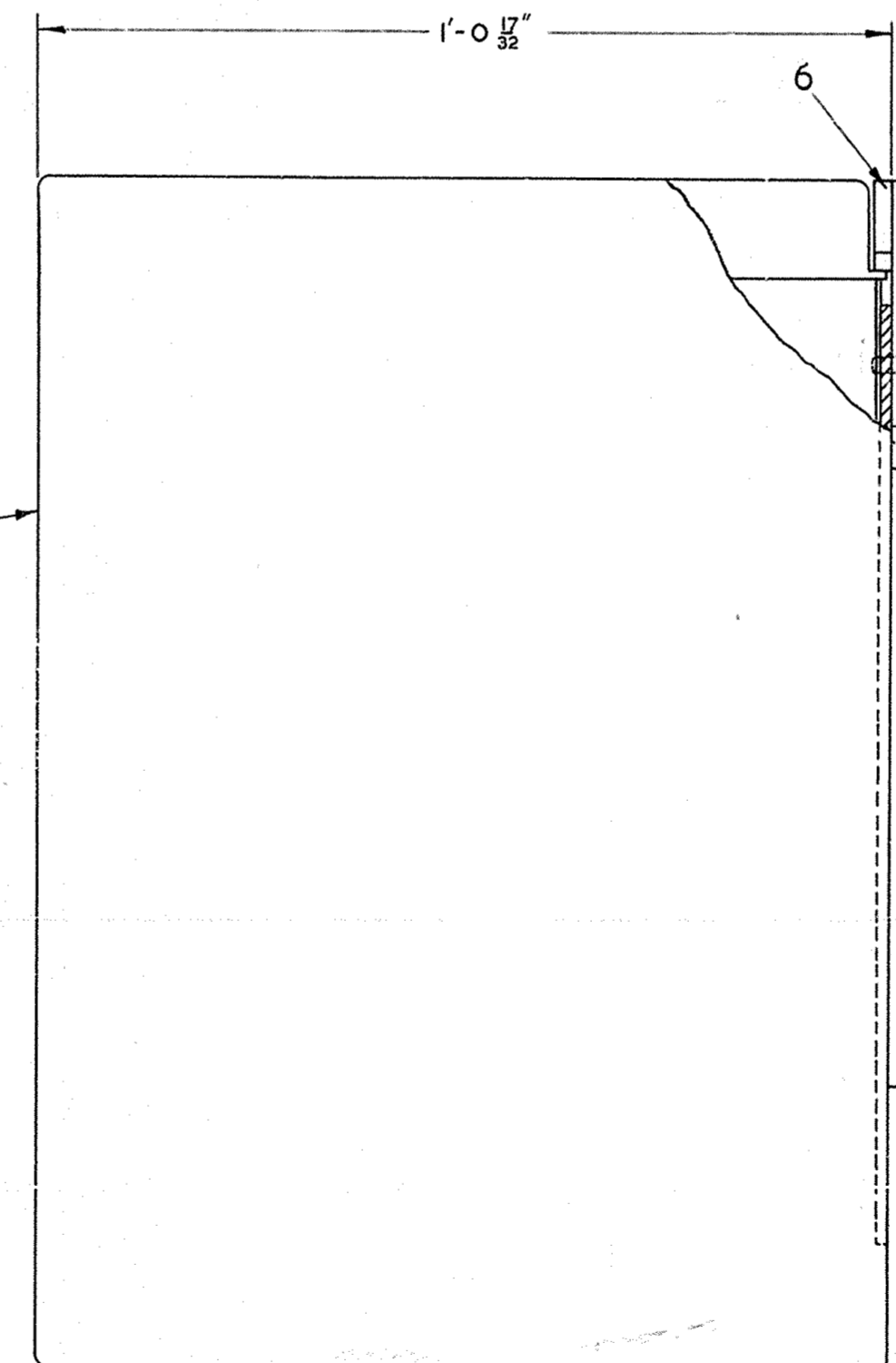
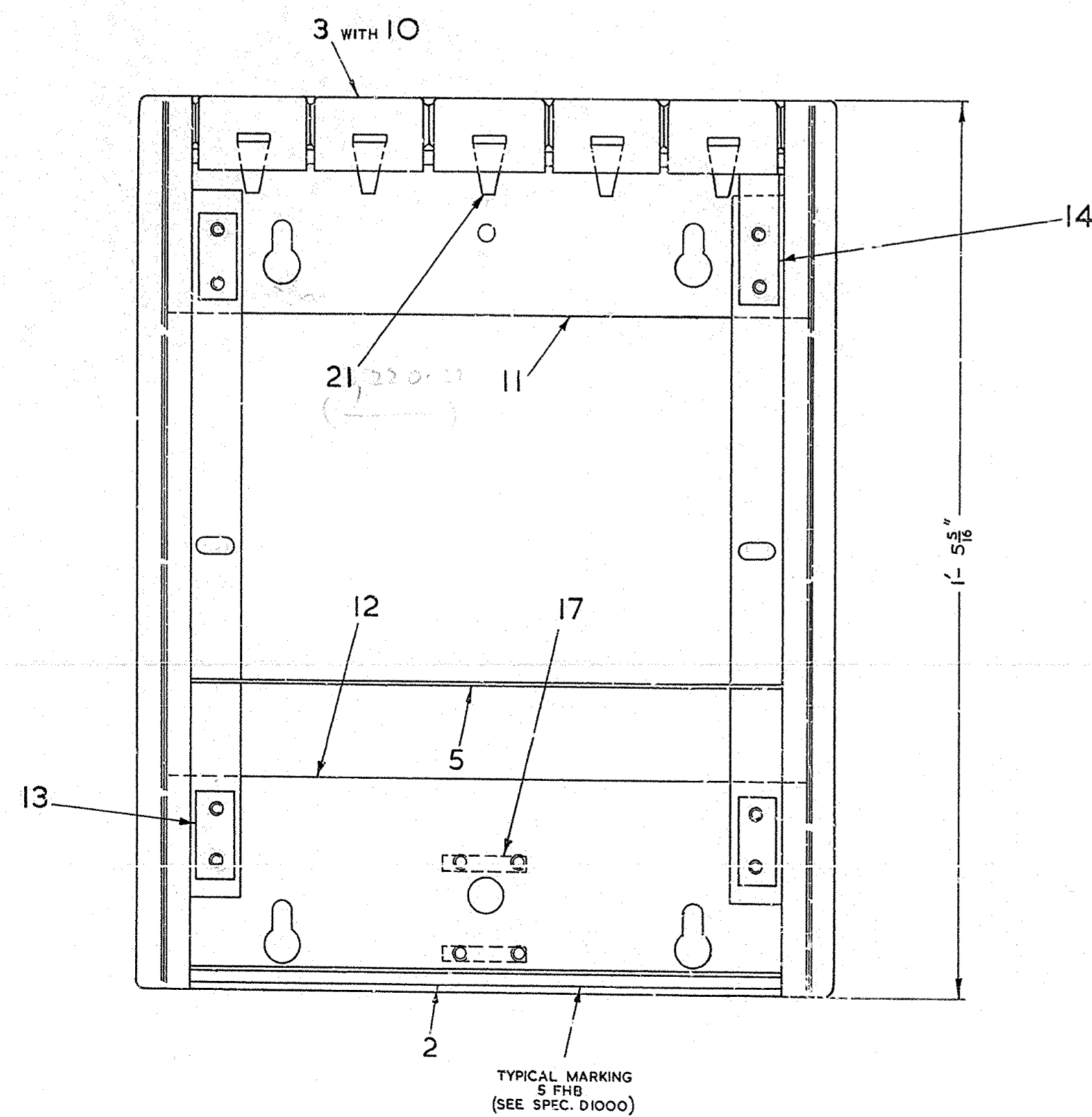


DRG 91297 SHEET 1-5

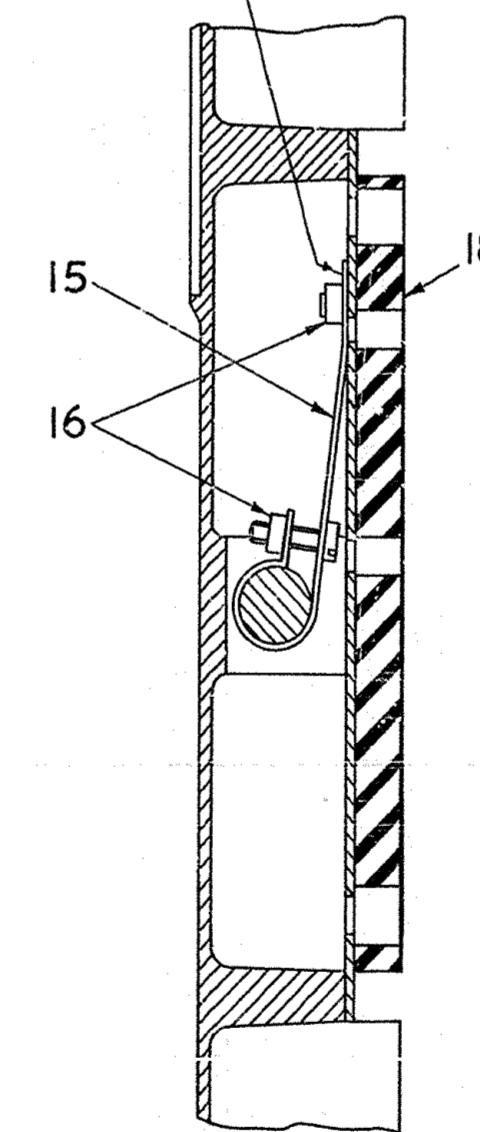


SCHEDULE							
ITEM	DESCRIPTION	DRG.	No. OFF	SCREWS, ETC.	MTL.	FINISH	No. OFF
1	DETAIL 1	91297 SHEET 2	2	GRUB SC. 6-8-A-X 1/4"	M.S.	ZN.P.	2
2	DETAIL 2	91297 SHEET 2	1				
3	DETAIL 3	91297 SHEET 2	1	SC. 2 B.A. X 1/2" CSK. HD.	M.S.	NI. P.	2
4	DETAIL 4 (RIGHT HAND)	91297 SHEET 2	1	SELF TAPPING No. 6 X 1/2" CSK. HD. (TYPE Z OR EQUIV.)	M.S.	ZN.P.	6
5	DETAIL 5	91297 SHEET 2	1	SELF TAPPING No. 6 X 1/2" CSK. HD. (S.K.N. TYPE Z OR EQUIV.)	M.S.	ZN.P.	8
6	DETAIL 6	91297 SHEET 2	1	SC. 4 B.A. X 1/2" CSK. HD.	M.S.	ZN.P.	5
7	DETAIL 7	91297 SHEET 2	2				
8	DETAIL 8	91297 SHEET 2	5				
9	DETAIL 9	91297 SHEET 2	1				
10	DETAIL 10	91297 SHEET 3	5	GRUB SC. 1/4" B.S.F. X 1/2" SOCKET HD.	M.S.	ZN.P.	5
11	DETAIL 11	91297 SHEET 4	1				
12	DETAIL 12	91297 SHEET 4	1				
13	DETAIL 13	91297 SHEET 4	3	SC. O.B.A. X 1/2" CSK. HD.	M.S.	NI. P.	6
14	DETAIL 14	91237 SHEET 4	1	SC. O.B.A. X 1/2" CSK. HD.	M.S.	NI. P.	2
15	DETAIL 15	91297 SHEET 4	5	SC. 4 B.A. X 1/2" CH. HD.	M.S.	NI. P.	10
16	DETAIL 16	91297 SHEET 4	10	SC. 4 B.A. X 1/2" RD. HD.	M.S.	NI. P.	10
17	DETAIL 17	91297 SHEET 4	2	SC. 4 B.A. X 1" CH. HD.	M.S.	BLACK	4
18	DETAIL 18	91297 SHEET 4	5	SC. SELF TAPPING No. 8 X 3/8" RD. HD.	M.S.	NI. P.	20
19	DETAIL 19 (LEFT HAND)	91297 SHEET 5	1	SC. SELF TAPPING No. 6 X 1/2" CSK. HD.	M.S.	NI. P.	6
20	DETAIL 20	91297 SHEET 5	1	SC. 2 B.A. X 1/2" CSK. HD.	M.S.	NI. P.	2
21 *	PART 1/DRO/60 (ROD, RETAINING)	DRO/60					
	PART 1/DRO/61 (ROD, RETAINING)	DRO/61					
	PART 1/DRO/62 (ROD, RETAINING)	DRO/62					

* ITEM 21 WILL ALWAYS COMPRISE 5 RODS, RETAINING. THE TYPE TO BE REQUISITIONED SEPARATELY AS REQUIRED



CONTACT SURFACE ON UNDERSIDE TO BE COATED WITH LANOLAC QUICK DRYING PAINT MESSRS. CRODA LTD.



POST OFFICE ENGINEERING DEPT.
S BRANCH
DISTRIBUTION RESTRICTED
PO
REFERENCES
SEE SCHED. SPEC. D1000
ASSEMBLY DRG. WIRING DGM
FILE B11G/16 SPEC D 1475
SCALE - 1/2 AND AS THIRD ANGLE PROJECTION
DECIMAL DIMENSIONS NOT TOLERANCED SUBJECT TO
App'd IN SI SECTION DRN -
TCD M.S.S.
CKD J.E.L.
DATE 8-12-60

AMENDMENT SUFFIX
DETAIL 9 DELETED, DETAILS 11-18 ADDED. PART SECTION X-X ADDED AND NOTE DELETED. DETAILS 4 AND 5 WERE FITTED BY PHILLIPS SC. SHEETS 4 & 5 ADDED. W.L. 8-5-62
ITEMS 4, 5, & 19 SELF TAPPING SCREWS WERE No. 8 X 1/4". ITEM 5, SCREWS, No. OFF WAS 4. ITEM 1 GRUB SC. DELETED. ITEM 8, SELF TAPPING SCREWS WERE CSK. HD. SECTION Y-Y ALTERED PICTORIALY. F.R.J. 8-3-63
ITEM 8 DELETED, ITEM 21 ADDED. S.H. 20.1.64
PART 21 WAS ONLY DRO/60 PART SECTION X-X. AMENDED 10/1/65

FOR SUPERSED

HOLDER, DIRECTORY
No. 5
ASSEMBLY

DRG 91297 SHEET 1-5