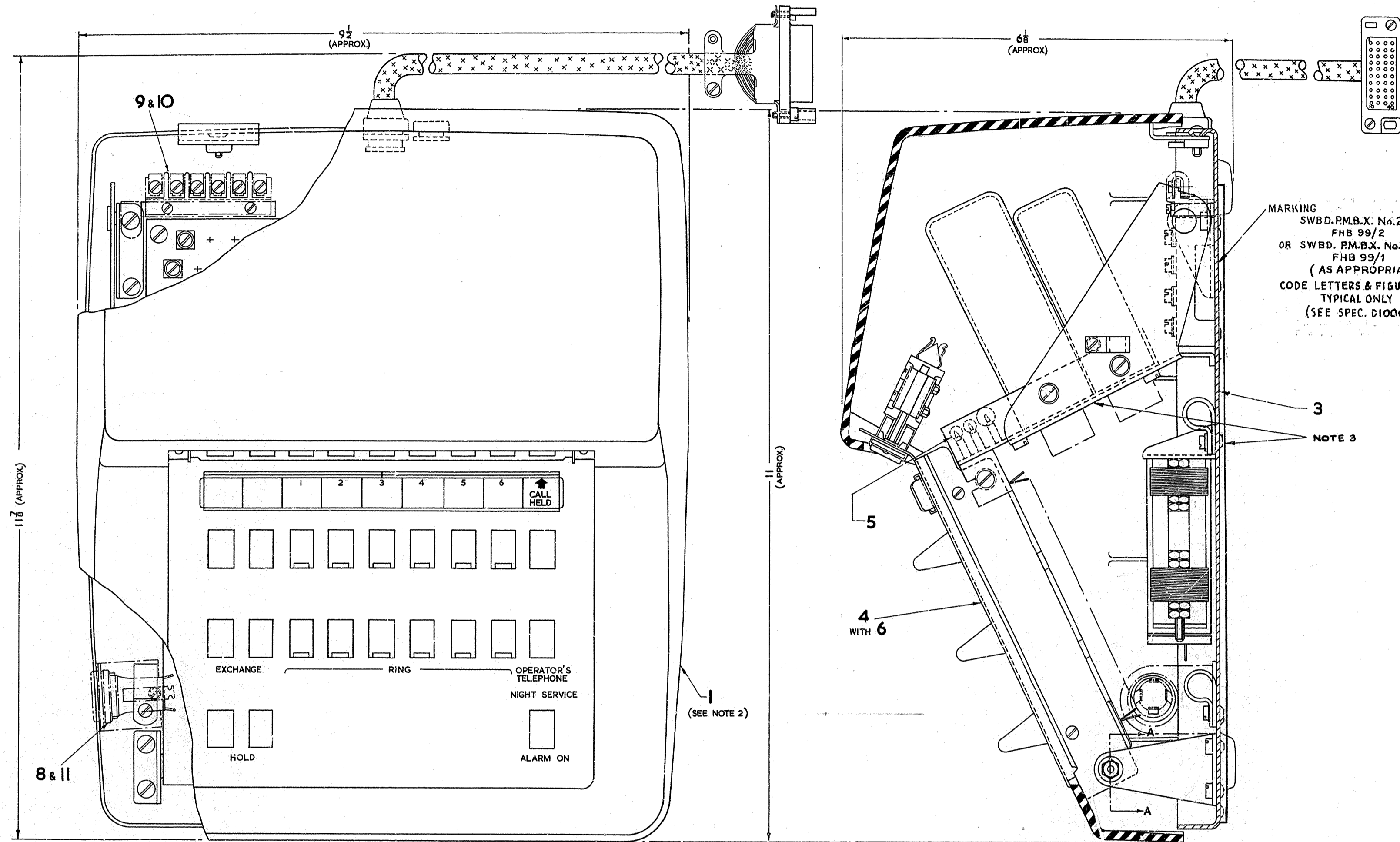
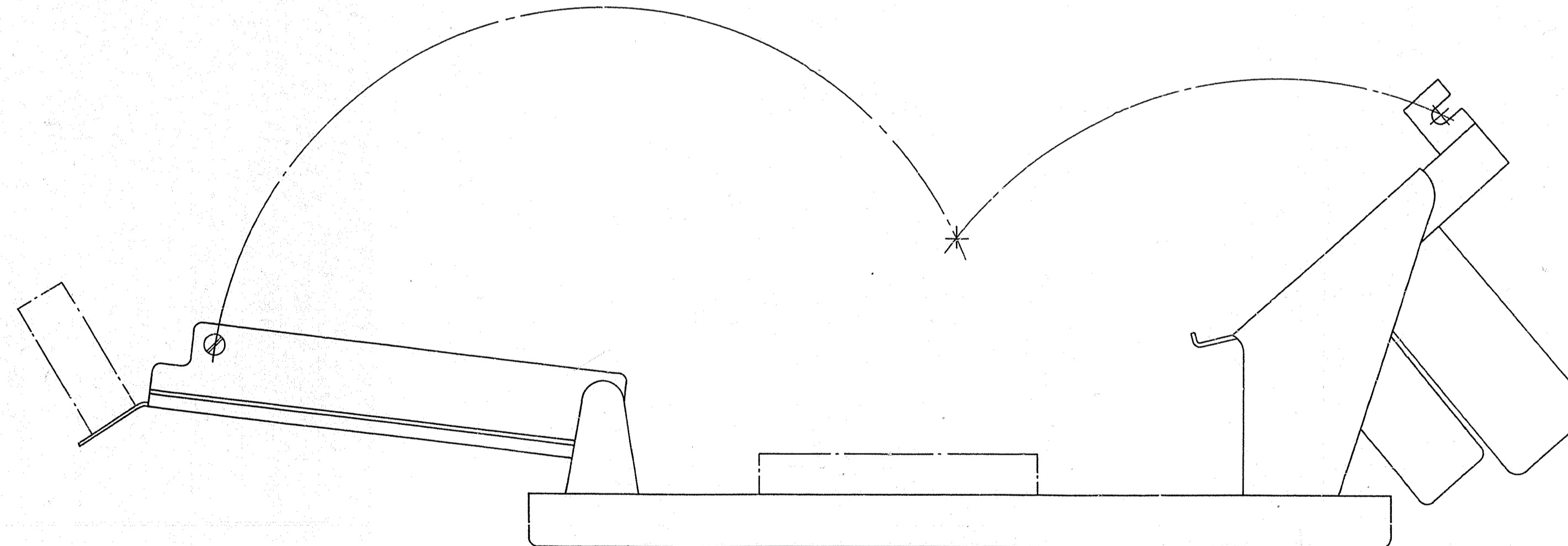


DRG 91508/1



VIEW WITH COVER & BASE IN SECTION

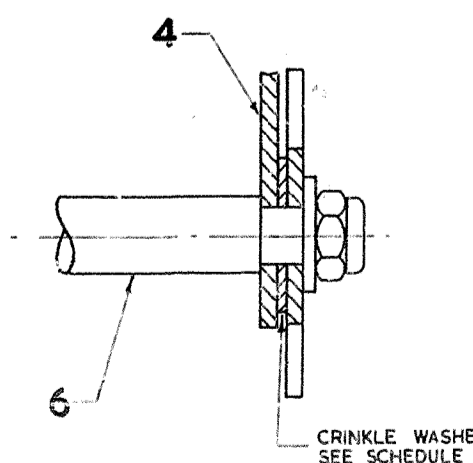


VIEW WITH COVER REMOVED SHOWING HINGED KEY & RELAY PLATES IN OPEN POSITION

ITEM	QTY	DESCRIPTION	SCHEDULE			SCREWS, ETC.	MTL.	FINISH	No OFF
			DRG.	SPEC.	No OFF				
1	-	COVER, SWITCHBOARD No.1, GREY	91516/1	-	1				
2	-	LABEL-DIAGRAM	DGMLD639 SHEET 2	-	1				
3	-	BASEPLATE SUB-ASSY & COMPONENT SCHEDULE	91577	-	1				
4	-	KEY-PLATE SUB-ASSY & COMPONENT SCHEDULE	91578	-	1	SC 4 B.A. X 5/16 CH. HD.	M.S.	ZN.P/LAC OR PASS.	2
5	-	RELAY PLATE SUB-ASSEMBLY & COMPONENT SCHEDULE	91579	-	1	SC 4 B.A. X 3/8 CH. HD.	M.S.	ZN.P/LAC OR PASS.	4
6	-	PART 1/DPI/225 (PIVOT)	DPI/225	-	1	NUT, SELF-LOCKING, SIMMONDS NYLOC TYPE PT/BO46 (OR EQUIV) WASHER, THOMAS HADDOCK & STOKES LTD BIRMINGHAM, TYPE BERYLLIUM COPPER 'CRINKLE' WASHER 2 B.A. (OR EQUIV) WASHER 4 B.A. LARGE	-	-	2
7	-	COVER, SWITCHBOARD No.1, GREY (SEE NOTE 2)	91927	-	1				
8	-	JACK No. B4C	90841	-	1				
9	-	PART 2/DST/836 (STRIP, CONNEXION)	DST/836	-	1				
10	-	PART 1/DBR/433 (BRACKET, MOUNTING)	DBR/433	-	1	SC 4 B.A. X 1/4 CH. HD.	M.S.	ZN.P/LAC OR PASS.	1
11	-	PART 1/DBR/434 (BRACKET, JACK)	DBR/434	-	1	SC 6 B.A. X 5/16 CH. HD.	M.S.	ZN.P/LAC OR PASS.	1

NOTES:- 1. DIMENSIONS ARE FOR REFERENCE PURPOSES ONLY.  
2. ITEM 7 WHEN REQD. SEPARATELY, REPLACES ITEM 1 WHICH SHOULD BE RETURNED TO STORES.  
3. DRGS. 91577 & 91579 SHOW THE DIFFERING ARRANGEMENTS FOR SWBDS P.M.B.X. Nos. 2/2A & 2/2B.

COLOUR - GREY  
Ø REPLACABLE ITEM.  
\* ITEMS TO BE REQUISITIONED SEPARATELY & FITTED LOCALLY WHEN REQD.



SECTION A - A

SCALE - 2/1

DO NOT SCALE  
(A MICROFILM PROCESS PRINT)

DIMENSIONS IN INCHES

POST OFFICE TELECOMMUNICATIONS HEADQUARTERS	
DISTRIBUTION	
GENERAL	
PO	GENERAL
SEE SCHEDULE	SPEC. D1000 SPEC. 5629
ASSEMBLY DRG	WIRING DGM SAW 71631
FILES 2359	BITDC. SPEC 5629
SCALE - 1 AND AS INDICATED	THIRD ANGLE PROJECTION
DECIMAL DIMENSIONS NOT TOLERANCED	
SUBJECT TO	
App'd IN T/152 SECTION	DRN ET. LTD. T.C.D. E.C.C. STEVENS CKD CONTRS BRG.
DATE 28-12-61	
AMENDMENT	
NO.	SUFFIX
SEE SUPERSEDED DRG. FOR PREVIOUS AMENDMENTS. REMAINING ITEMS 7, 8, 9, 10, 11 AND NOTE 2 ADDED. S.D. 118 1-5-68	B
MAT. PROTECTING SHOWN C.A.C. 116 1-5-68	C
No. 2/2B (MK 1) ADDED TO TITLE ITEM 2 DELETED. NOTE 3 ADDED. REF. TO SELF ADHESIVE LABEL ADDED. 1-5-68	D
REF. TO ADHESIVE LABEL REMOVED. MARKING CHANGED. REF. TO ITEM 2 REMOVED. 2-12-68	E

FOR SUPERSED

SWITCHBOARDS  
P.M.B.X. No. 2/2A (MARK 2)  
AND No. 2/2B (MARK 1)

ASSEMBLY

DRG 91508/1

(E)  
N114B1