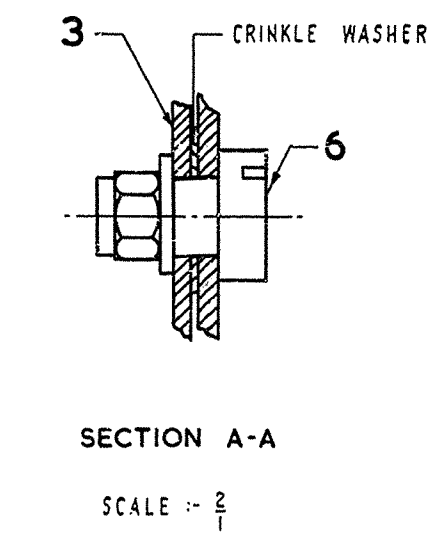
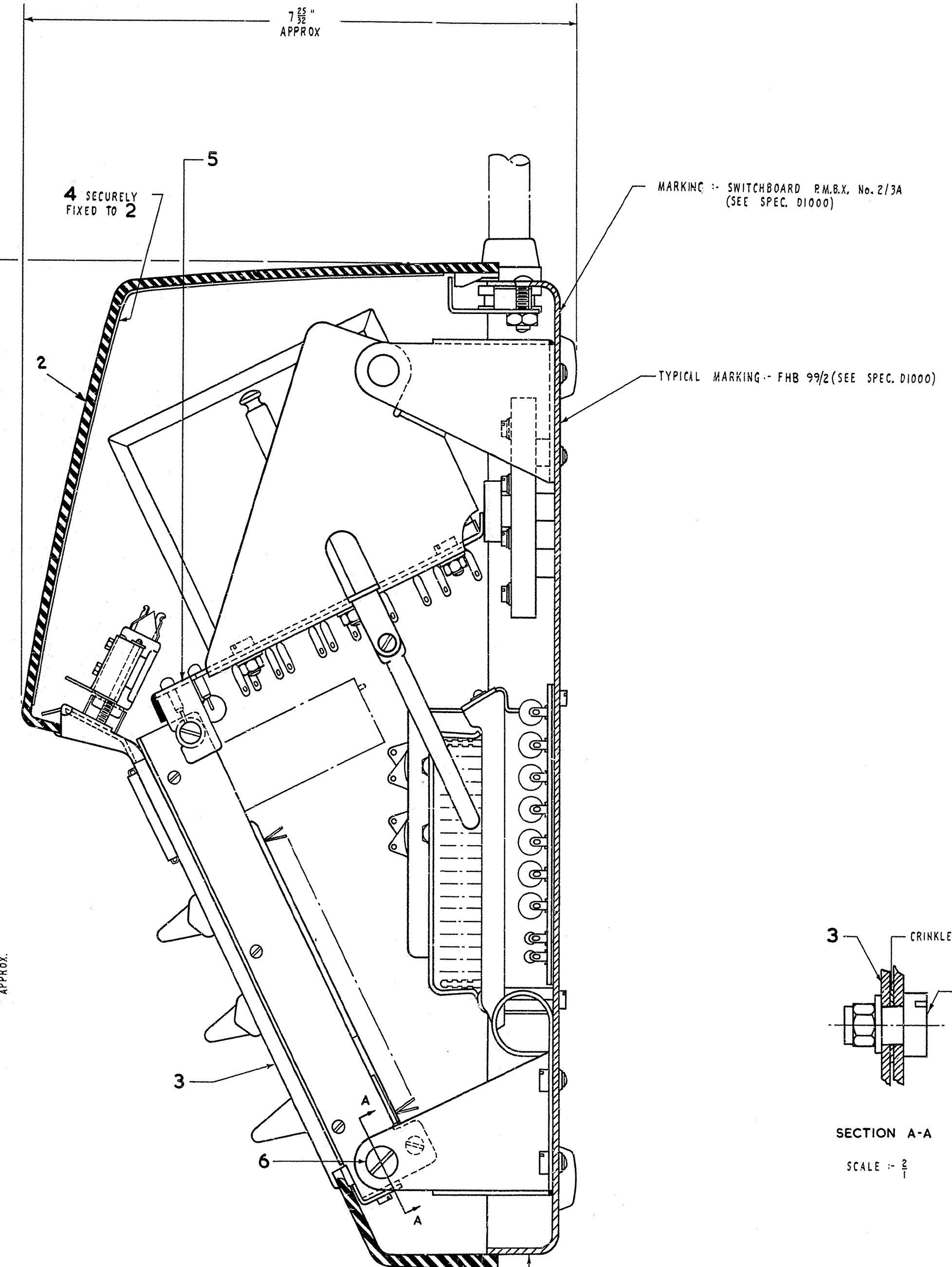
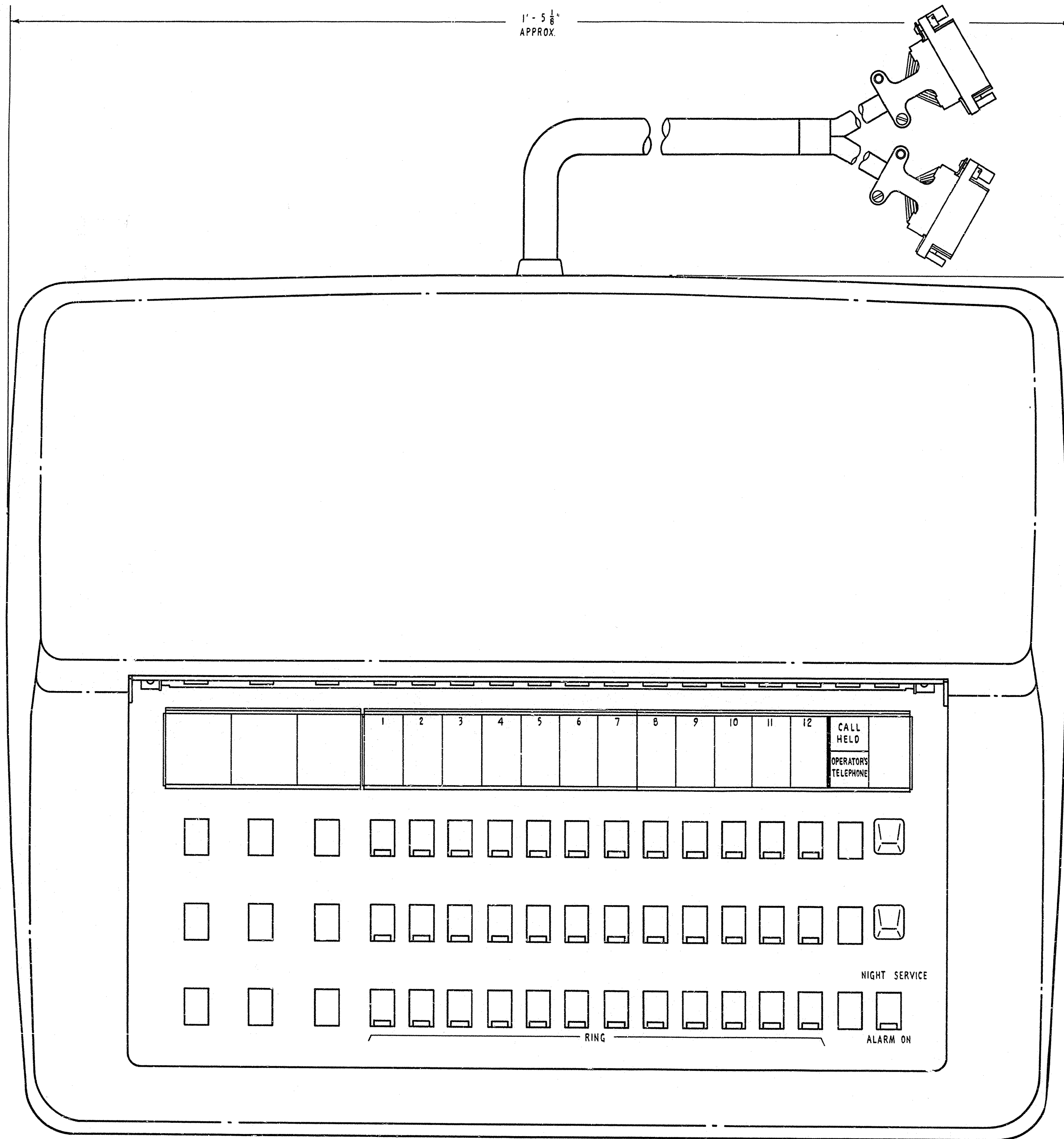
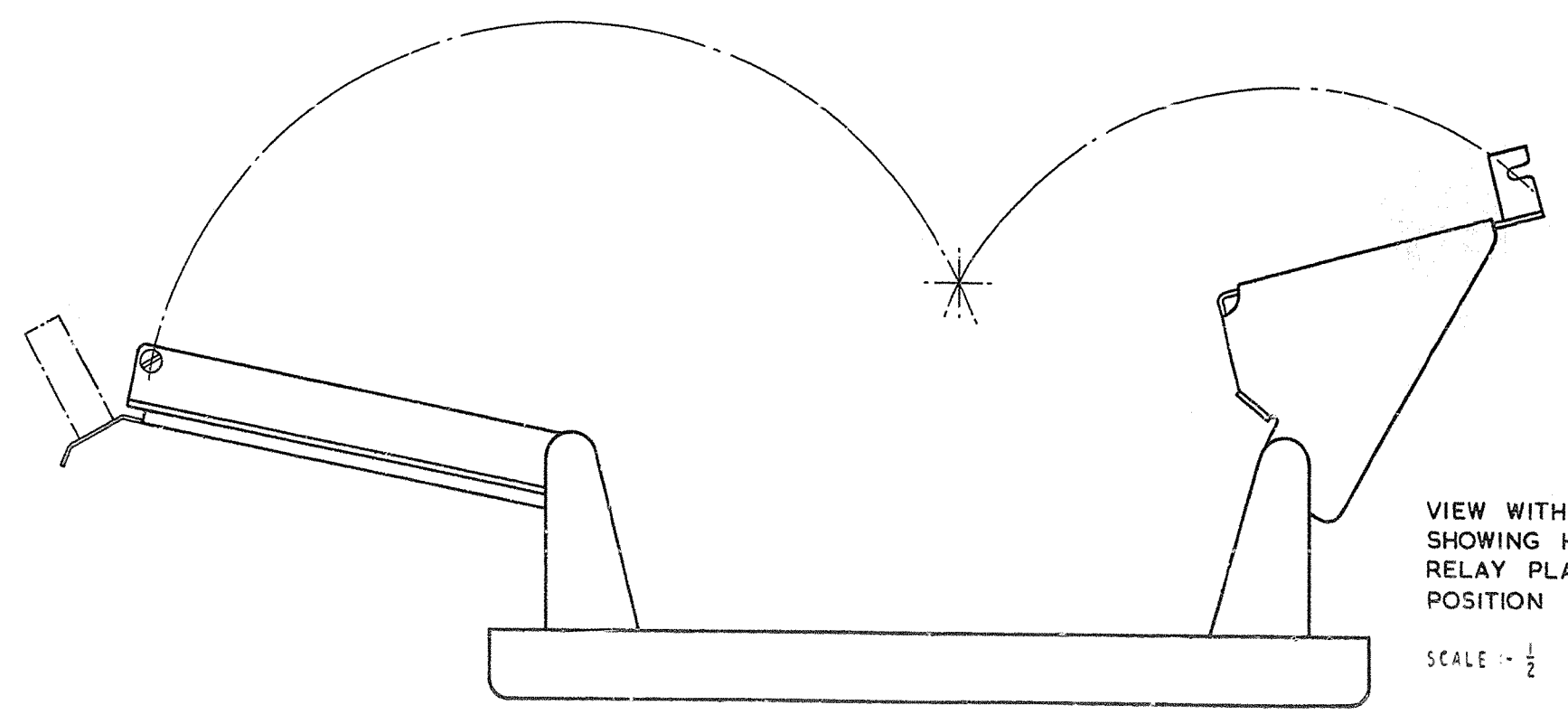


DRG 91687/1



VIEW WITH COVER AND BASE IN SECTION



SCHEDULE							
ITEM	DESCRIPTION	DRG.	No.OFF	SCREWS, ETC.	MTL.	FINISH	No.OFF
1	BASE PLATE, SUB-ASSY. & COMPONENT SCHEDULE	91690/1	1				
2	Ø COVER, SWITCHBOARD No. 2 (GREY)	91709	1				
3	KEY PLATE, SUB-ASSY. & COMPONENT SCHEDULE	91692/1	1	SC 2BA. x 3/8" CH. HD.	M.S.	ZN. P. & LIC. OR P.S.S.	2
4	Ø LABEL, DIAGRAM	DOWNMAN SHEET 2	1				
5	RELAY PLATE, SUB-ASSY. & COMPONENT SCHEDULE	91691/1	1	SCR 2BA. x 3/8" CH. HD. WASHER 2BA. SMALL NUT 2BA. REG. ORD.	M.S.	ZN. P. & LIC. OR P.S.S.	4
6	PART 1/DSC/466 (SCREW, 2BA, SPECIAL)	DSC/466	2	NUT, SELF-LOCKING, SIMMONDS NYLOC TYPE NP/8022 (OR EQUIVALENT) WASHER, THOMAS HADDON & STORES LTD, BIRMINGHAM TYPE BERYLLIUM COPPER CRINKLE WASHER 1/8" (OR EQUIV)			2
				WASHER 2BA. SMALL	M.S.	ZN. P. & LIC. OR P.S.S.	2

Ø REPLACEABLE ITEM

POST OFFICE ENGINEERING DEPT S BRANCH	
DISTRIBUTION	
GENERAL	
REFERENCES	
SEE SCHEDULE	SPEC. D1000
	5669
ASSEMBLY DRG.	WIRING DGM. LDI 64/1
FILE 53420	B.M.P.O.C. TECH. GEN. G. SPEC. 5669
SCALE: 1 AND AS INDICATED	THIRD ANGLE PROJECTION
DECIMAL DIMENSIONS NOT TOLERANCED SUBJECT TO	
APP'D IN 53 SECTION	DRN. E. LTD
	TCD. CKD CONTR. 648
	DATE: 9.10.62
AMENDMENT SUFFIX	
MINOR AMENDMENT TO BASE PLATE SUB-ASSEMBLY.	A
29.4.63	
SUPERSESSION NOTE ADDED.	
	B
	28.8.64

FOR SUPERSEDING ITEM FOR NEW WORK SEE DRG. 91687/2

SWITCHBOARD P.M.B.X.
No. 2/3A
(MARK 2)
ASSEMBLY

DRG 91687/1