

POST OFFICE ENGINEERING; DEPT. S
BRANCH

DISTRIBUTION GENERAL

REFERENCES
SPEC. D. 1000
DGM. NB49
ASSEMBLY DRG. WIRING. DGM. NB49

FILE 1744
TECH. SPEC. S. 852
AND AS 3RD. ANGLE
SCALE: 1:1 INDICATED PROJECTION
DECIMAL DIMENSIONS NOT TOLERANCED
SUBJECT TO

APPRO'D. IN S1 SECTION DRN. (S.E.C. T.C.D.)
744 *W. J. ...* CKD CONTINUED & PA

DATE: 2-9-64

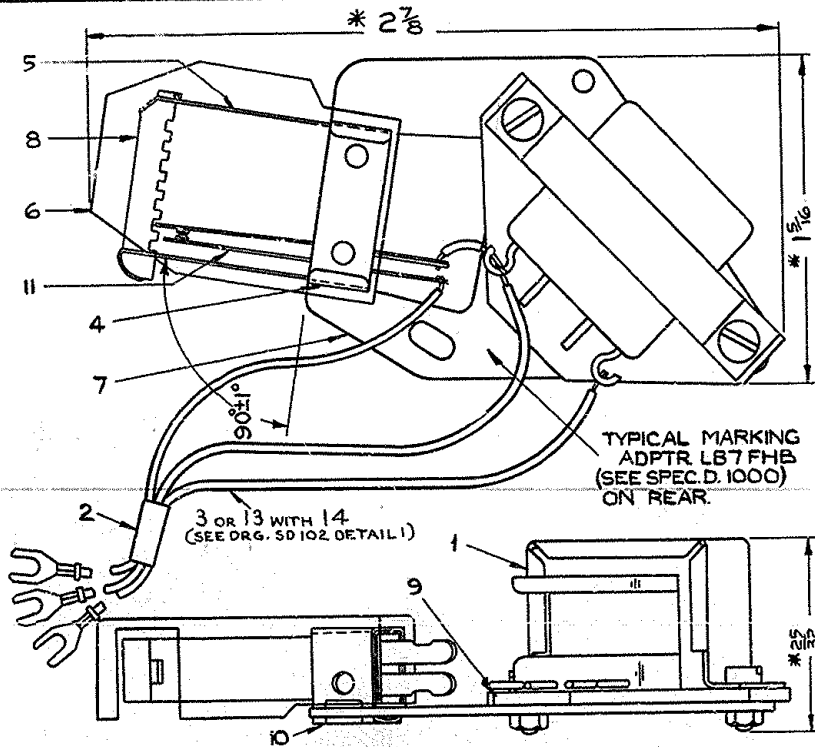
AMENDMENT SUFFIX A

ITEM DELETED BY ALTN. CON. DELETED BY 30-4-65

FOR SUPERSED

ADAPTER,
LOCAL BATTERY No. 7
ASSEMBLY

DRG. 91894



SCHEDULE									
ITEM	DESCRIPTION	DRG	SPEC	No. OFF	No. OFF	SCREWS ETC.	MATERIAL	FINISH	No. OFF
1	Ø INDUCTOR COIL No. 153A	CD1513		1	1	SC SBAX 3/8 CH. HD NUTS & BA. HEX. ORD.	BR	N.P.M.T.	2/10
2	Ø SLEEVING, SYNTHETIC RUBBER			1	1				
3	Ø WIRE P.V.C. No. 325/004, 8 1/2"		CM104	3					
4	Ø PART 1/DCL/537 (CLIP SPRING-SET)	DCL/537		1	1				
5	Ø PART 1/DCL/529 (CLIP SPRING-SET)	DCL/529		1	1				
6	Ø PART 2/DCO/666 (COVER SPRING-SET)	DCO/666		1	1				
7	Ø PART 1/DMO/85 (MOUNTING ADAPTER)	DMO/85		1	1				
8	Ø PART 1/DPL/2057 (PLATE, COMB)	DPL/2057		1	1				
9	Ø PART 1/DPL/887 (PLATE, INSULATING)	DPL/887		1	1				
10	Ø PART 1/DPL/2059 (PLATE, RETAINING)	DPL/2059		1	1				
11	Ø PART 1/OSP/1268 (SPRING-SET ASSY.)	OSP/1268		1	1				
12	Ø PART 1/STA/163 (TAG)	STA/163		3					
13	Ø WIRE P.V.C. No. 3, 14/0048, 8 1/2"		DM5	3	3	SC SBAX 3/8 CH. HD SECURELY ATTACHED TO EACH ADAPTER	MS	Z.N.P.	2
14	Ø PART 1/STA/188 (TAG)	STA/188		3	3				

DRG. 91894

(c)
DRG. 97340

Ø REPLACEABLE ITEM
* FOR REFERENCE PURPOSES ONLY.
DIMENSIONS IN INCHES