

POST OFFICE ENGINEERING DEPT.
S BRANCH

DISTRIBUTION
GENERAL

PO

REFERENCES
SEE SCHED. SPEC D1000

ASSEMBLY DRG. WIRING DGM.

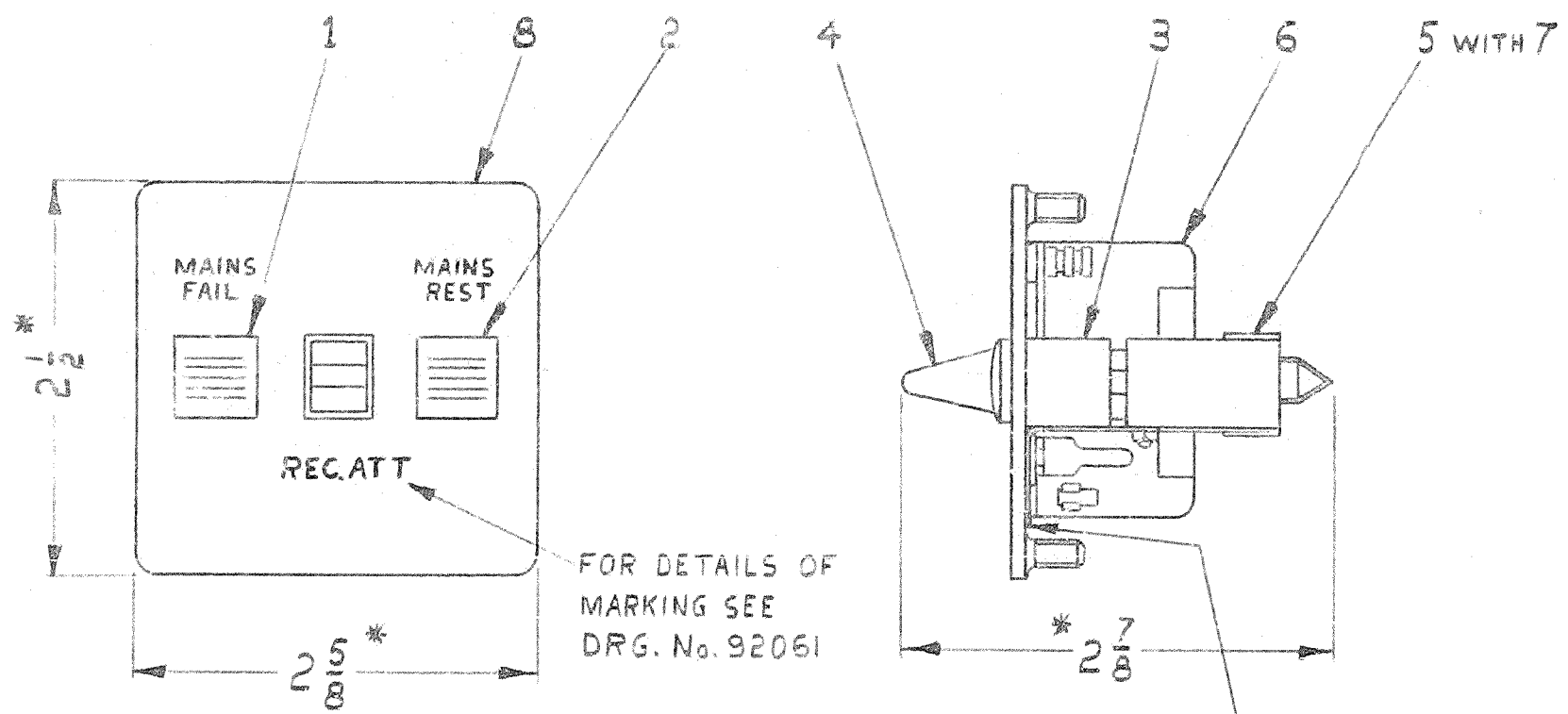
FILE SPEC.

SCALE: $\frac{1}{1}$ AND AS INDICATED 3RD ANGLE PROJECTION

DECIMAL DIMENSIONS NOT TOLERANCED SUBJECT TO

APPD. IN 53/2 SECTION DAM. M. G. P.
KVP
E. G. G. G. TCD.
CKD. *A.*
DATE 17th DEC. '63

C 147
S/DO



FOR DETAILS OF MARKING SEE DRG. No. 92061

TYPICAL MARKING
KEY & LAMP UNIT 5A
FHB 99/1
(SEE SPEC. D1000)

SCHEDULE								
ITEM	DESCRIPTION	DRG.	SPEC	No OFF	SCREWS ETC.	MTL	FINISH	No OFF
1	CAP, LAMP No. 79A - RED	91662		1				
2	CAP, LAMP No. 79A - GREEN	91662		1				
3	COVER, LAMP No. 6A	91663		2				
4	HANDLE, KEY No. 18/16	91713		1				
5	TACK, LAMP No. 57A	91722		2	SCREW, 8BA x $\frac{5}{8}$, CH. HD. NUT, 8BA, HEX. ORD.	M.S.	NI.P.	2
6	KEY No. 1301	91209		1		M.S.	NI.P.	2
7	LAMP No. 2. - 45V	CD259		2				
8	DETAIL I. (PANEL)	92061		1				

* FOR REFERENCE ONLY

DIMENSIONS IN INCHES

AMENDMENT

SUFFIX

FOR SUPERSED

KEY &
LAMP UNIT
5A
(ASSEMBLY)

TRIM TO THESE LINES 13' X 16'