

POST OFFICE ENGINEERING DEPT.
S
BRANCH

DISTRIBUTION
GENERAL

P.O.

REFERENCES

SEE SCHEDULE SPEC. D 1000

DRG. SD.102 (DGM.NB4) SPEC. S.952

ASSEMBLY DRG. WIRING DGM. N 848

FILE E.T.P.C. SPEC. S.952

AND AS 3RD ANGLE

SCALE: - 1 INDICATED PROJECTION

DECIMAL DIMENSIONS NOT TOLERANCED

SUBJECT TO -

APP'D. IN S1 SECTION (DRN) GEC.

Tcd. J. G. C. AD CONTRA

DATE 2.9.64

AMENDMENT SUFFIX

ITEM 2 ALTN. CON. DELETED

S.B. 2/8 30.4.65 A

WIRING DGM. REF. ADDED

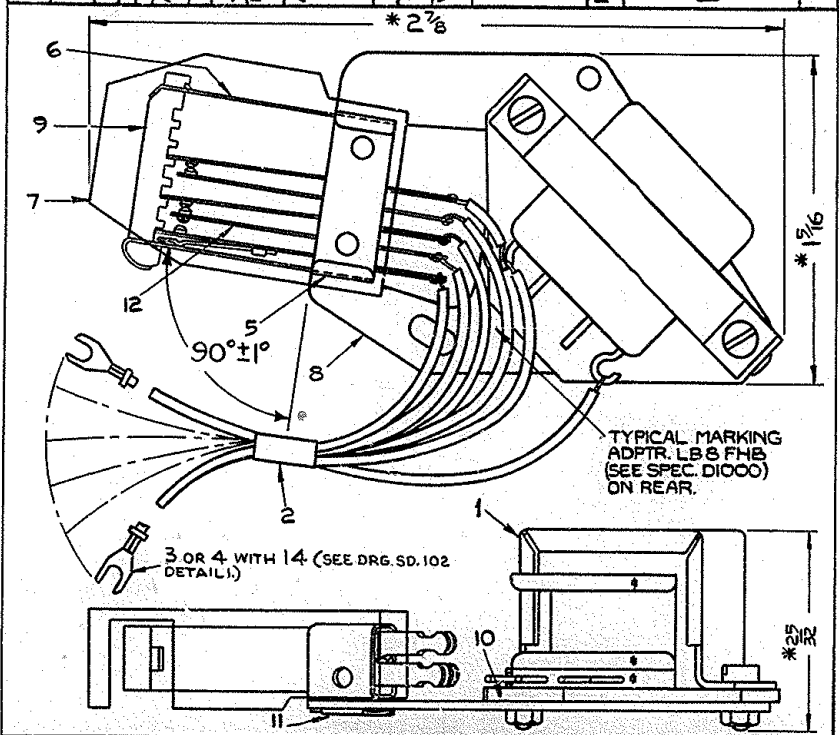
2/8 4.8.65 B

FOR SUPERSUED

ADAPTER,
LOCAL BATTERY No.8
(ASSEMBLY)

DRG. 92126

13-6 1964 Q.E.T. 25



SCHEDULE

ITEM	DESCRIPTION	DRG.	SPEC	No. OFF	OFF	SCREWS ETC.	MATERIAL	FINISH	No. OFF
1	INDUCTOR, COIL No. 153A	CD.153		1	1	SC8BA X 3/16 CH-LHD NUT & BA HEX ORD	BR	N.P.M.T	100
2	SLEEVING, SYNTHETIC RUBBER 1/4"			1	1		BR	N.P.M.T	
3	WIRE P.V.C. No. 3, 25/004, 8 1/2"		CM09	6	6				
4	WIRE, P.V.C. No. 3, 14/0048, 8 1/2"		CM09	6	6				
5	PART 1/DCL/537 (CLIP, SPRING-SET)	DCL/537		1	1				
6	PART 1/DCL/529 (CLIP, SPRING-SET)	DCL/529		1	1				
7	PART 2/DCO/666 (COVER, SPRING-SET)	DCO/666		1	1				
8	PART 1/DMO/85 (MOUNTING, ADAPTER)	DMO/85		1	1				
9	PART 1/DPL/2057 (PLATE, COMB)	DPL/2057		1	1				
10	PART 1/DPL/887 (PLATE, INSULATING)	DPL/887		1	1				
11	PART 1/DPL/2059 (PLATE, RETAINING)	DPL/2059		1	1				
12	PART 4/DSP/1268 (SPRING-SET, ASSY)	DSP/1268		1	1				
13	PART 1/STA/163 (TAG)	STA/163		6	6				
14	PART 1/STA/188 (TAG)	STA/188		6	6				

SC8BA X 3/16 CH-LHD
SECURELY
ATTACHED TO
EACH ADAPTER.

MS Z.N.P. 2

DRG. 97553

Ø REPLACEABLE ITEM.
* FOR REFERENCE PURPOSES ONLY.

DIMENSIONS IN INCHES

DRG. 92126

(C)