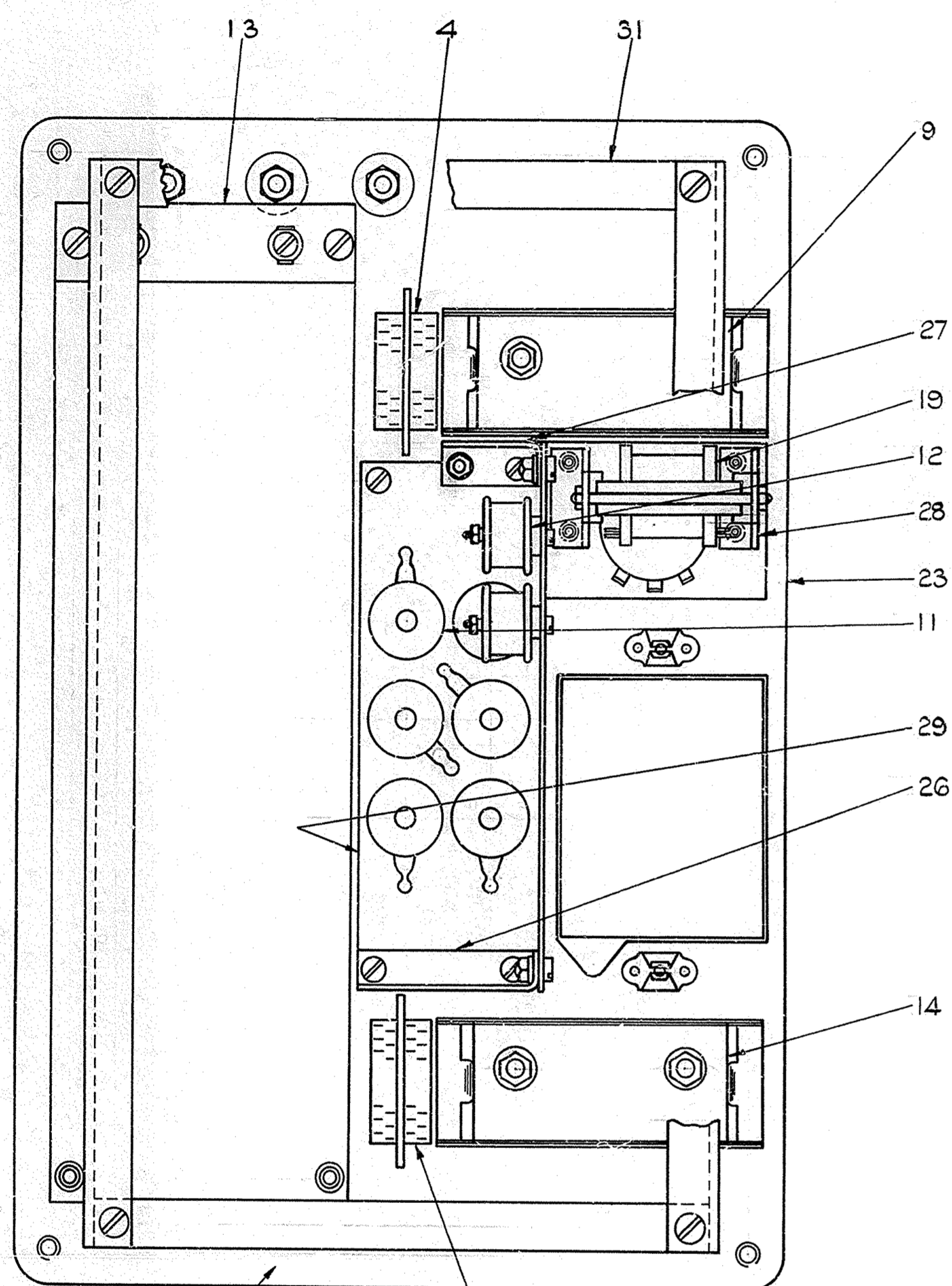
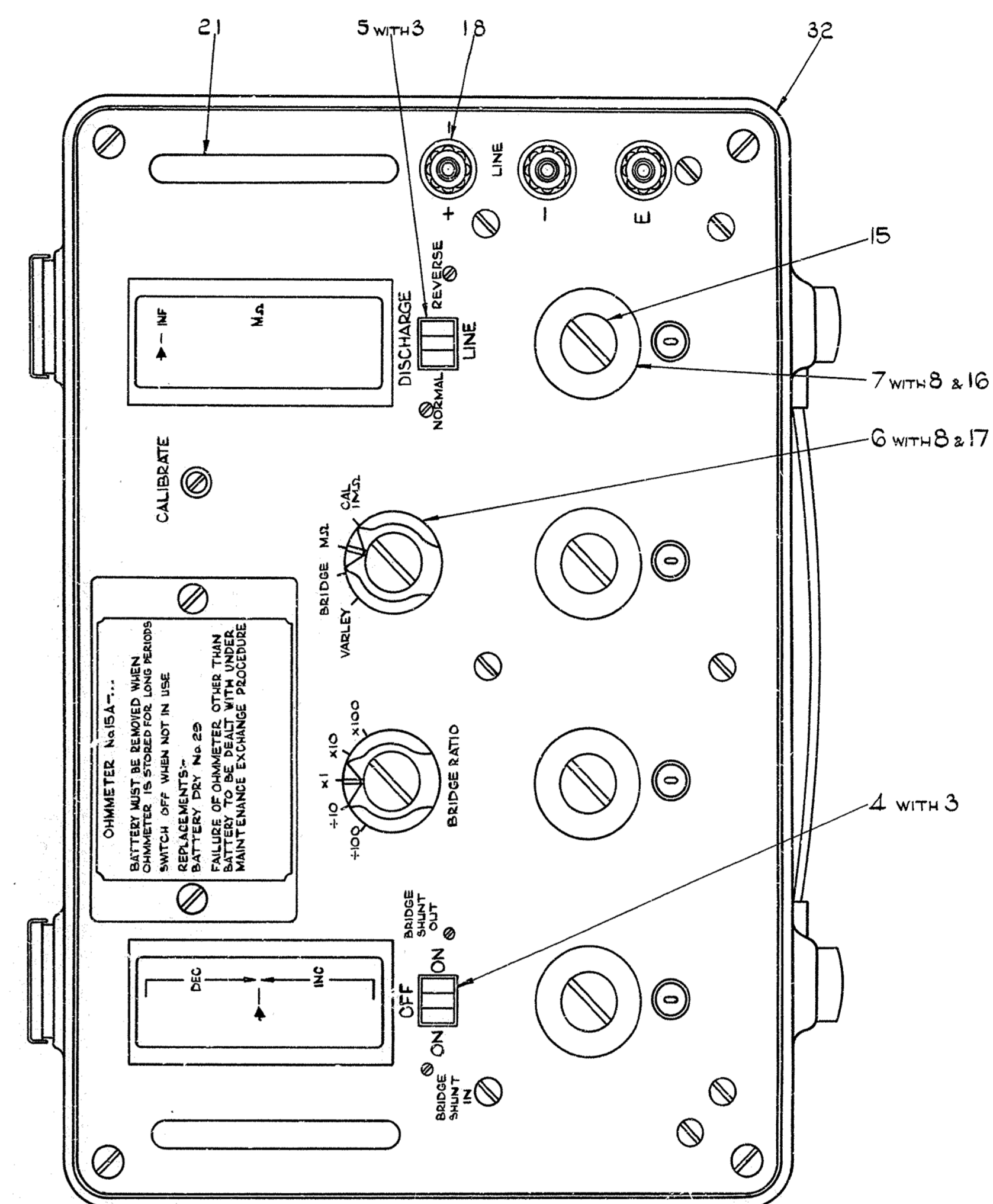
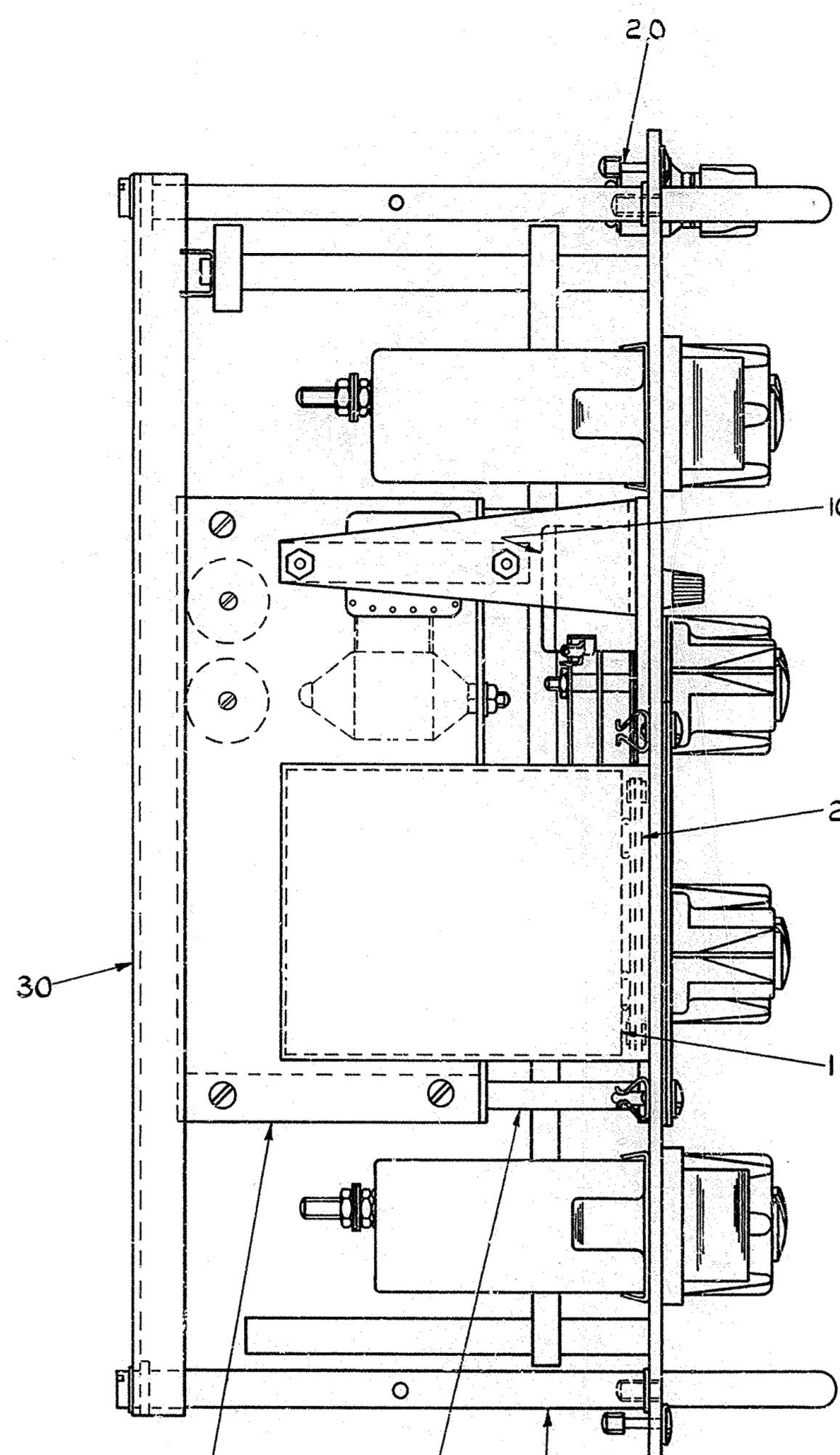


POST OFFICE ENGINEERING DEPT 5 BRANCH	
DISTRIBUTION RESTRICTED	
REFERENCES	
SEE SCHEM	SPEC D1000
ASSEMBLY DRG.	WIRING DGM.
FILE 51733/15	SPEC D2211
SCALE 1/4" AND AS INDICATED	THIRD ANGLE PROJECTION
DECIMAL DIMENSIONS NOT TOLERANCED SUBJECT TO	
APP'D IN 52 SECTION	DRN
M. S. S. S. S.	TCD 241
	CKD. 777
	DATE 22-7-64
AMENDMENT	SUFFIX
FORMERLY DRG MS 7375	
SHEET 1-3 - TRACED.	



ISA FH899/1 G.P.O.
TYPICAL MARKING (SEE SPEC.D1000)

VIEWS WITH ITEM 32 OMITTED



VIEW WITH LID REMOVED

SCHEDULE																	
ITEM	DESCRIPTION	DRG.	SPEC.	No. OFF	SCREWS ETC.	MTL.	FINISH	No. OFF	ITEM	DESCRIPTION	DRG.	SPEC.	No. OFF	SCREWS ETC.	MTL.	FINISH	No. OFF
* 1	BATTERY DRY, No. 29		B.S. 397	1					16	SWITCH ROTARY		D2212	1				
2	CORD TEST (SEE SPEC)								17	SWITCH ROTARY		D2212	1				
3	HANDLE KEY No. 18/16A	91213	D2162	2					18	TERMINAL No. 32 COL. REAR BACK	CD1810		1				1 OFF EACH
4	KEY No. 1001, LOCKING, NONLOCKING	91206	D2162	1					19	TRANSFORMER			1				
5	KEY No. 1101, LOCKING, LOCKING	91207	D2162	1					20	PART 2/59C/338 (SCREW)	55C/338		4				
6	KNOB, A TYPE, PART No. P80372 PLESSEY Co., OR EQUIVALENT.			2					21	PART 3/54A/9 (HANDLE)	54A/9		2				
7	KNOB, A TYPE, PART No. P80373 PLESSEY Co., OR EQUIVALENT.			4					22	PAINTED CIRCUIT WIRING BOARD			1				
8	METAL MOUNTING SUB ASSEMBLY, PART No. P80384, PLESSEY Co., OR EQUIVALENT.			6					23	DETAIL 1 (PANEL SUB ASSEMBLY)	92162 SHEET 1-2		1				
9	GALVANOMETER No. 40	CD1820	D2215	1					24	DETAIL 2 (POST)			4				
10	POTENTIOMETER, TYPE EP, PLESSEY Co., OR EQUIVALENT			1					25	DETAIL 3 (POST)			4				
11	RESISTOR COIL - - -			2					26	DETAIL 4 (BRACKET)			1				
12	RESISTOR COIL - - -			2					27	DETAIL 5 (BRACKET)			1				
13	RHEOSTAT No. 12A LESS KNOBS AND COVER	91274	D2110	1					28	DETAIL 6 (BRACKET)			2				
14	MICROAMMETER No. 14.	CD1819	D2214	1					29	DETAIL 7 (PANEL)			1				
15	RETAINING CAR PART No. 80374, PLESSEY Co., OR EQUIVALENT.			6					30	DETAIL 8 (GUARD)			2				
									31	DETAIL 9 (STRIP)			2				
									32	DETAIL 10 (CASE No. 123B MODIFIED)	92162 SHEET 2	D2093	1				

* ITEM TO BE REQUISITIONED SEPARATELY & FITTED LOCALLY
 © ITEMS ARE TYPICAL ONLY. FOR FURTHER INFORMATION SEE SPEC. D2211

FOR SUPERSED

OHMMETER No 15A...
(MARK 1)

ASSEMBLY

DRG 92157