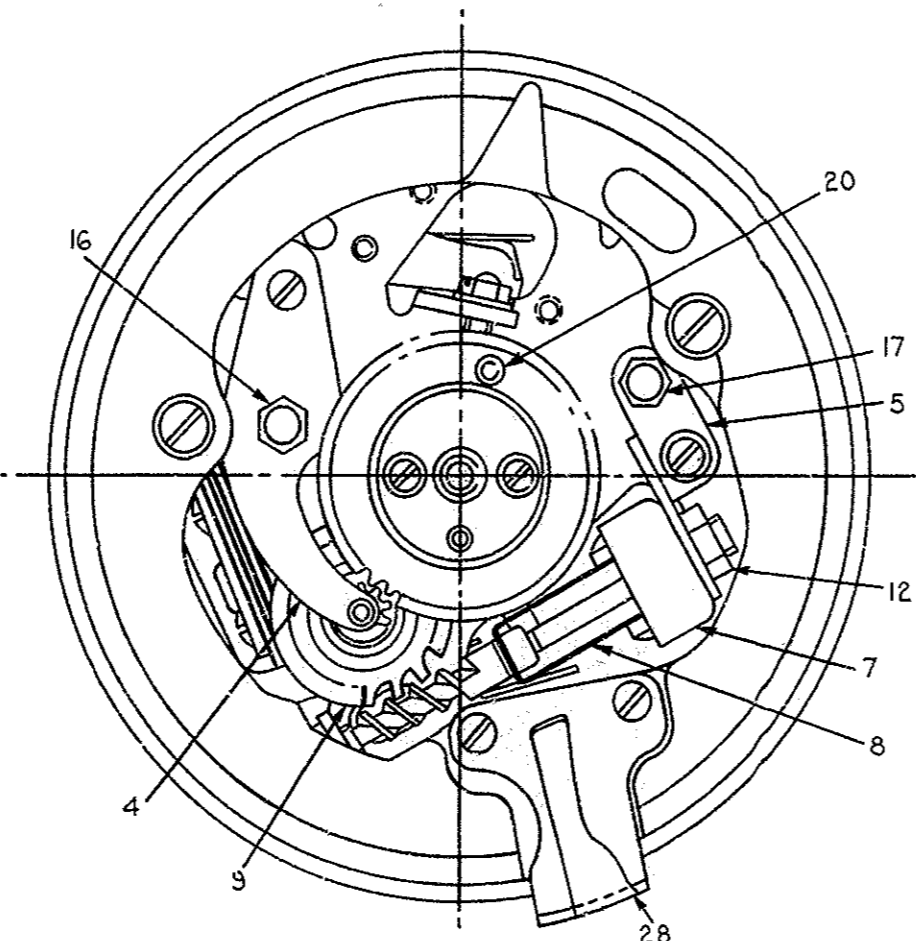
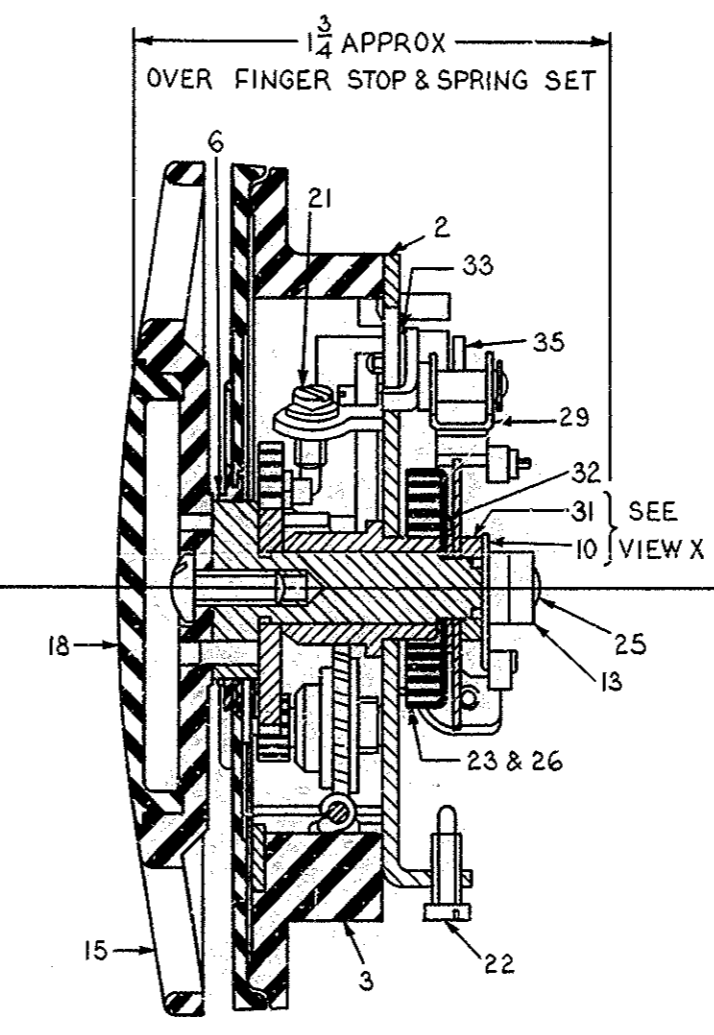


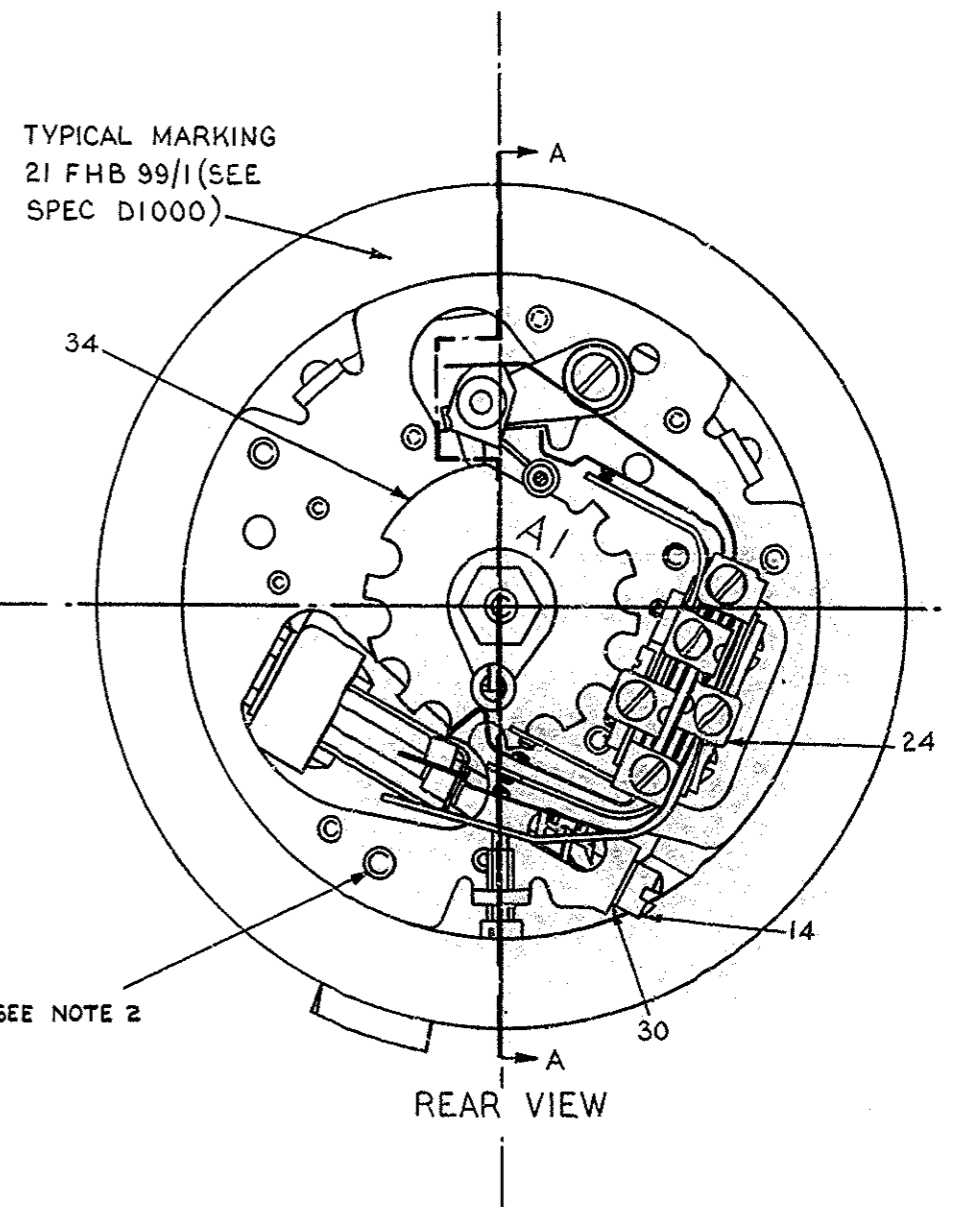
DIAL AUTO NO.21 FA (CLEAR)



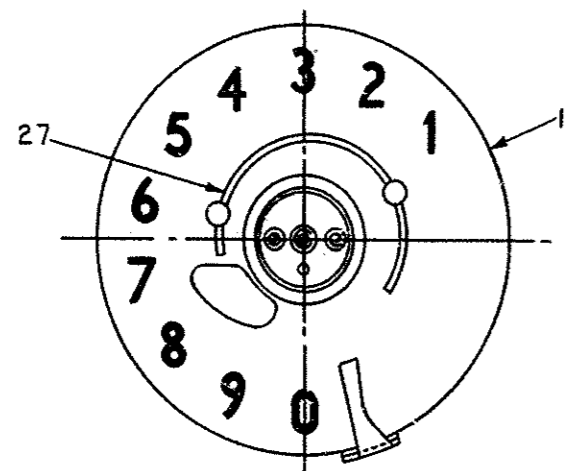
FRONT VIEW
(WITH ITEMS 1,15,18 & 27 OMITTED)



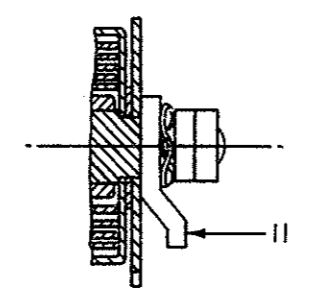
SECTION A A
(SPRING SET REMOVED)



REAR VIEW



FRONT VIEW
SHOWING FIXING OF LABEL
(ITEMS 15 & 18 OMITTED)



VIEW X
ALTERNATIVE LEVER
SWITCHING ASSEMBLY (SEE NOTE 1)

NOTES:-

1. ITEM 11 WITH WASHER AS SHOWN IN SCHEDULE MAY BE USED AS AN ALTERNATIVE TO ITEMS 10 & 31
2. THE FITTING OF THIS SCREW IS OPTIONAL

FIRST USE:- TELEPHONE 746 (DRG 92773)

DIMENSIONS IN INCHES

A1 A2	DRN G.E.C. CKD G.A.C.W.	MATERIAL	FINISH	DO NOT SCALE	ORIGINAL SCALE $\frac{2}{1}$	REFERENCES SPECS G51, S1073 DRG 92773 D1000 BTTDC		
	CERTIFICATION E.H. SEYMOUR					DIAL, AUTOMATIC NO. 21FA (CLEAR) (MARK 1)	SUPERSEDES DRG 91359 (DIAL AUTO NO. 21 CA CCL.)	
R 701	DATE	REDRAWN TO MICROFILM STANDARDS. NOTE 2, & SHEETS 2 & 3 ADDED. A.K. 10/6/974	D	SEE SUPERSEDED FOR PREVIOUS AMENDMENTS	AMENDMENT	ISSUE	POST OFFICE TELECOMMUNICATIONS HEADQUARTERS TD 7.11	92526 SHEET 1-3