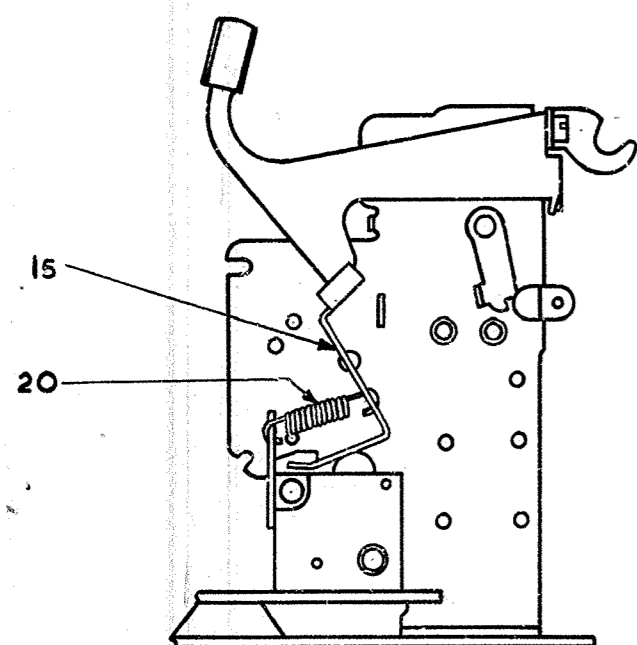
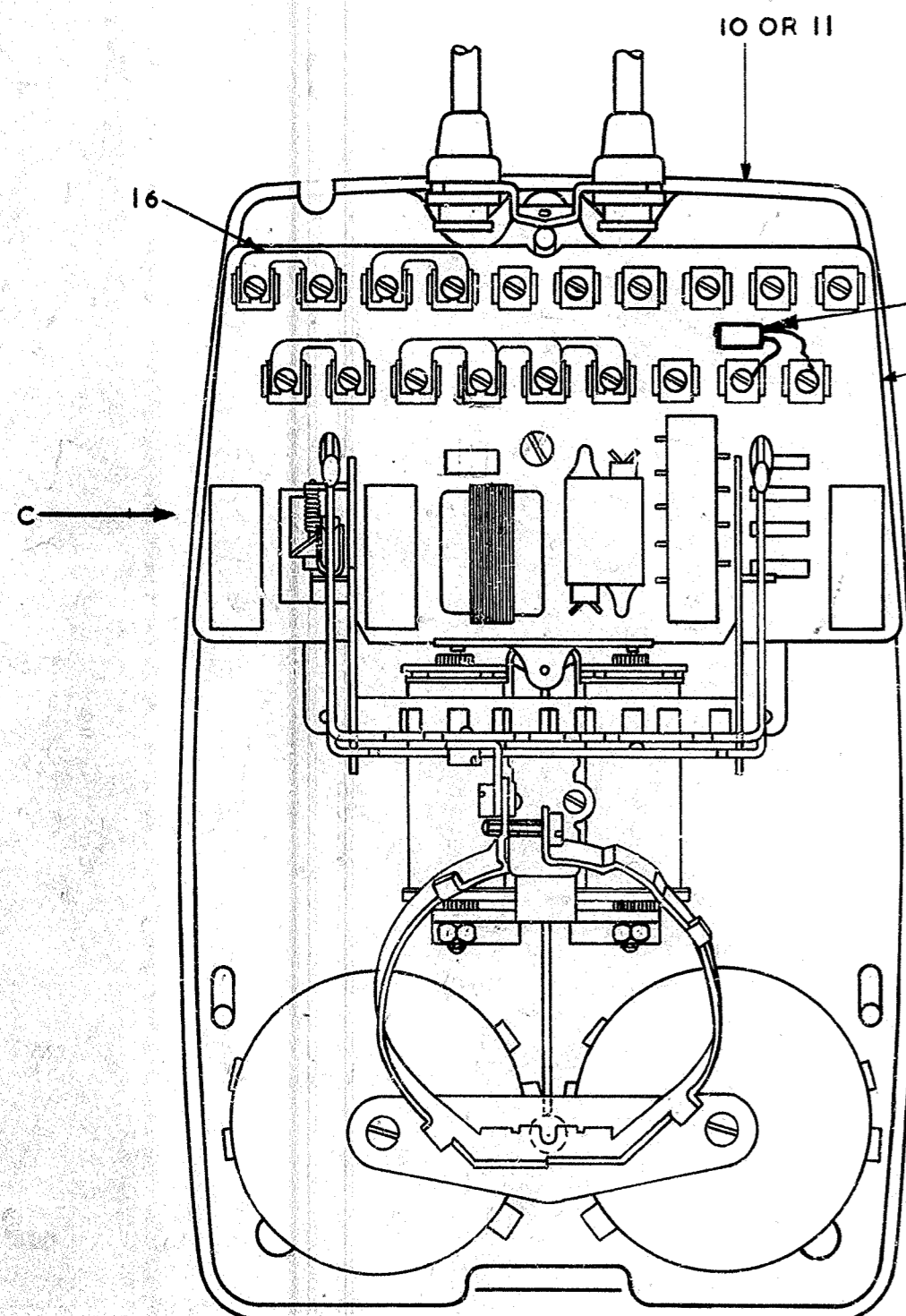
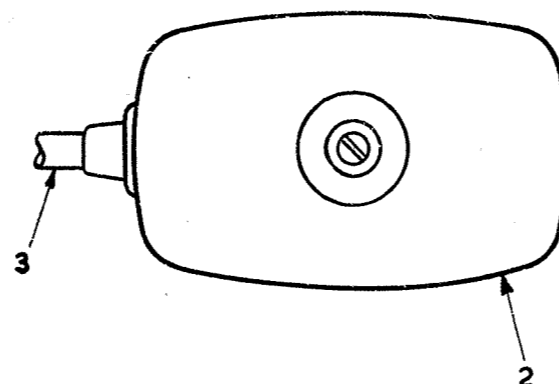


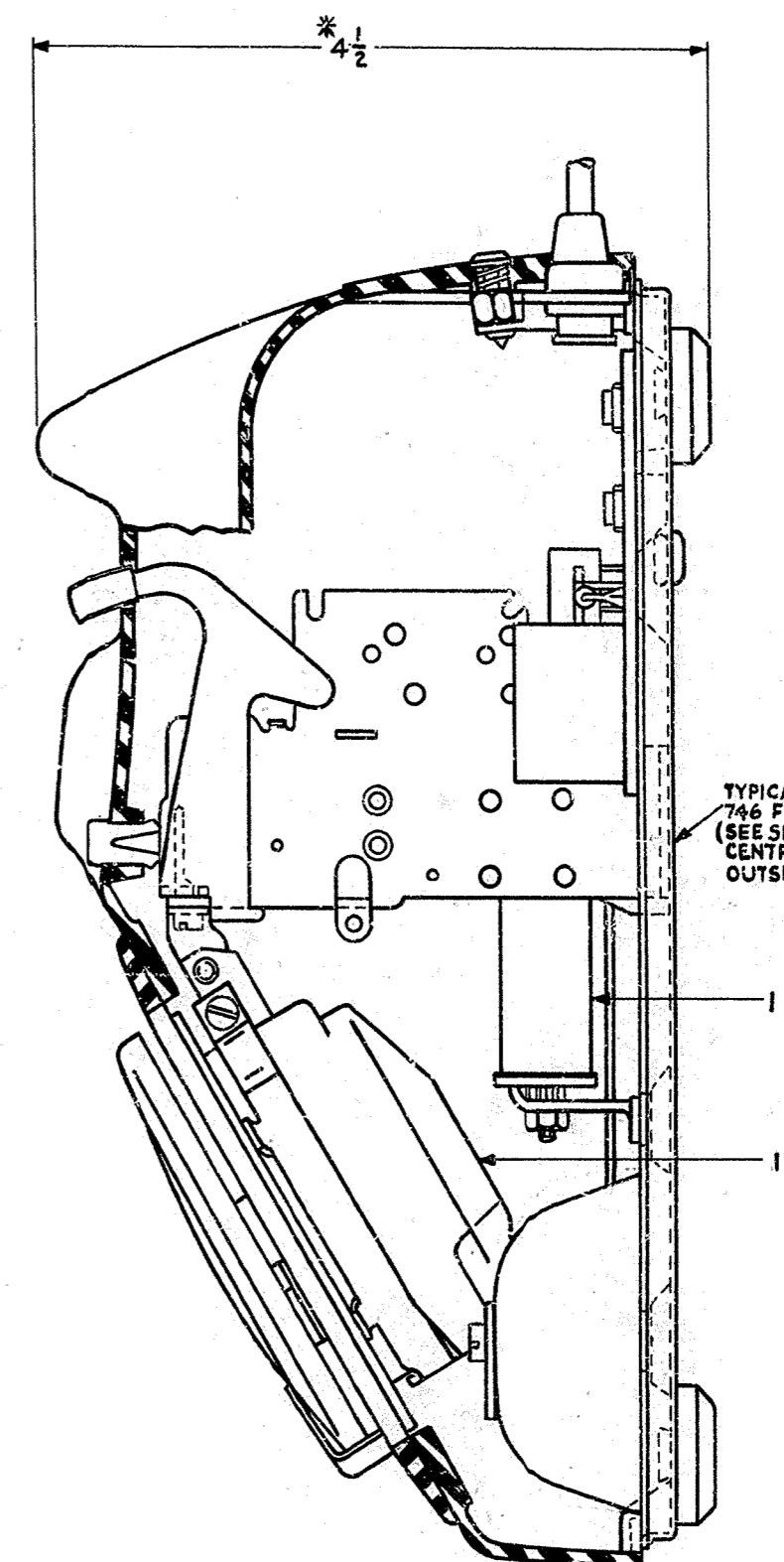
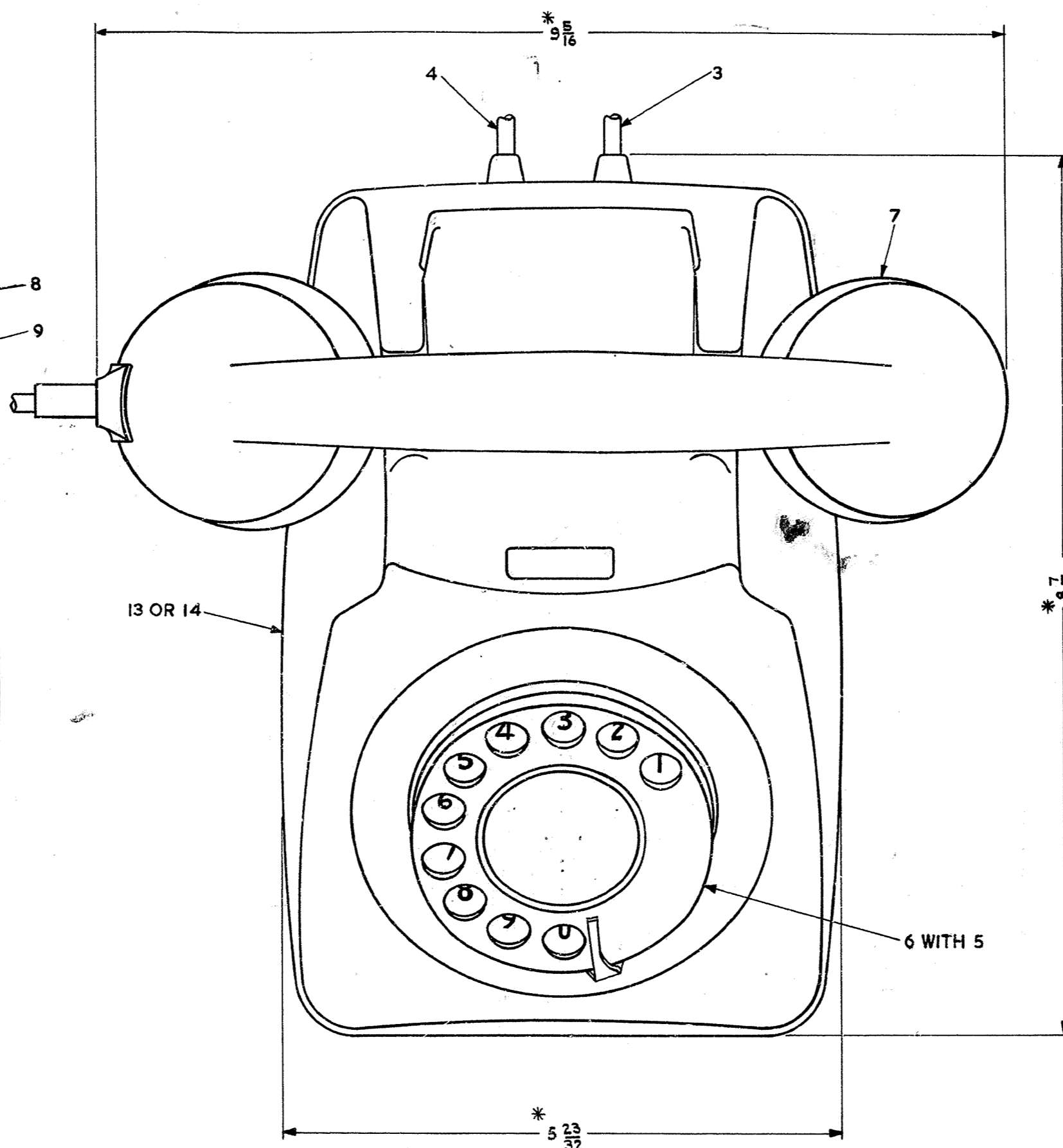
DISTRIBUTION GENERAL	
REFERENCES	
SEE SCHED.	SPEC. D1000
	S1009
DGM. SA/SAW101400	WIRING DGM SA/SAW101400
ASSEMBLY DRG.	
FILE: 3500/746	SPEC. S1009
SCALE: 1 AND AS INDICATED	THIRD ANGLE PROJECTION
DECIMAL DIMENSIONS NOT TOLERANCED SUBJECT TO -	
App'D: TD 7.1.1	DRN: AEI LTP TCD CONTRS & CKD. <i>AB</i>
<i>J. Weyman</i>	DATE 27.12.67
AMENDMENT	SUFFIX
ITEM 19 ADDED	A
GC. <i>SA</i> L.R.D. 9. 2. 70.	
ITEM 9 WAS 1/DBA/195	B
P.T.W. <i>W</i> P.E. 28-1-72	
MARK IA & ALTERNATIVES ADDED. SCHEDULE REARRANGED & DRG RE-ANNOTATED. CORD INST. No. 4/121AT & No. 4/118AX WERE No. 4/83AA & No. 4/88AK RESPECTIVELY. SUPERSESSION NOTE ADDED. TITLE AMENDED ACCORDINGLY.	C
P.T.W. L.R.D. 8.6.73	
WIRING DGM WAS N846/ ITEM 9 MODIFIED IN ACCORDANCE WITH MK3.	D
<i>100</i> 5.7.76	
MADE/O AND SUPERSESSION NOTE ADDED J.C.T.	E
<i>76</i> 24.11.77	



PART VIEW IN DIRECTION OF ARROW 'C'



VIEW WITH ITEMS 5, 6, 7, 12 & 13 OR 14 REMOVED



PART SECTION THROUGH ITEM 13 OR 14 WITH ITEM 7 REMOVED

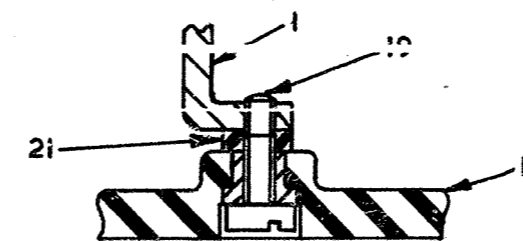
TYPICAL MARKING 746 FHB 99/1A (SEE SPEC D1000) CENTRALLY ON OUTSIDE

ITEM	DESCRIPTION	DRG	No. OFF			
			MARK I	MARK I ALTERNATIVE	MARK IA	MARK IA ALTERNATIVES
1	Ø BELL No. 59C-1 (UNMOUNTED)	92761	1	1	1	1
2	Ø BLOCK TERMINAL No. 52A (COLOUR)	92467	1	1	1	1
3	Ø CORD INST No. 4/121AT (COLOUR) 3000mm	93208	1	1	1	1
4	Ø CORD INST No. 4/118 AX (COLOUR) 200 mm	93205	1	1	1	1
5	Ø CORD INST No. 5/42L 5	92193	1	1	1	1
6	Ø DIAL AUTOMATIC No. 21 FA (CLEAR)	92526	1	1	1	1
7	Ø HANDSET No. 3 (COLOUR)	91199	1	1	1	1
8	Ø RECTIFIER ELEMENT No. 205 (OR APPD ALT)	CD1659	1	1	1	1
9	Ø TELEPHONE UNIT D92732	92732	1	1	1	1
10	Ø PART 1/DBA/195	DBA/195	1	1	1	1
11	Ø PART 3/DBA/195	DBA/195	—	—	—	—
12	Ø PART 1/DCO/631	DCO/631	1	1	1	1
13	Ø PART 1/DCO/718 (COLOUR)	DCO/718	1	1	—	—
14	Ø PART 2/DCO/718 (COLOUR)	DCO/718	—	—	1	1
15	Ø PART 1/DLE/72	DLE/72	1	1	1	1
16	Ø PART 2/DLI/20	DLI/20	6	6	6	6
17	Ø PART 1/DSC/513	DSC/513	2	—	2	—
18	Ø PART 2/DSC/513	DSC/513	—	2	—	2
19	Ø PART 3/DSC/513	DSC/513	—	—	—	2
20	Ø PART 1/DSP/157B	DSP/157B	1	1	1	1
21	Ø PART 20/DWA/22	DWA/22	2	2	2	2
22	Ø PART 21/DWA/22	DWA/22	—	2	—	2

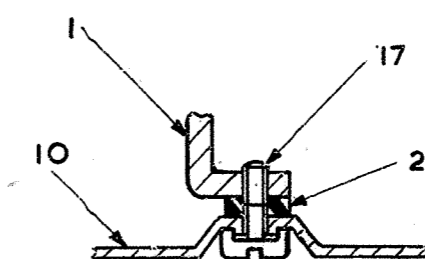
ITEM	SCREWS ETC	MTL	FINISH	NO OFF
9	SC 4 BA X 3/16 CH HD	MS	Zn P & PASS OR Zn P & LAC	1

Ø REPLACEABLE ITEM

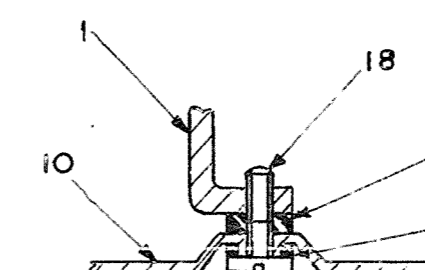
TELEPHONE No. 746 (COLOUR) (MARK IA) SUPERSEDES (MARK I) FOR NEW WORK



METHOD OF MOUNTING ITEM 1 TO ITEM 11



VIEW A METHOD OF MOUNTING ITEM 1 TO ITEM 10



VIEW B ALTERNATIVE METHOD OF MOUNTING ITEM 1 TO ITEM 10

* DIMENSIONS ARE FOR REFERENCE PURPOSES ONLY

DO NOT SCALE A MICROFILM PROCESS PRINT

DIMENSIONS IN INCHES

S TELEPHONE 821A/AA ETC

SUPERSEDED BY DRG 92773/1 FOR NEW WORK

TELEPHONE No. 746 (COLOUR) (MARK I) & (MARK IA)

(ASSEMBLY & SCHEDULE)

DRG. 92773/0