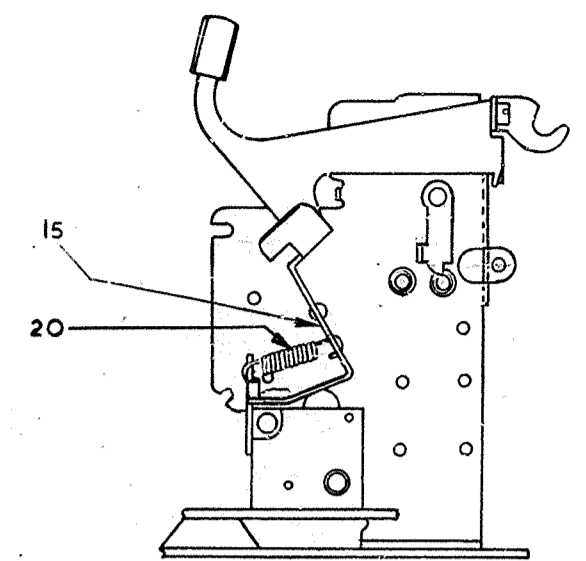
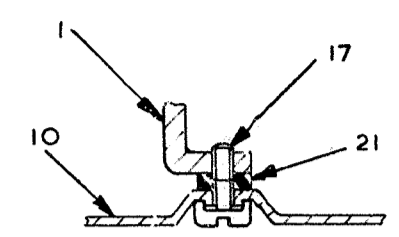


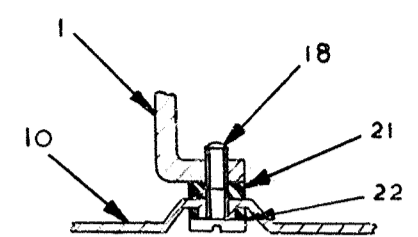
A  
B  
C  
D



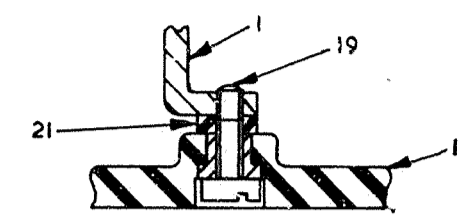
PART VIEW IN DIRECTION OF ARROW 'C'



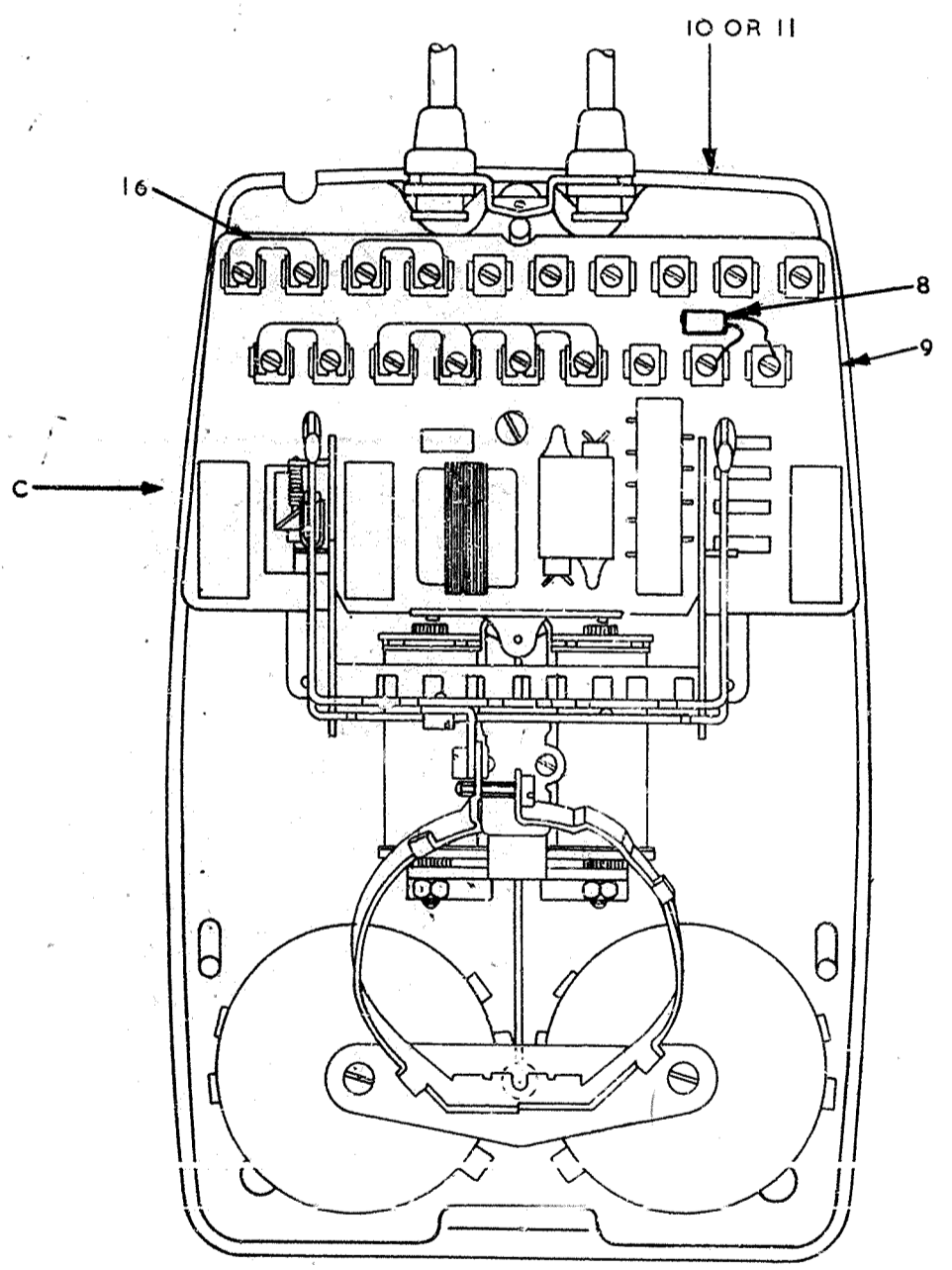
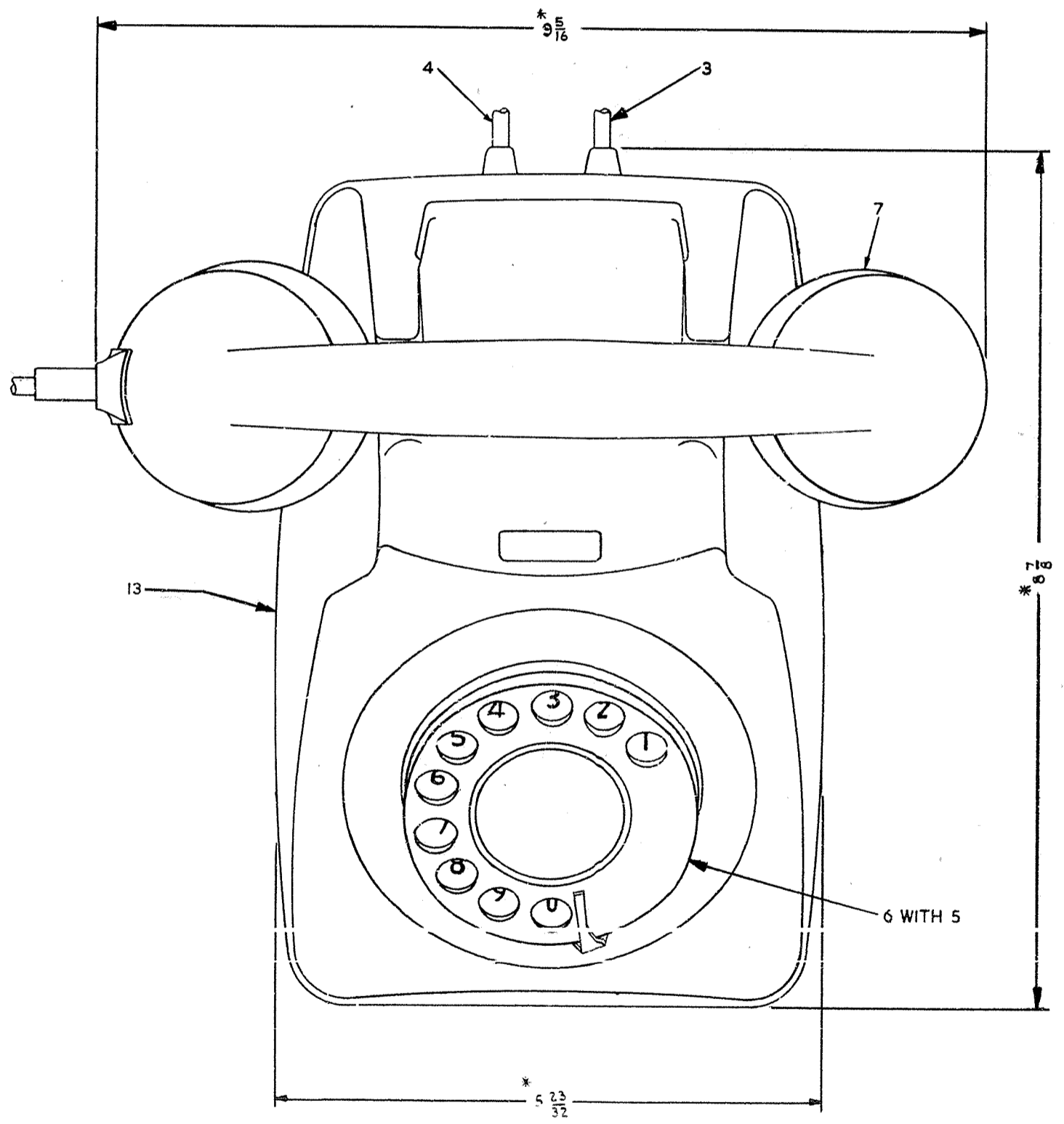
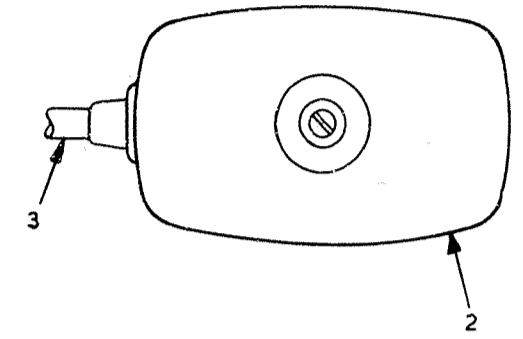
METHOD OF MOUNTING ITEM 1 TO ITEM 10



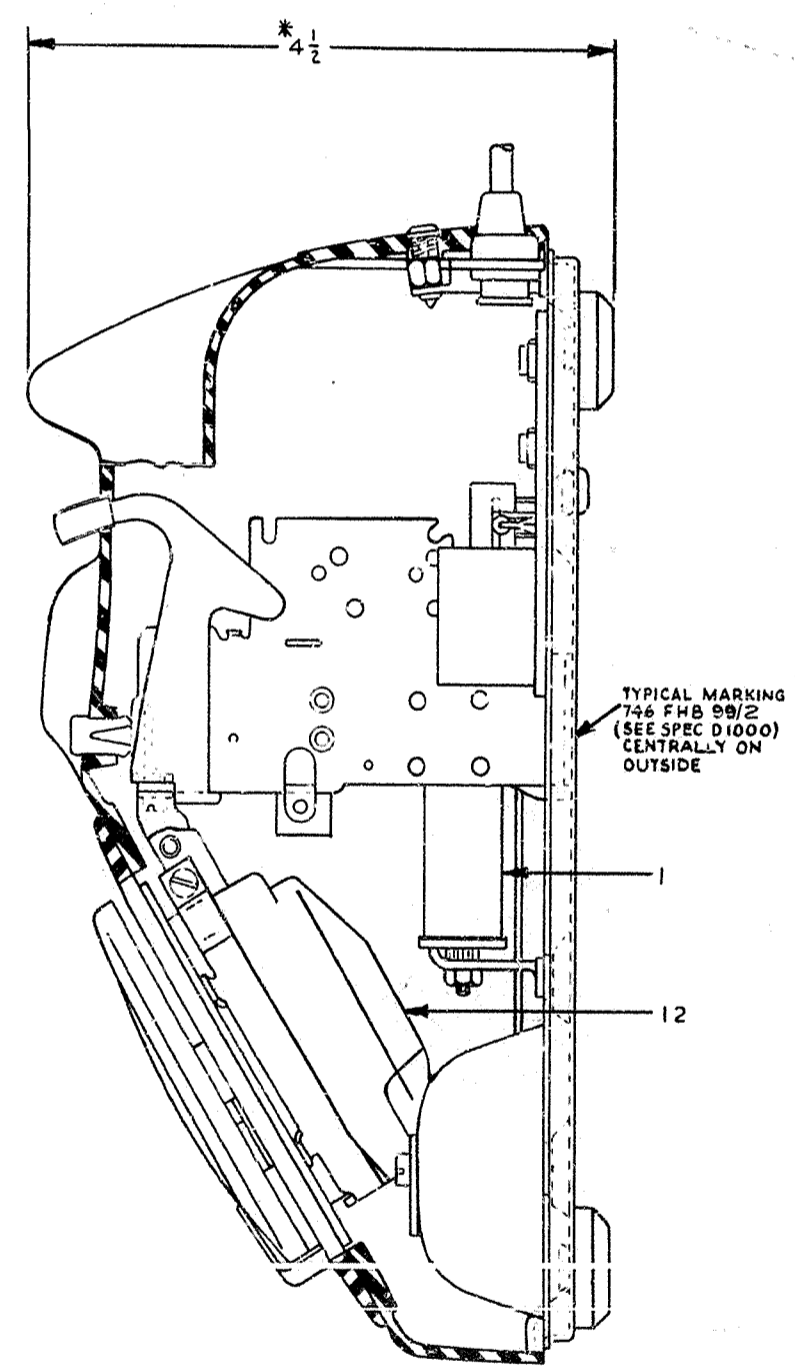
ALTERNATIVE METHOD OF MOUNTING ITEM 1 TO ITEM 10



METHOD OF MOUNTING ITEM 1 TO ITEM 11



VIEW WITH ITEMS 5, 6, 7, 12 & 13 REMOVED



PART SECTION THROUGH ITEM 13 WITH ITEM 7 REMOVED

\* FOR REFERENCE PURPOSES ONLY.

DIMENSIONS IN INCHES

© THE POST OFFICE 1977

DO NOT SCALE

ORIGINAL SCALE

DRN J.C.T.  
CKD  
CERTIFICATION  
[Signature]

NOTE DELETED. PICTORIALLY AMENDED TO MODIFICATIONS OF ITEMS 14 & 15  
UPDATED NOTE ADDED RE ALTERNATIVE FIXING FOR ITEM 14

MATERIAL  
FINISH  
TELEPHONE NO. 746 (COLOUR)  
MARK 2 (ASSEMBLY)

REFERENCES SPECS D1000 & S1009  
DGM SA/SAW101400