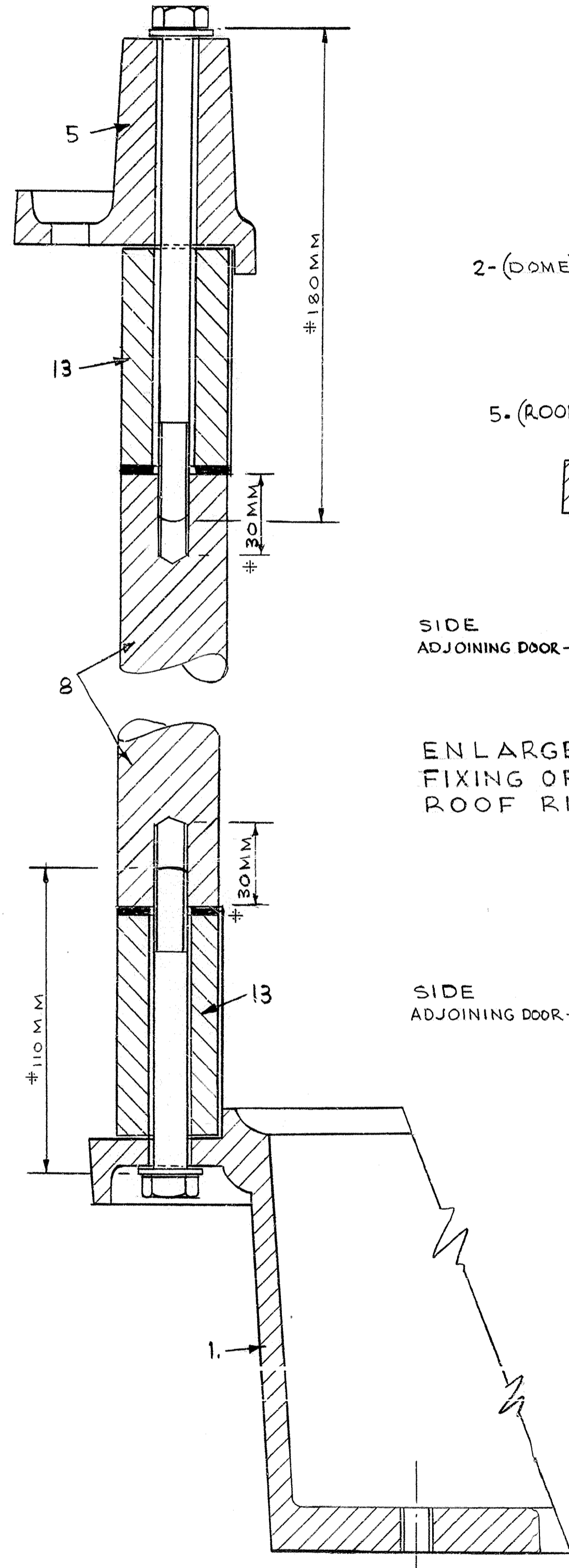
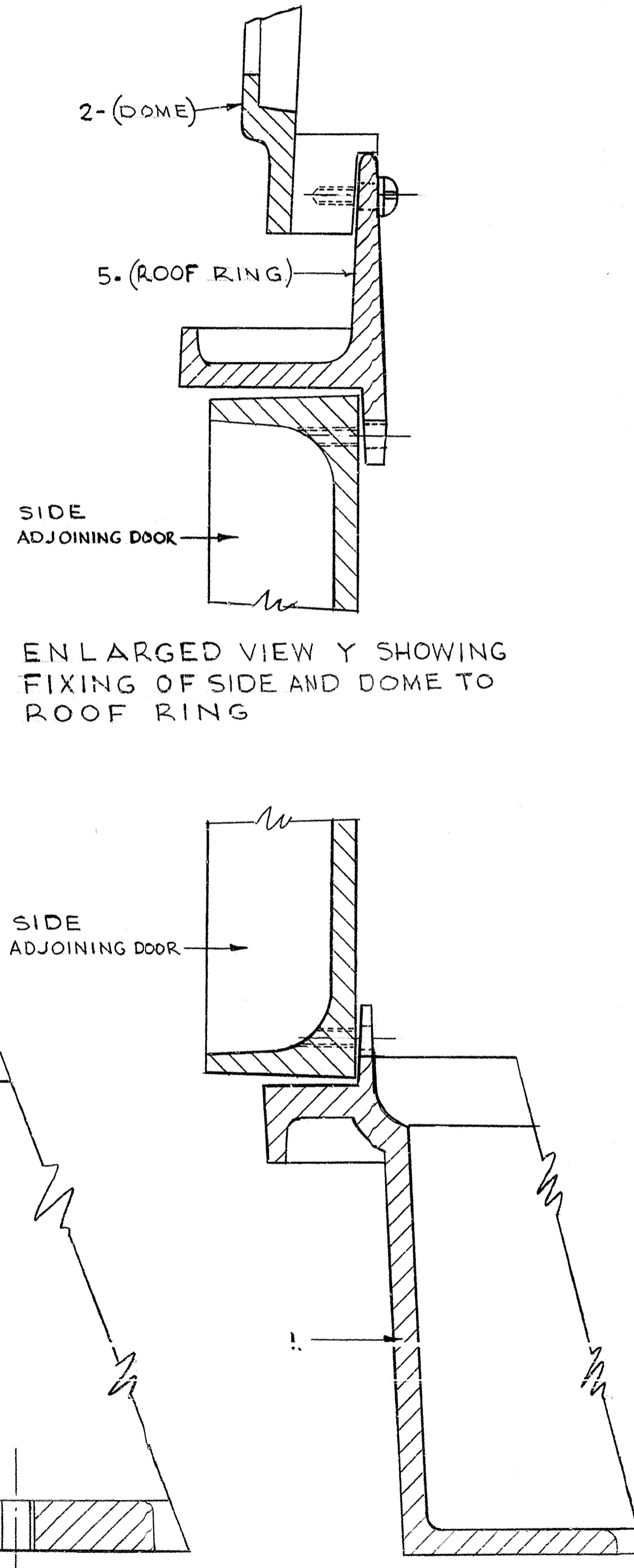


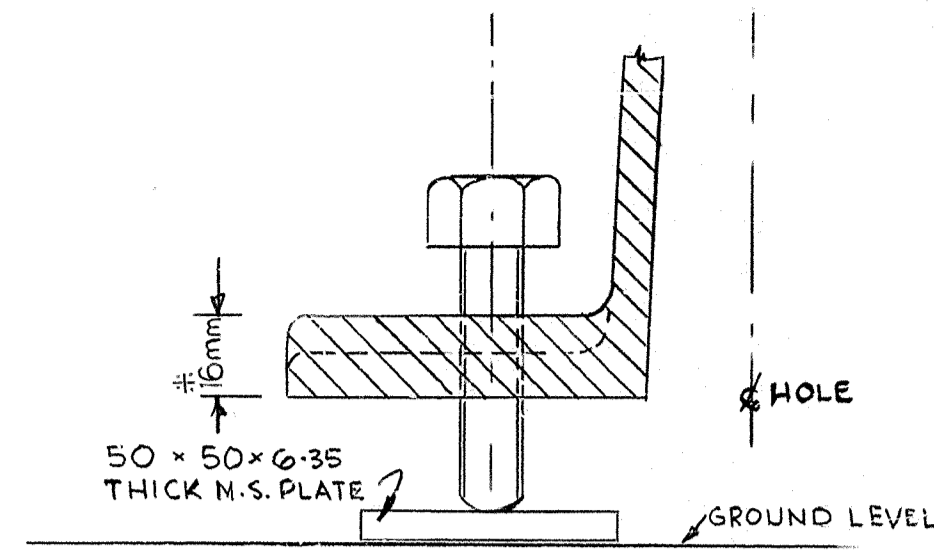
PART SECTION FF SHOWING FIXING OF ITEMS 1, 13 AND 5.



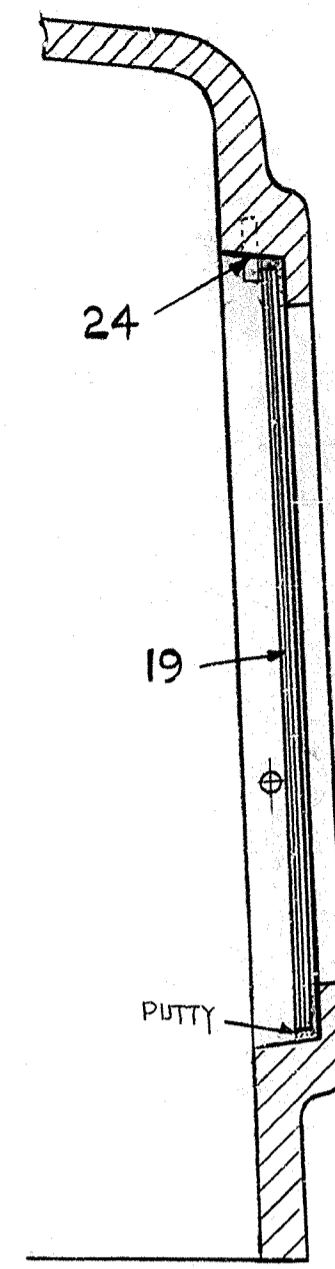
PART SECTION E-E SHOWING FIXING OF ITEMS 1, 13, 8 AND 5.



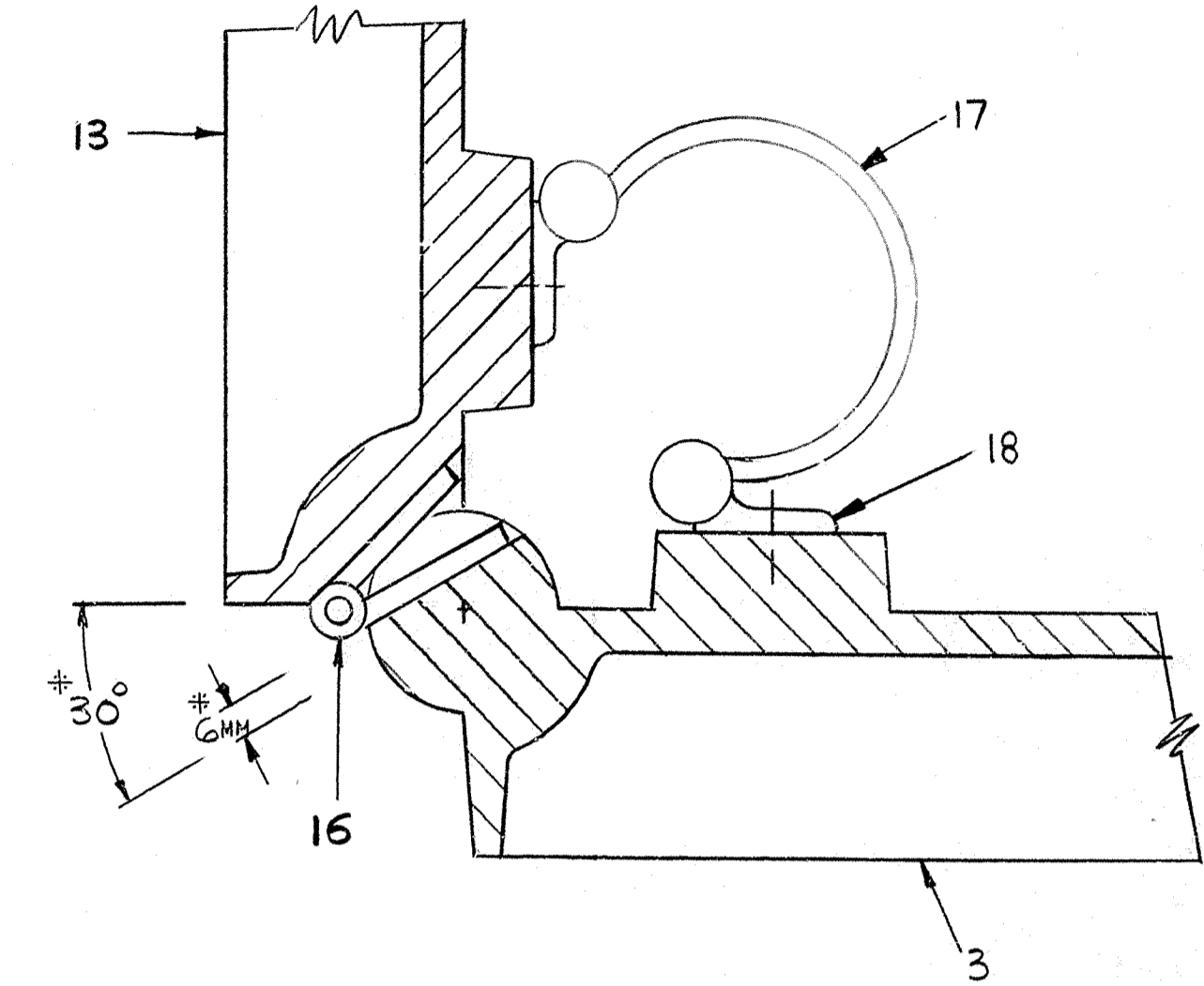
ENLARGED VIEW X SHOWING FIXING OF SIDES TO SILL.



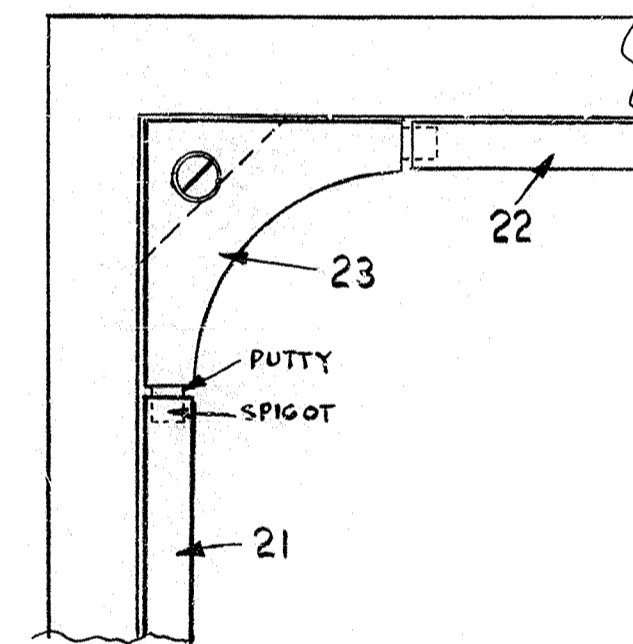
ENLARGED VIEW V SHOWING LEVELLING SCREW



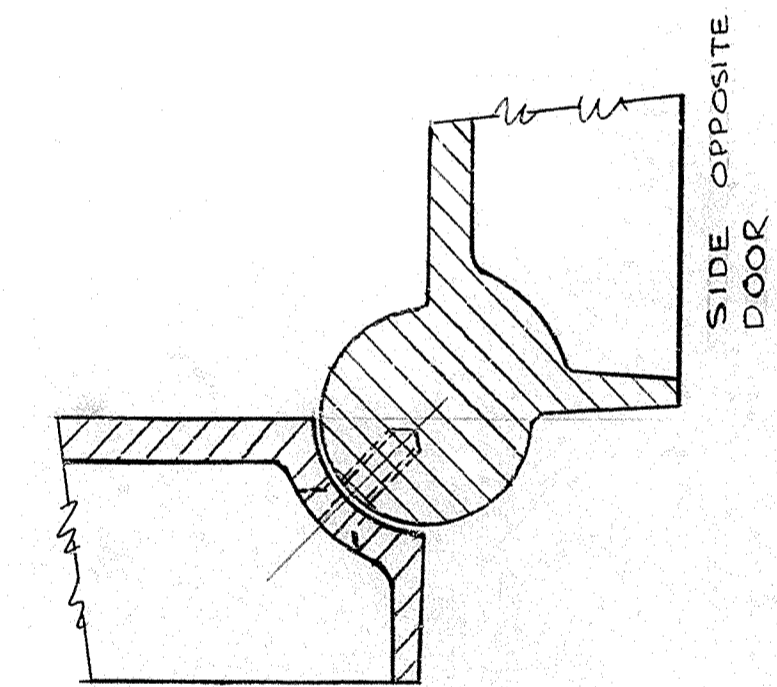
ENLARGED VIEW W



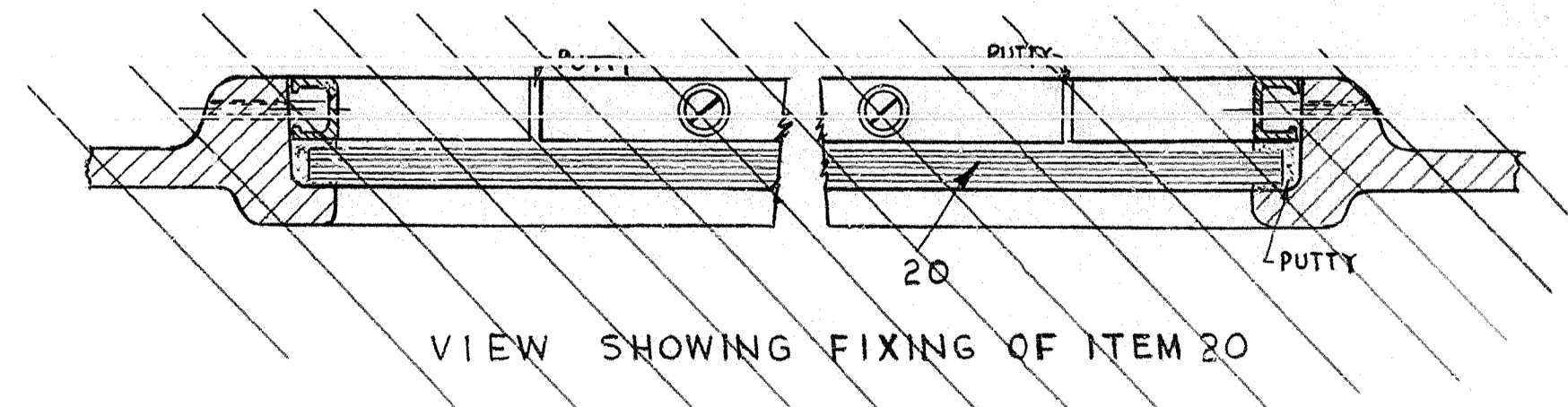
ENLARGED VIEW Z



PART VIEW SHOWING FIXING OF ITEMS 21, 22 AND 23



PART VIEW SHOWING FIXING BETWEEN SIDES AT CORNERS AWAY FROM DOOR



VIEW SHOWING FIXING OF ITEM 20

DELETED (SEE SHEET 5)

A0 AI	DRN CONTRS CKD CONTRS	UPDATED VIEW SHOWING FIXING OF ITEM 20 DELETED. P.W.E. 14-10-76 PICTORIALLY AMENDED 12-1-72 PICTORIAL AMENDMENT 20-1-71 AMENDMENT	C B A	MATERIAL	FINISH	DO NOT SCALE REFERENCES SPEC. D. 1000 SEE SCHEDULE
	CERTIFICATION			KIOSK N° 8... (MARK) ASSEMBLY		
DATE 21-7-68				POST OFFICE TELECOMMUNICATIONS HORP TD 7.2.3		93005 SHT. 2