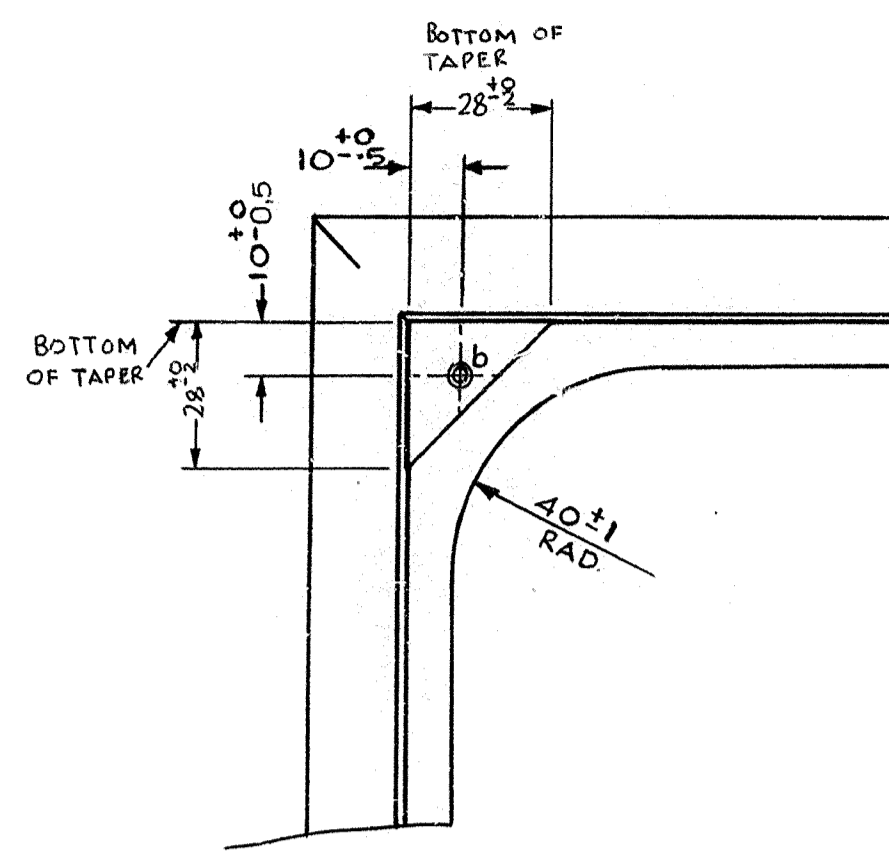


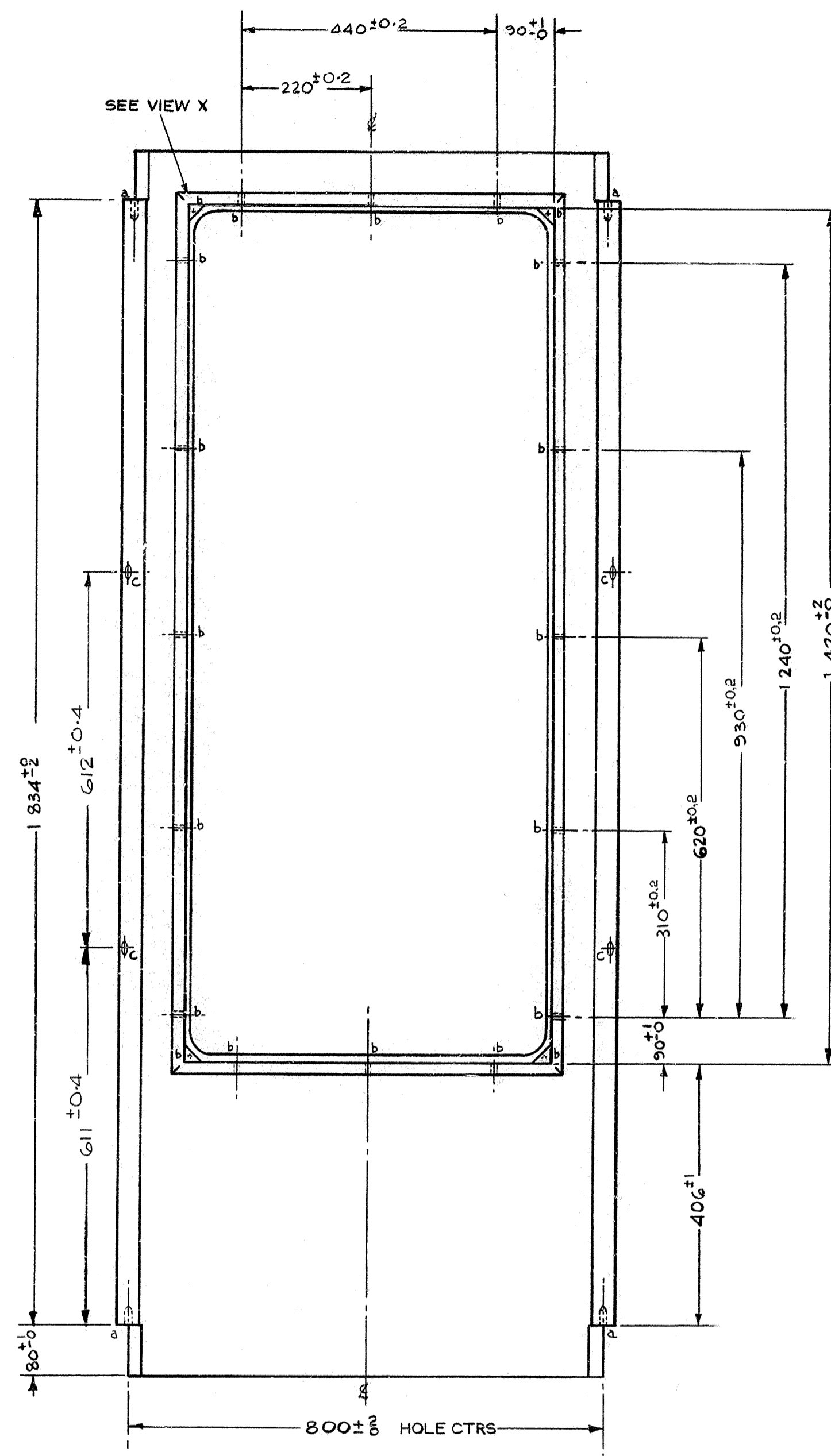
SECTION B-B



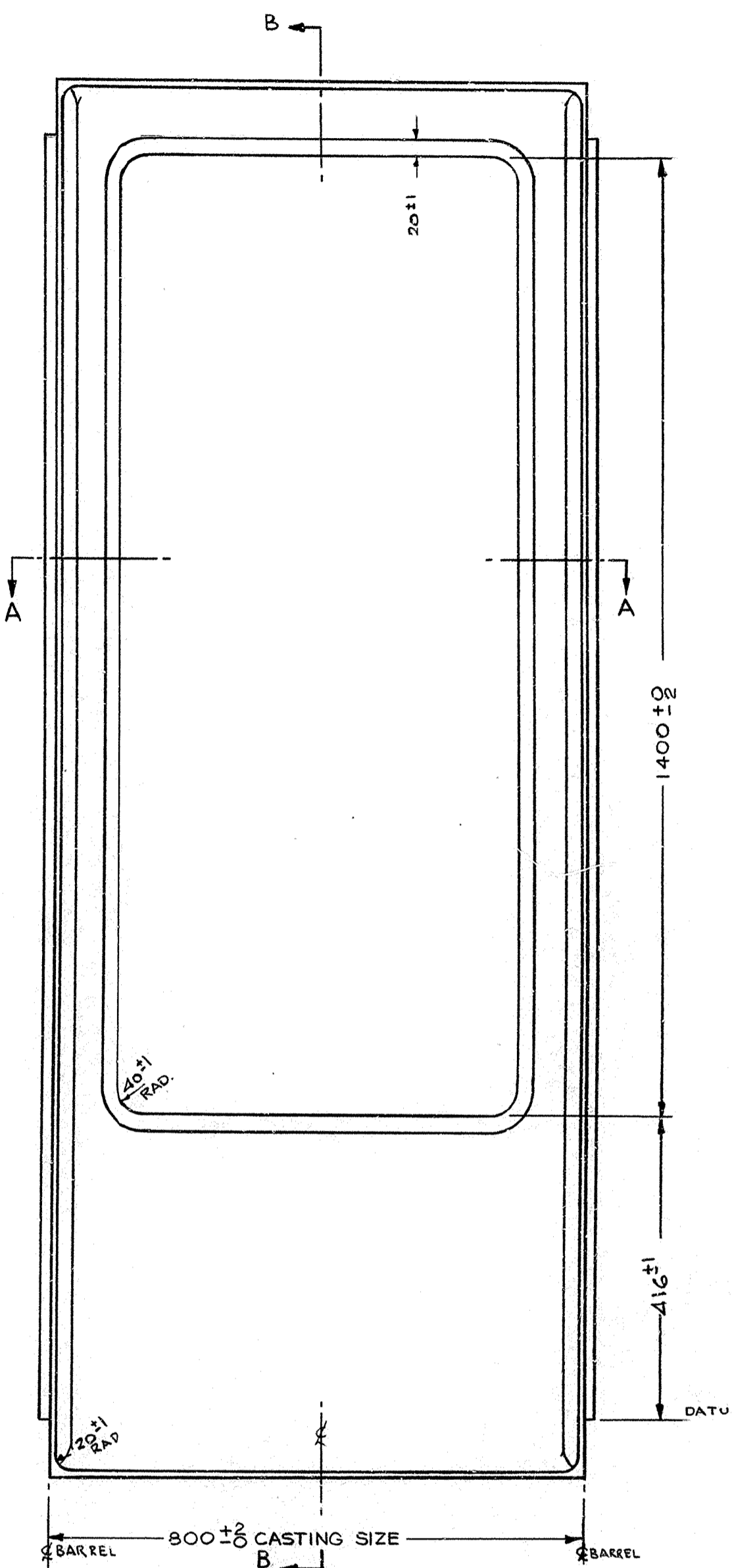
ENLARGED VIEW X

DRILLING SCHEDULE	
REF	DESCRIPTION
a	TPD. M12 x 30 DEEP
b	TPD. M4 x 10 DEEP (NOTE 2)
c	TPD. M8 x 15 DEEP

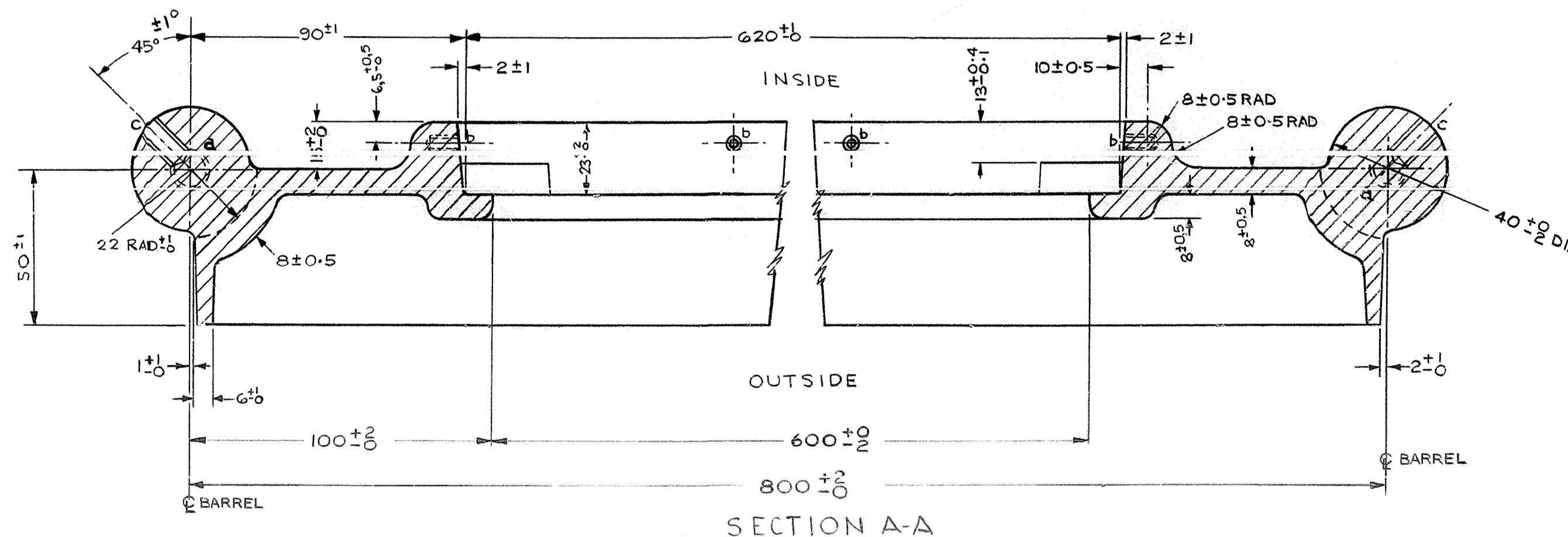
- NOTES.
1. RADII IN CASTINGS TO BE $4^{+0.5}$ UNLESS OTHERWISE STATED.
 2. 'b' HOLES MAY BE DRILLED THROUGH AND ENDS PLUGGED.



INTERNAL ELEVATION



EXTERNAL ELEVATION



SECTION A-A

FIRST USE-KIOSK No 8 (DRG 93005)

DIMENSIONS IN MILLIMETRES

SIDE 5/D93032
© THE POST OFFICE 1974

ORIGINAL SCALE 1/2
DO NOT SCALE
REFERENCES
SPEC D1000
SPEC D2457

DRN COLTRES CKD COLTRES	
CERTIFICATION	
A0	
AI	

UPDATED TOLERANCES REVISED 30-7-74	B	MATERIAL SEE SILC D2457	FINISH SEE SILC D2457	SIDE 5/D93032
---------------------------------------	---	----------------------------	--------------------------	---------------