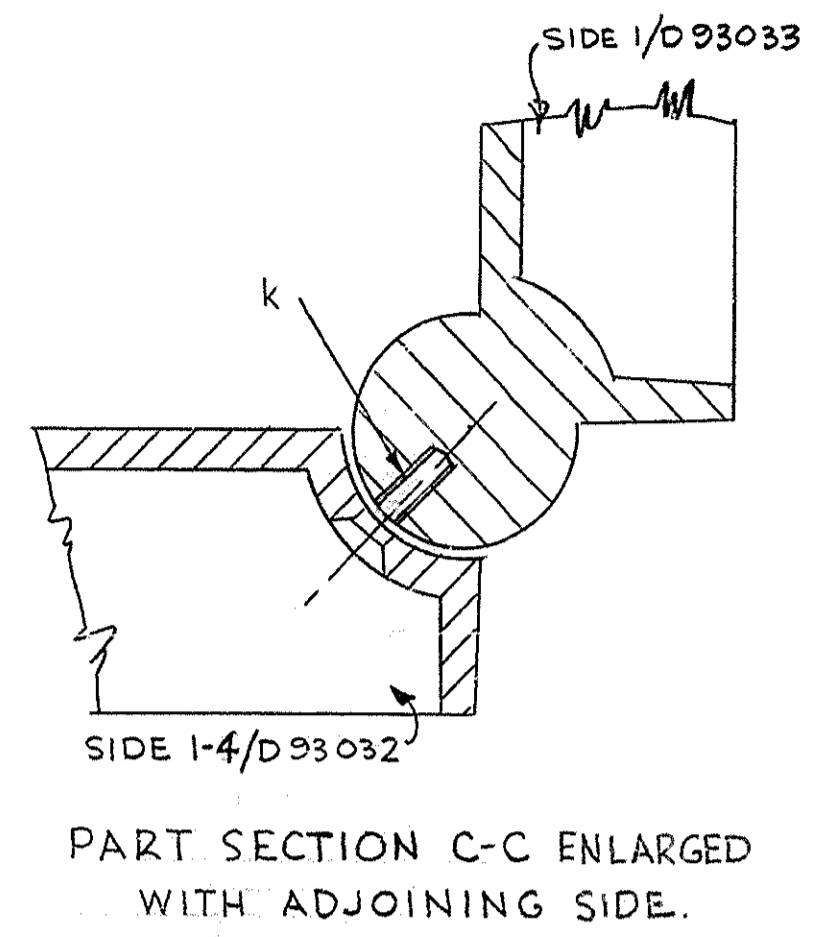
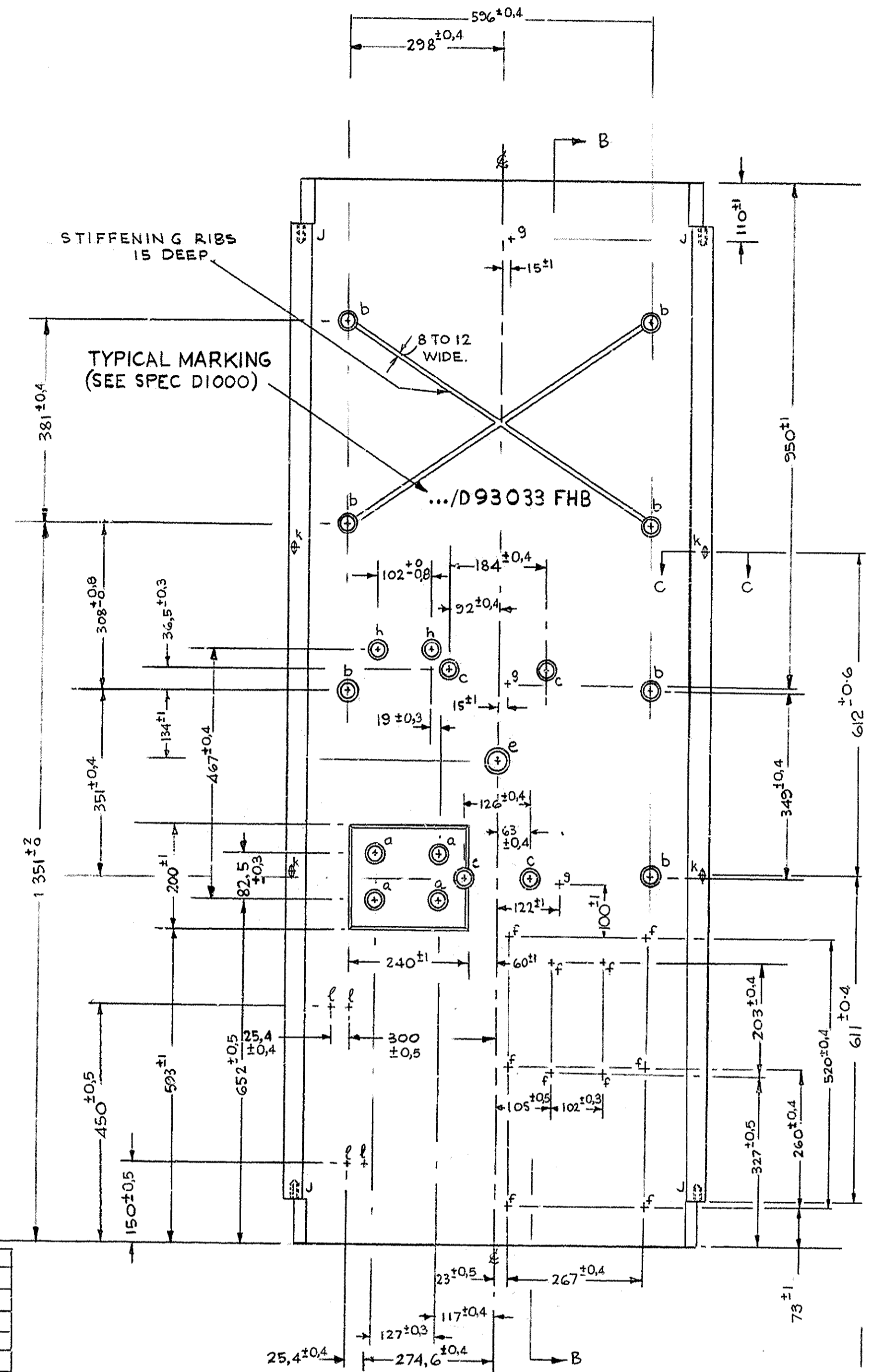


SECTION B-B

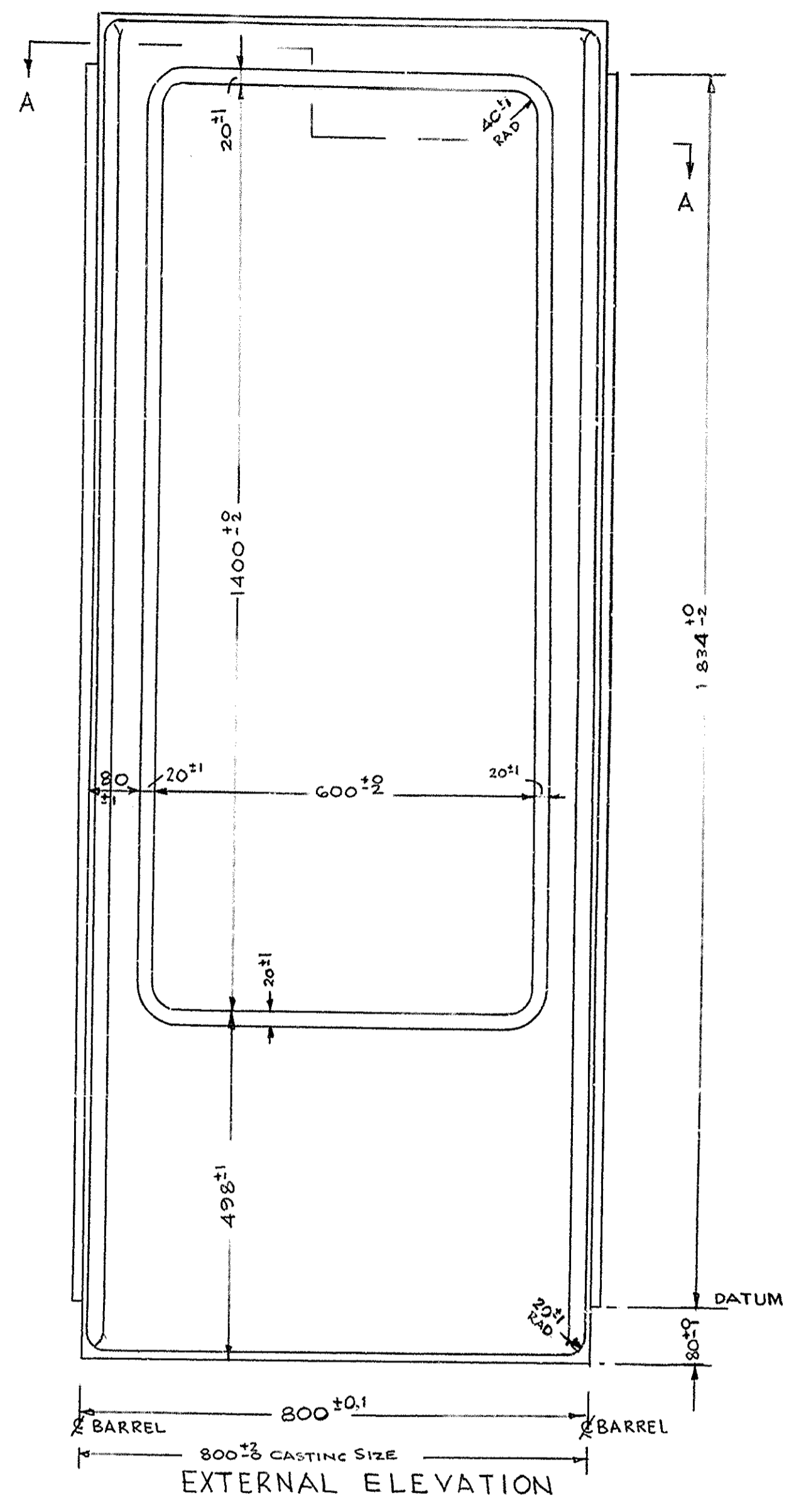


PART SECTION C-C ENLARGED WITH ADJOINING SIDE.

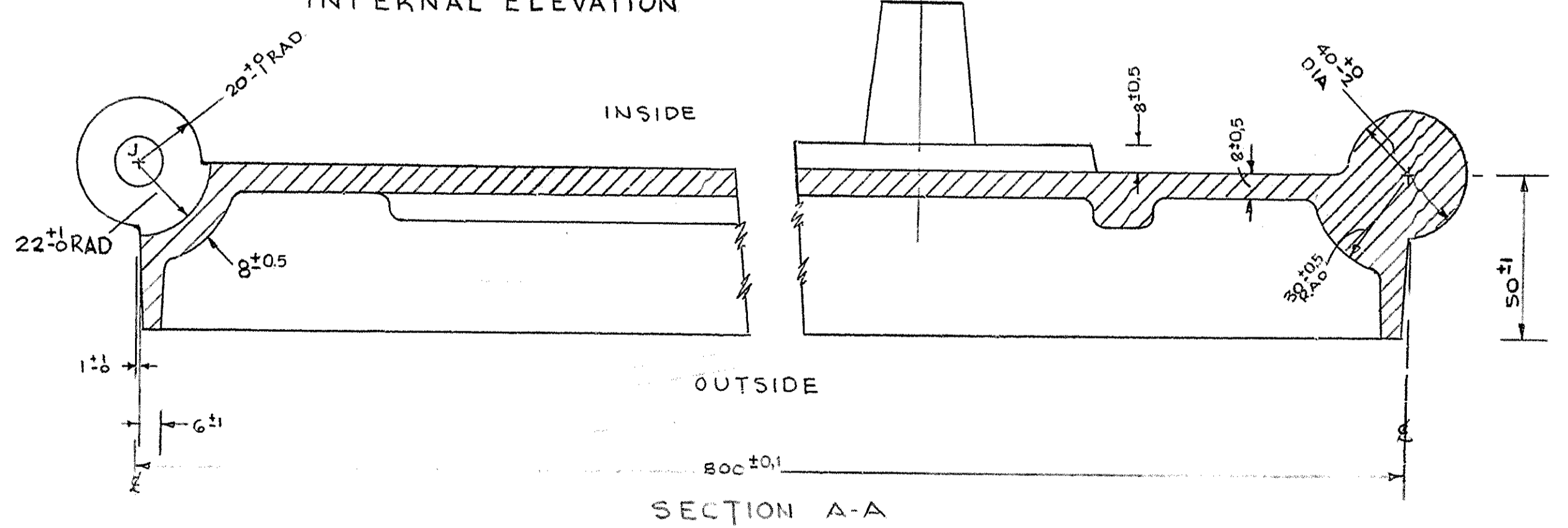
NOTE:-  
ALL RADII IN CASTING TO BE  
4 ± 0.5 UNLESS OTHERWISE STATED



INTERNAL ELEVATION



EXTERNAL ELEVATION



SECTION A-A

| REF | DESCRIPTION        |
|-----|--------------------|
| a   | TPD. M12 x 30 DEEP |
| b   | TPD. M6 x 25 DEEP  |
| c   | TPD. M8 x 19 DEEP  |
| e   | TPD. M10           |
| f   | TPD. M6            |
| g   | TPD. M5            |
| h   | TPD. M8            |
| j   | TPD. M12 x 30 DEEP |
| k   | TPD. M8 x 15 DEEP  |
| l   | TPD. M3            |

| REF | LENGTH | DIA. AT TOP | DIA. AT BOTTOM |
|-----|--------|-------------|----------------|
| a   | 43     | 25          | 35             |
| b   | 33     | 25          | 35             |
| c   | 33     | 25          | 35             |
| e   | 10     | 30          | 40             |
| h   | 6.5    | 25          | 35             |

FIRST USE:- KIOSK No.8 (DRG 93005)

DIMENSIONS IN MILLIMETRES

SIDE 1/D93033

|   |                            |                          |  |
|---|----------------------------|--------------------------|--|
| DRN CONTROL<br>CKD CONTROL<br>CERTIFICATION | MATERIAL<br>SEE SPEC D2437 | FINISH<br>SEE SPEC D2477 | DO NOT SCALE                           |
|   |                            |                          | REFERENCES<br>SPEC D1000<br>SPEC D2437 |
| AO<br>AI                                    | SIDE ... D93033            |                          | REFERENCES<br>SPEC D1000<br>SPEC D2437 |