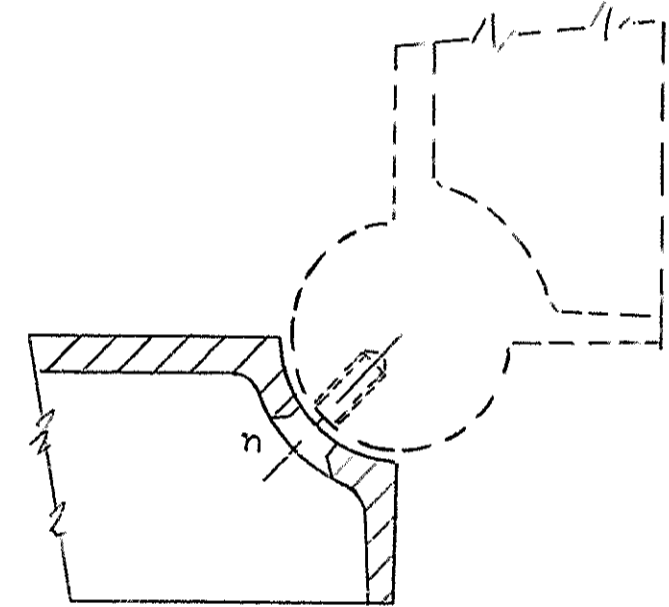
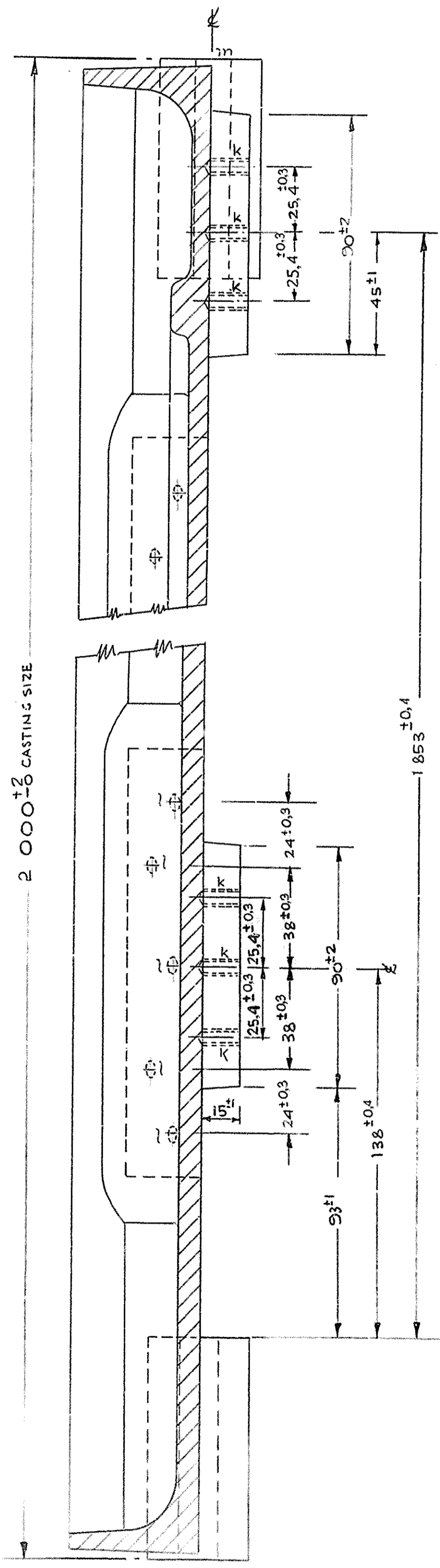
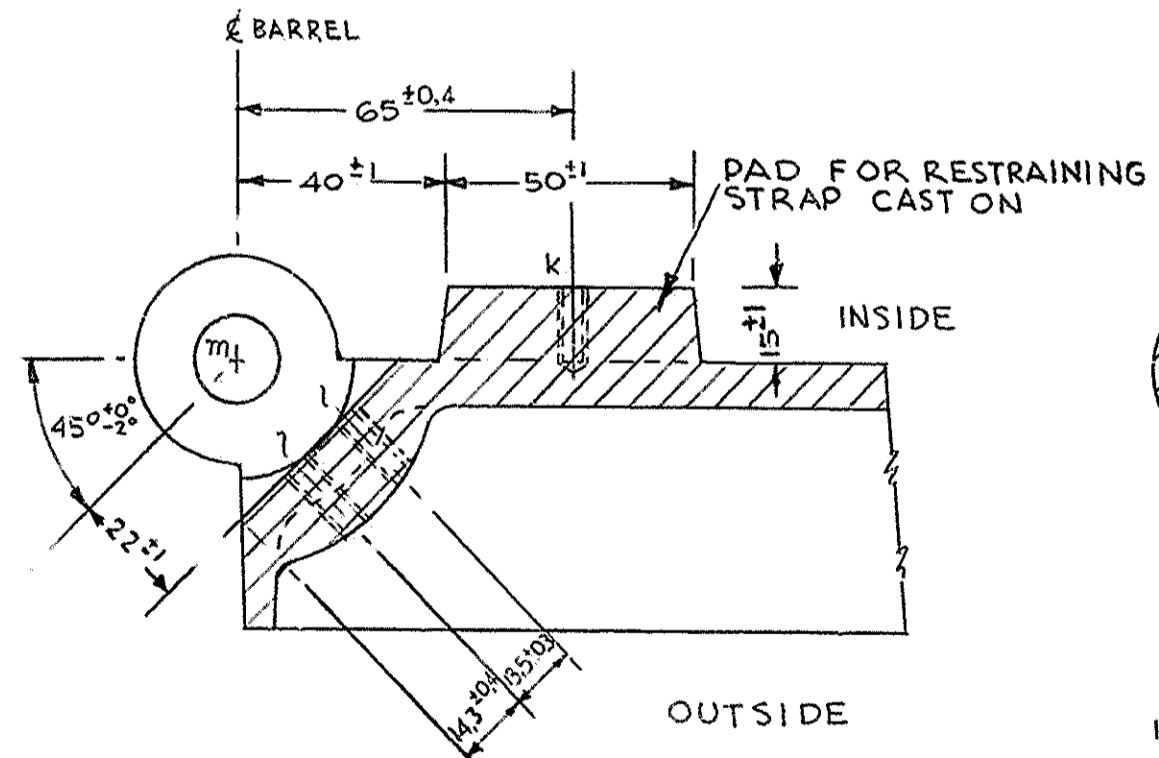


DRILLING SCHEDULE	
REF.	DESCRIPTION
a	TPD. M12 x 30 DEEP
b	TPD. M6 x 25 DEEP
c	TPD. M8 x 19 DEEP
e	TPD. M10
f	TPD. M6
g	TPD. M5
h	TPD. M8
j	TPD. M6
k	TPD. M6 x 15 DEEP
l	TPD. M6
m	15 DIA
n	10 DIA DEEP CSK
p	TPD. M3
q	TPD. M12 x 30 DEEP

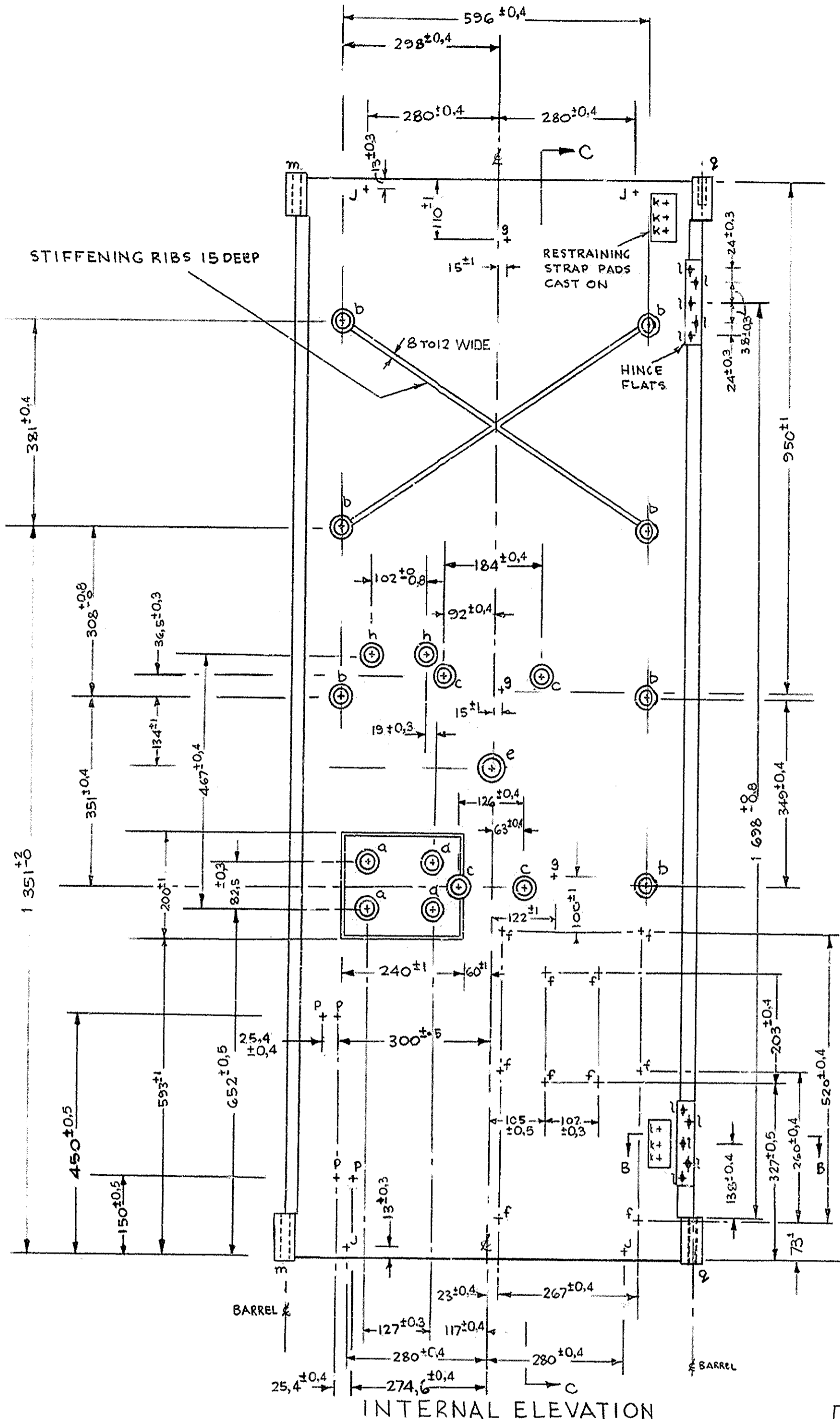
BOSS SCHEDULE			
REF.	LENGTH	DIA AT TOP	DIA AT BOTTOM
a	43MM PAD	25	35
b	33MM	25	35
c	33MM	25	35
e	10	30	40
h	6.5	25	35



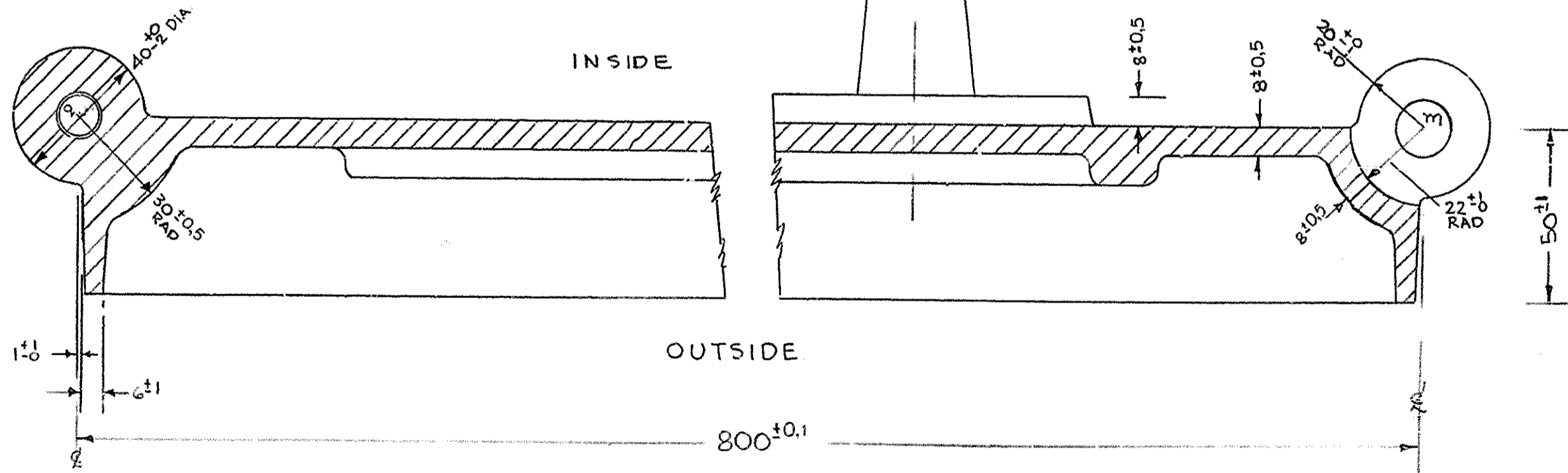
SIDE 2&3/D93033 PART SECTION D-D



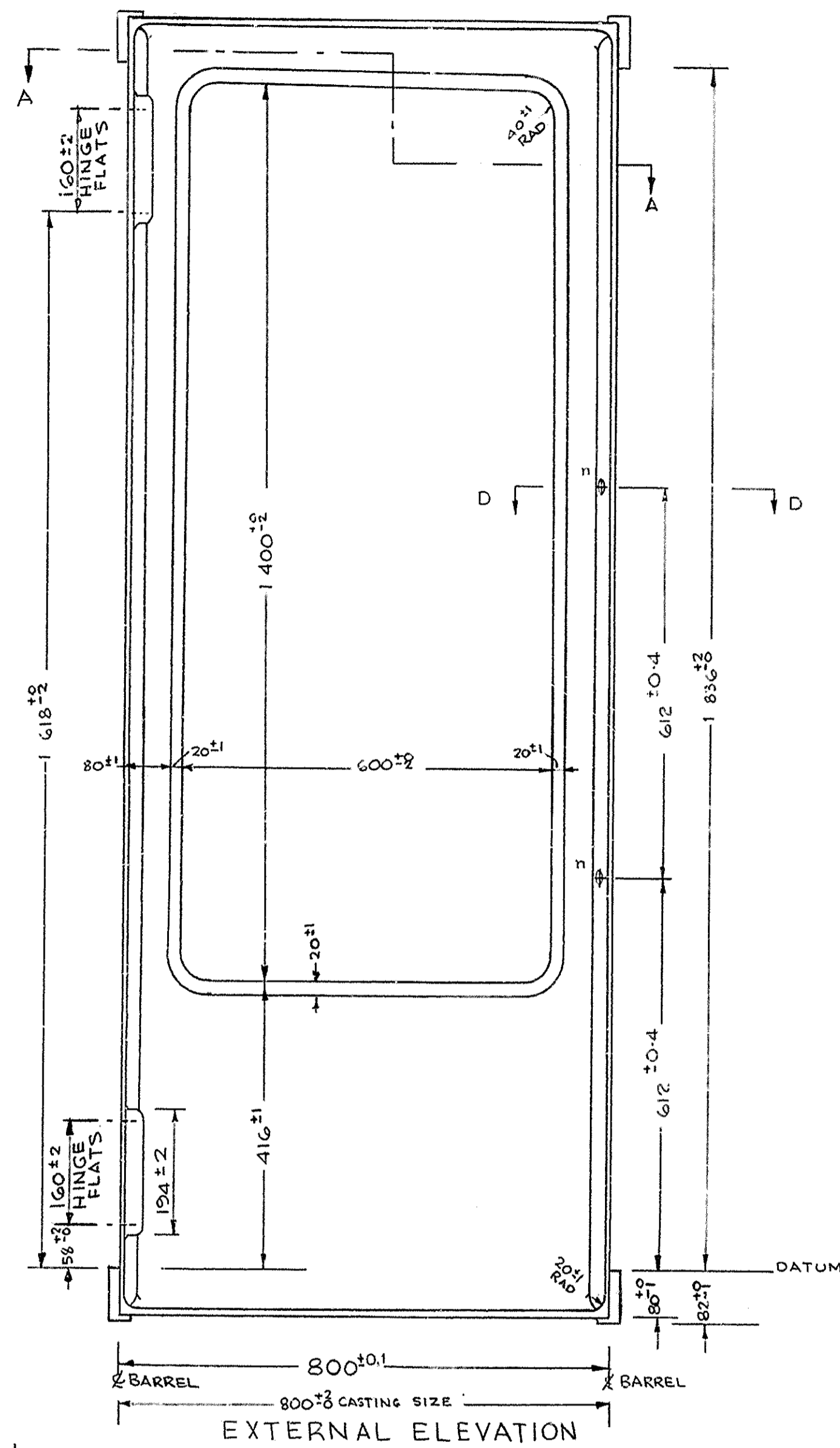
SECTION B-B



INTERNAL ELEVATION



SECTION A-A



EXTERNAL ELEVATION

NOTE:-  
1. RADII IN CASTING TO BE 4±0.5 UNLESS OTHERWISE STATED

FIRST USE: KIOSK No 8 (DRG 93005)

DIMENSIONS IN MILLIMETRES

SIDE 2/D93033 AS DRAWN  
SIDE 3/D93033 AS DRAWN BUT HINGE FLATS AND RETAINING PADS, CSK HOLE 'n' AND HOLE 'q' TO OPPOSITE HAND.

<b>AO</b> <b>AI</b>	DRN CONTROL	CERTIFICATION DATE: 11-7-85	MATERIAL SEE SPEC D 1037	FINISH SEE SPEC D 2437	DO NOT SCALE REFERENCES SPEC D 1000 SPEC D 2437
	BOSSES IN HERE IS W/ POWER EQUIPMENT CLAMP. REFER TO DRAWING FOR DIMENSIONS. REFER TO DRAWING FOR DIMENSIONS. REFER TO DRAWING FOR DIMENSIONS. REFER TO DRAWING FOR DIMENSIONS.				
SIDE 2/D93033			POST OFFICE TELECOMMUNICATIONS HOUSING LTD.		