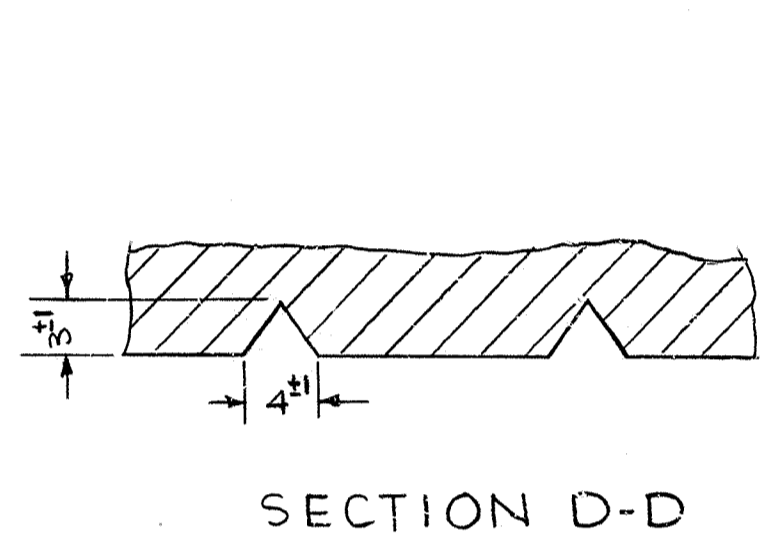


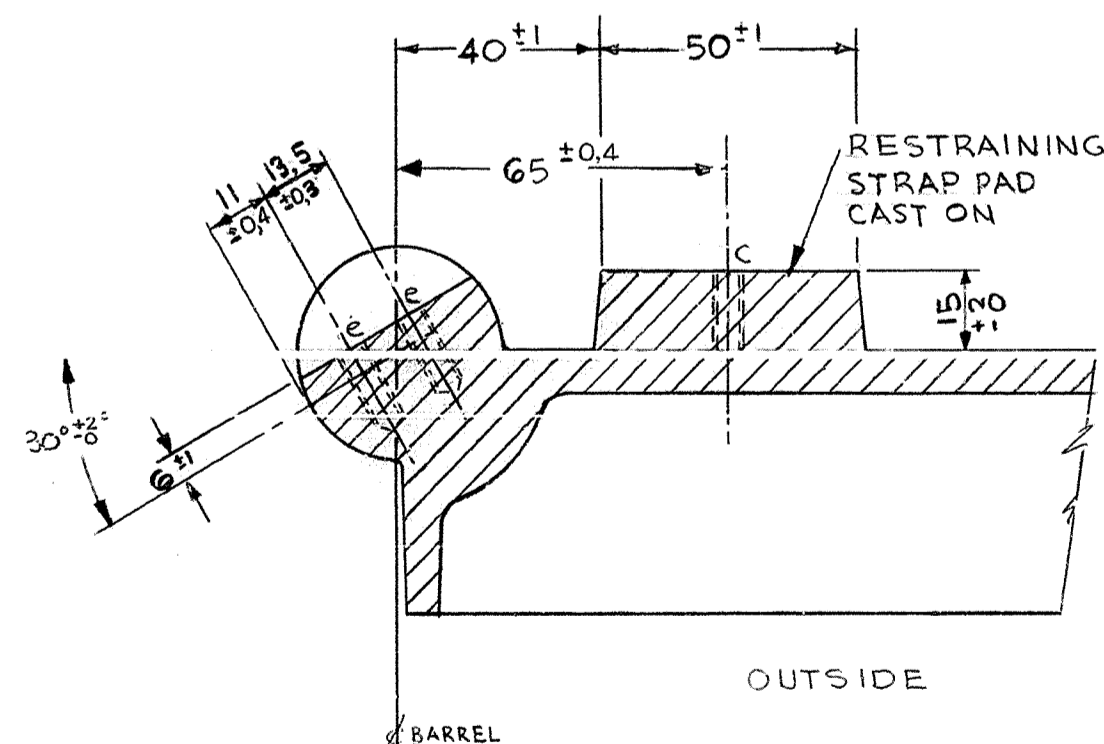
SECTION C-C

| REF | DESCRIPTION |
|-----|---------------------|
| a | TPD. M.4. x 10 DEEP |
| b | TPD. M.6 |
| c | TPD. M.6. x 15 DEEP |
| e | TPD. M.6. x 15 DEEP |

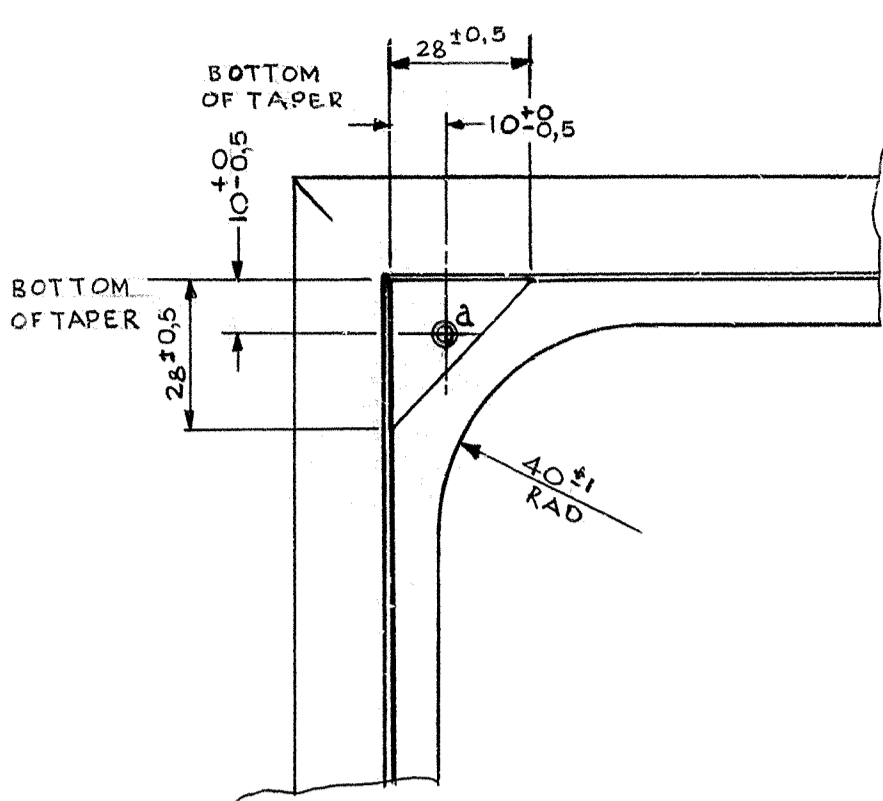
NOTE -
1. RADII IN CASTINGS TO BE 4 ± 0.5 UNLESS OTHERWISE STATED



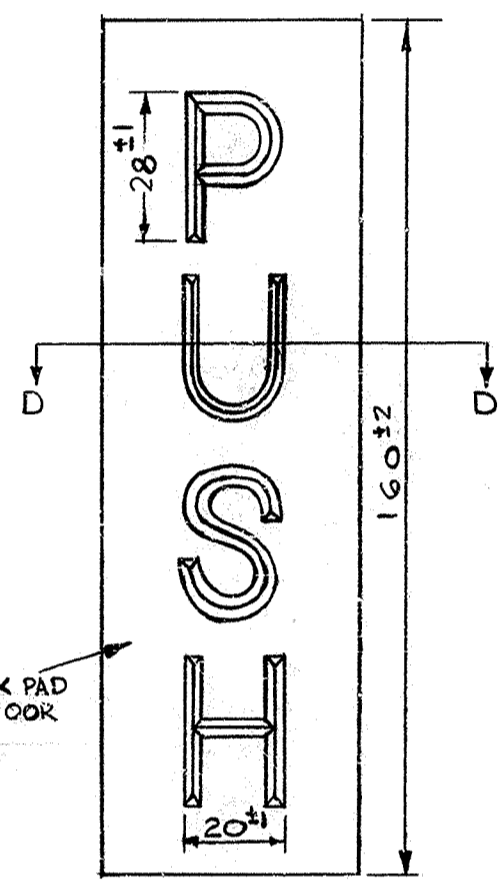
SECTION D-D



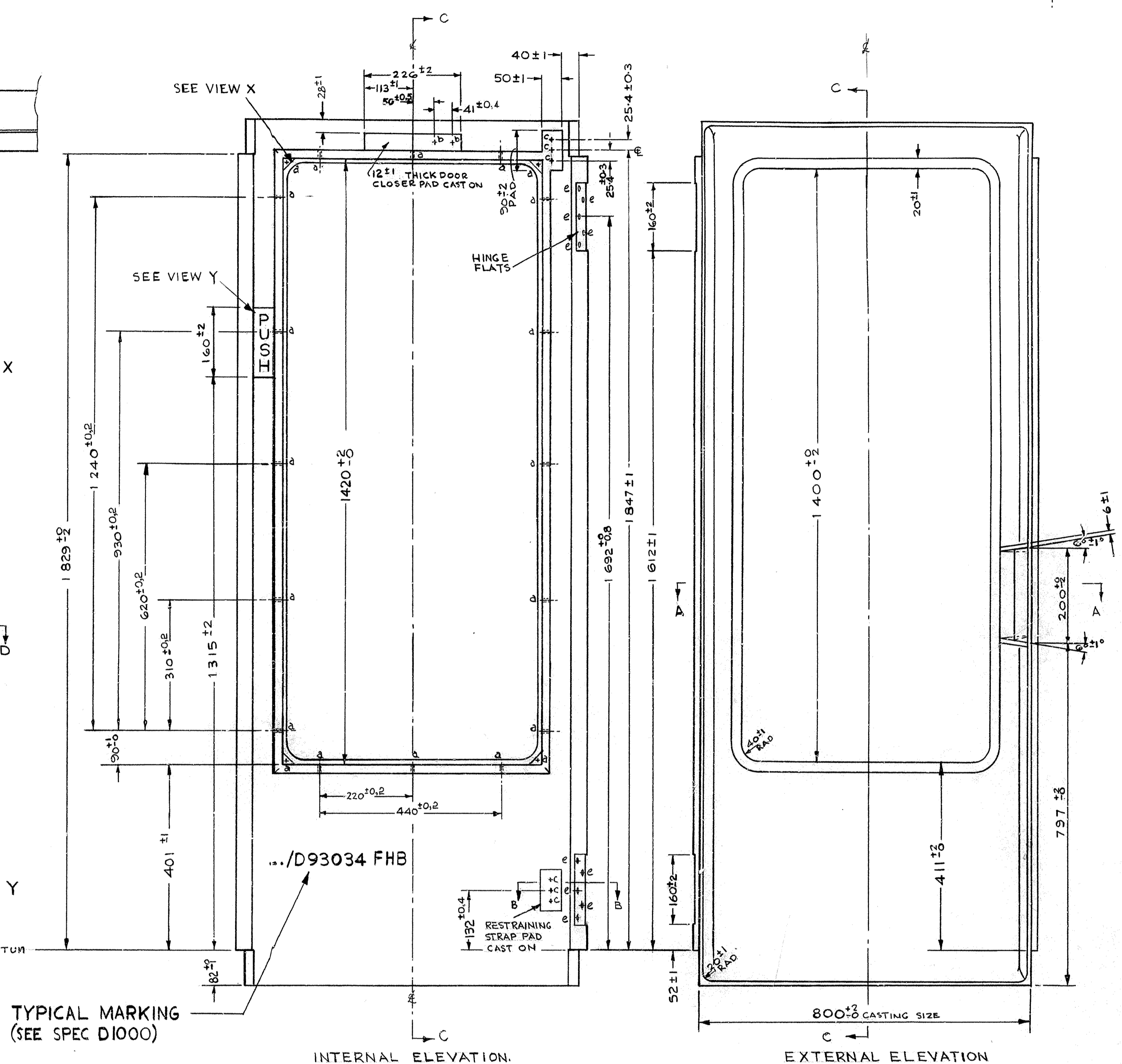
SECTION B-B
OUTSIDE



ENLARGED VIEW X



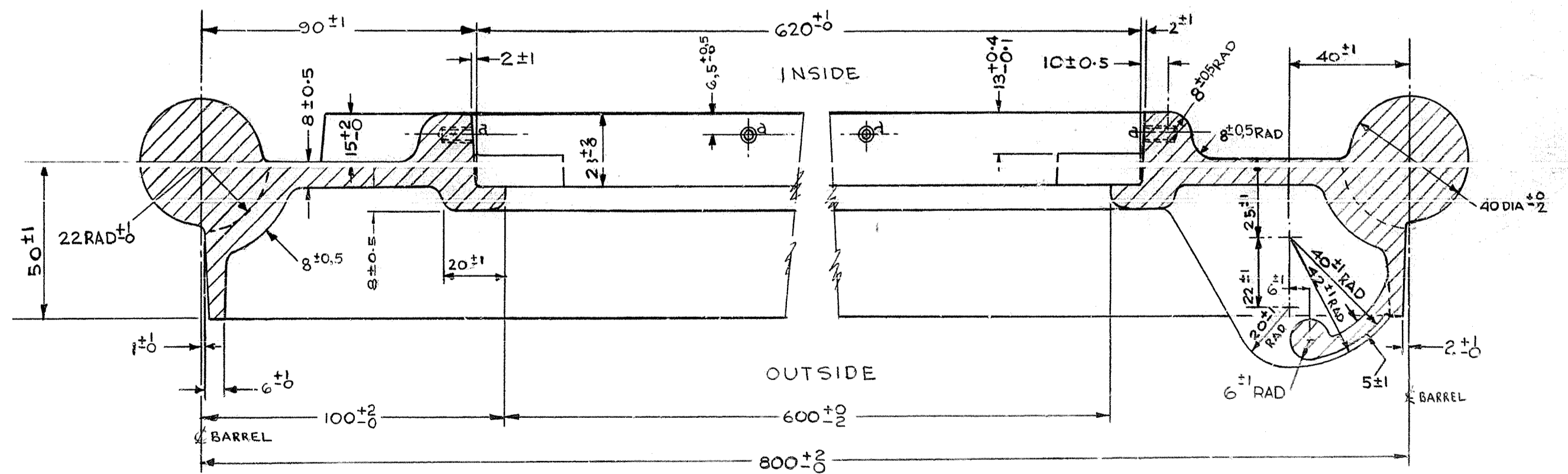
ENLARGED VIEW Y



TYPICAL MARKING (SEE SPEC D1000)

INTERNAL ELEVATION.

EXTERNAL ELEVATION



SECTION A-A

1/D93034 AS DRAWN
2/D93034 TO OPPOSITE HAND

FIRST USE - KIOSK No 8 (DRG 93005)

DIMENSIONS IN MILLIMETRES

© THE POST OFFICE 1374

ORIGINAL SCALE 1/5
DO NOT SCALE

| | | | |
|--|---|---|---|
| DRN CONTRS CKD CONTRS 6 AI CERTIFICATION DATE 21/11/05 | UPDATED TOLERANCES REVISED. 20 ±1 DIM. ON ENLARGED VIEW Y WAS SHOWN AS 10 ±1. DOOR CLOSER PAD WAS 8 ±1 THICK. 30-7-74 DOOR HANDLE SECT OF... MODIFIED... ATTENDANT | MATERIAL ALUMINIUM LM 4M BS1490 FINISH SEE SPEC D2437 DOOR ...D93034 | REFERENCES SPEC D1000 SPEC D2437 SPEC BS1490 |
| | | | |