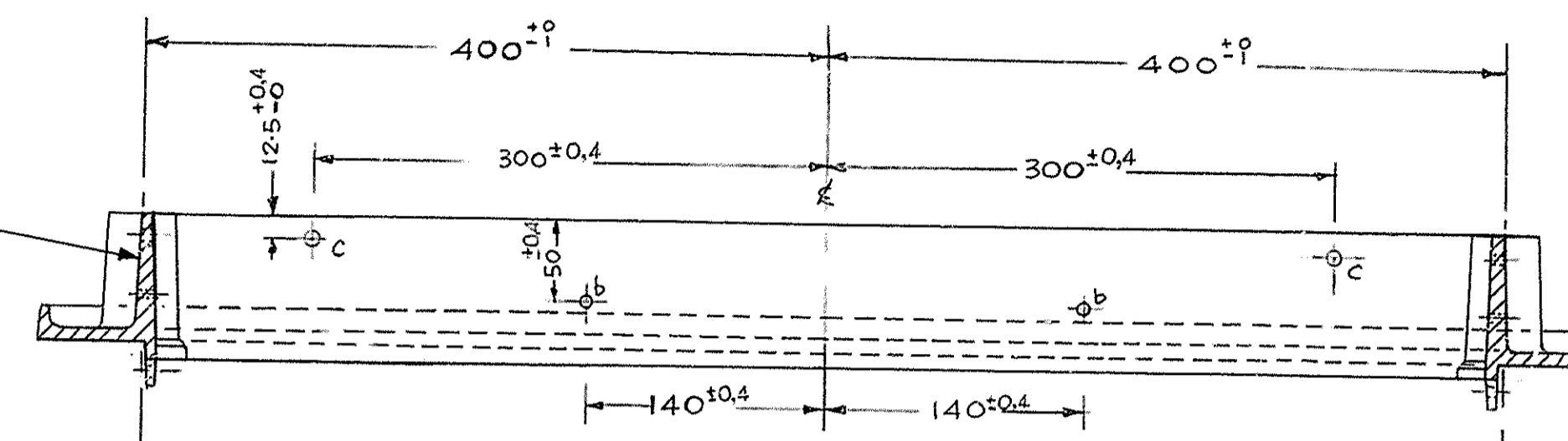


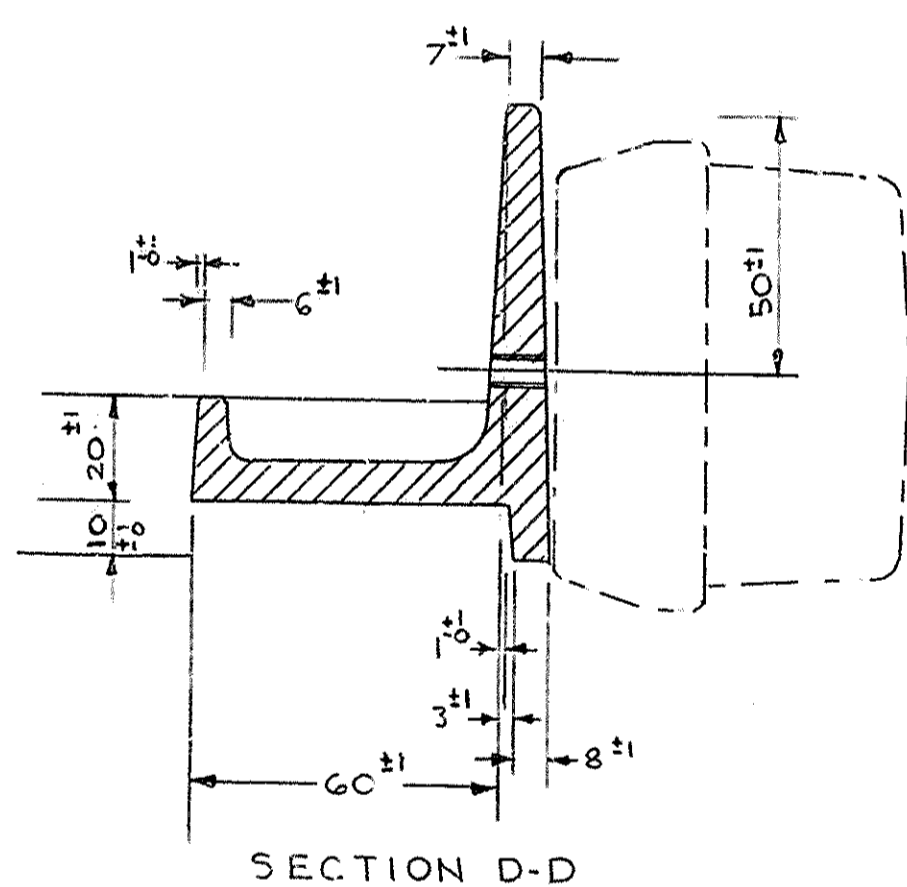
DRILLING SCHEDULE	
REF	DESCRIPTION
a	15 DIA
b	TPD M.G
c	8 DIA
e	TPD M.G x 20MM DEEP
f	AS 'b' (SEE NOTE 1)
g	AS 'b' (SEE NOTE 1)

- NOTE:-
- 1/D93036 AS SHOWN BUT WITHOUT HOLES 'f' & 'g'
 - 2/D93036 AS SHOWN BUT HOLES 'f' REPLACE HOLES 'b' FOR LIGHT FITTING.
 - 3/D93036 AS SHOWN BUT HOLES 'g' REPLACE HOLES 'b' FOR LIGHT FITTING.

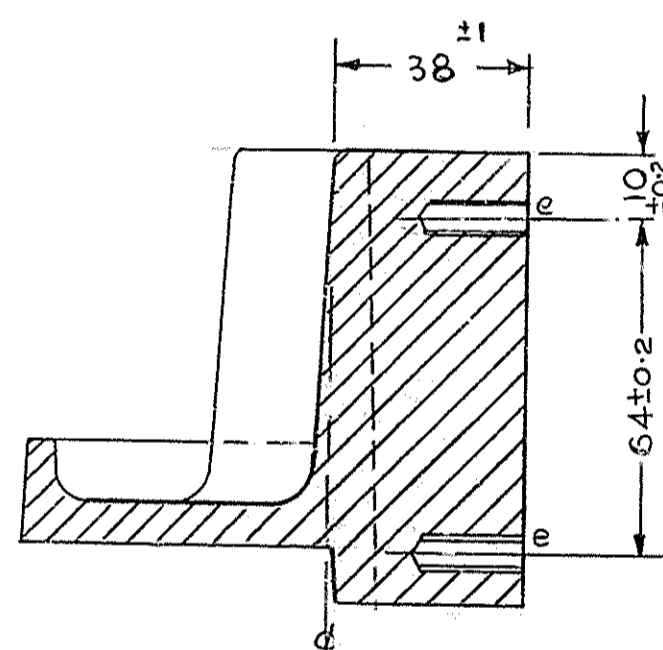
TYPICAL MARKING
.../D93036 FHB
(SEE SPEC.D1000)
(MARKED ON OUTSIDE)



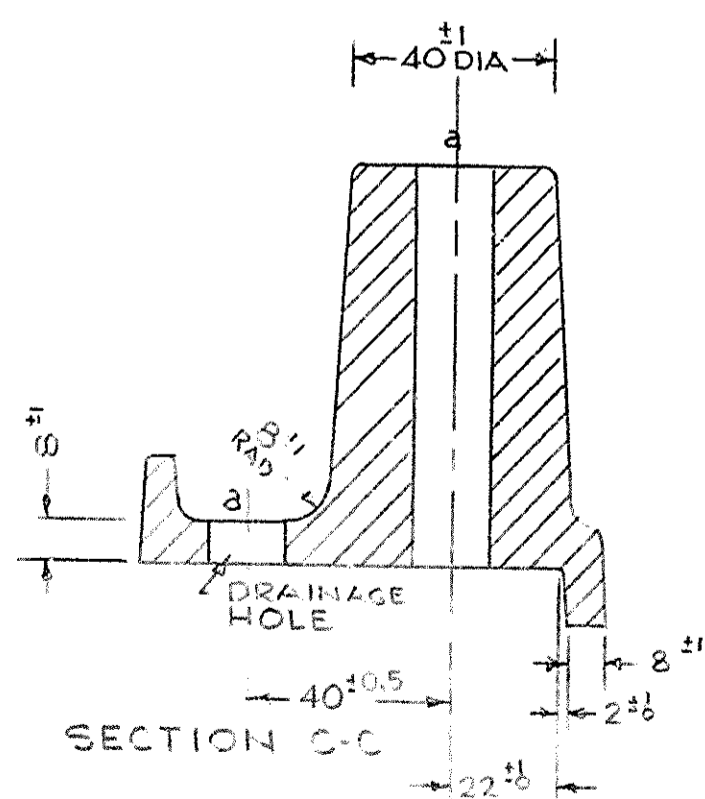
SECTION A-A



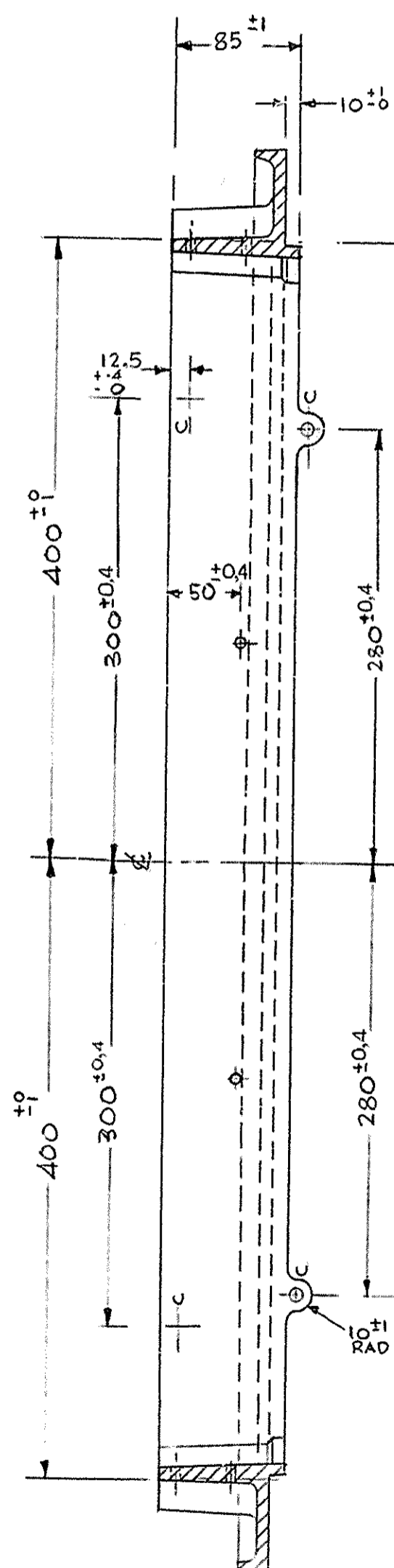
SECTION D-D



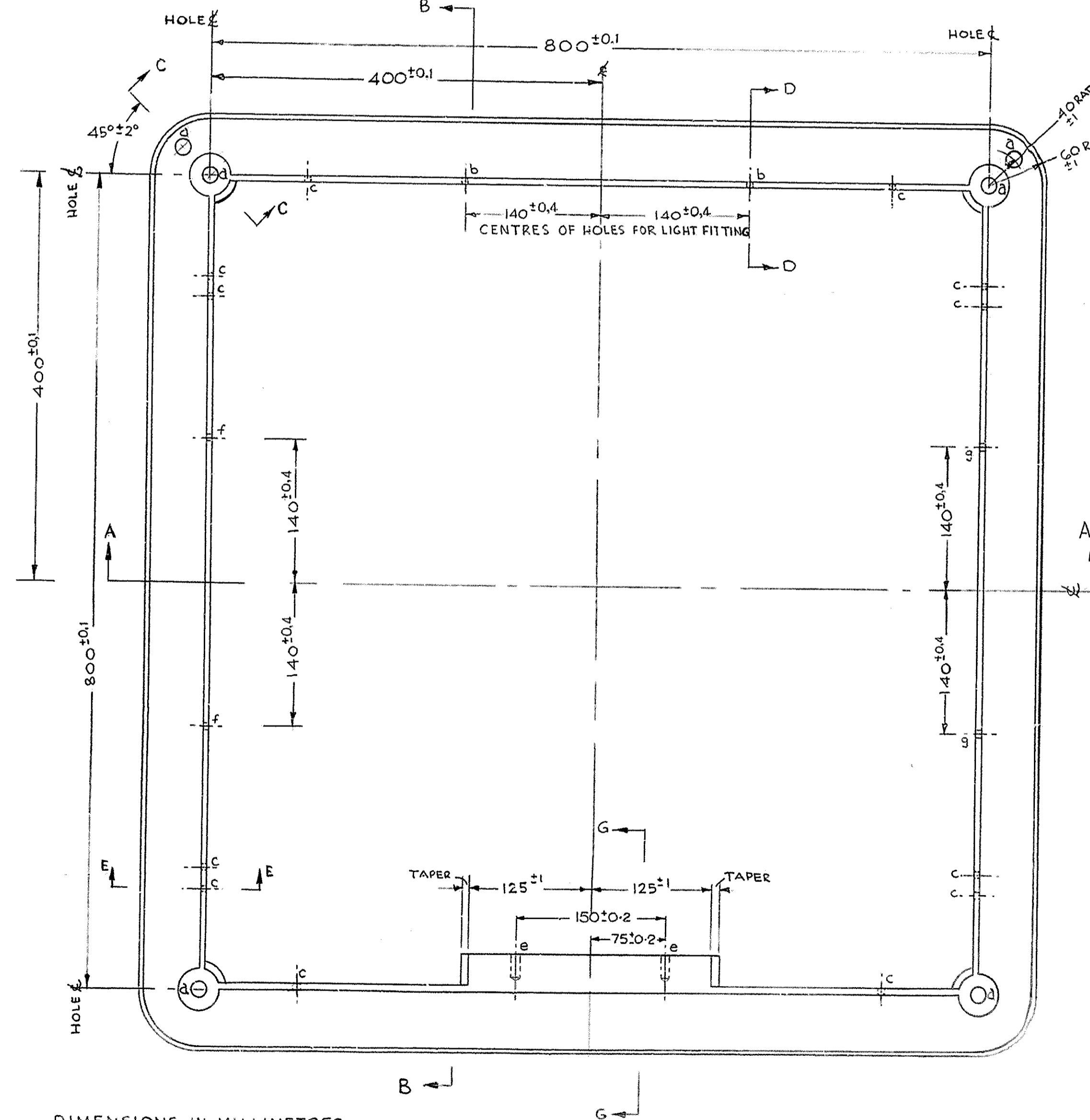
SECTION G-G



SECTION C-C



SECTION B-B



DIMENSIONS IN MILLIMETRES

FIRST USE= KIOSK No 8 (DRG93005)

A0 AI	DRN	CKD	CERTIFICATION	MATERIAL SEE SPEC D2437	FINISH SEE SPEC D2437	DO NOT SCALE REFERENCES SPEC D1000 SPEC D2437
	DATE	21-7-69				
FIXING CENTRES FOR SPRINGS, DOOR CLOSING, HOLES IF CHANGED SEE SPEC D1000				ROOF RING D93036		
AMENDMENT				ISSUE		POST OFFICE TELECOMMUNICATIONS HQRS TD 2-3-4 B11111