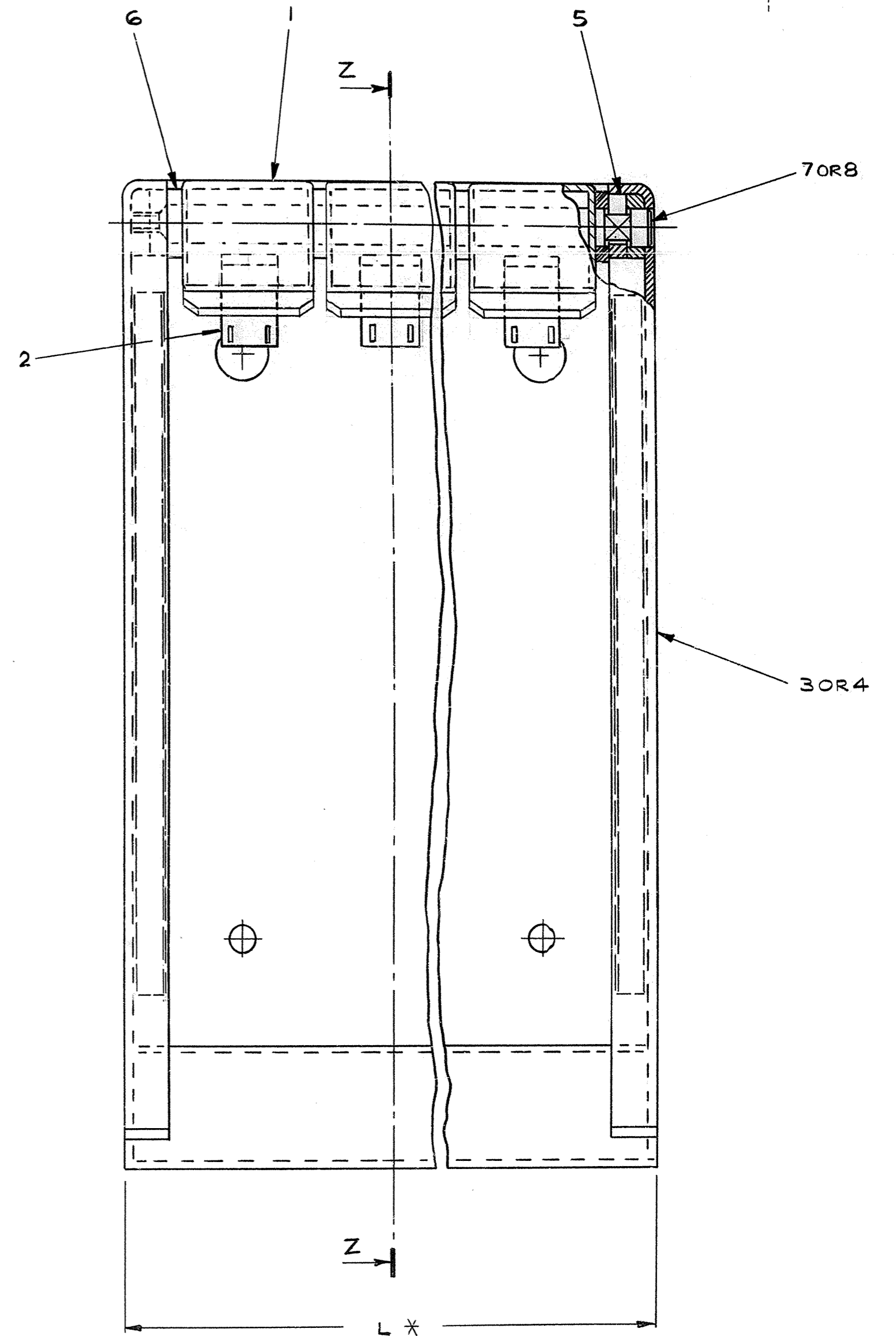


TYPICAL MARKING
8A/---
FHB/99
IN 8.0 WHITE
CHARACTERS

SECTION Z-Z

FIRST USE :- KIOSK NO.10B

HOLDER, DIRECTORY NO.	DIM. L
8A/3	182
8A/5	280



* FOR REFERENCE PURPOSES ONLY

DIMENSIONS IN MILLIMETRES

© British Telecommunications plc 1984

DO NOT SCALE

ORIGINAL SCALE 1:1

A1	DRN LN CKD RBW
A2	CERTIFICATION <i>[Signature]</i>
B701	DATE 28-3-85

MATERIAL FINISH

REFERENCES SPEC D1000
SEE SCHEDULE

HOLDER, DIRECTORY NO. 8A/---
(ASSEMBLY)