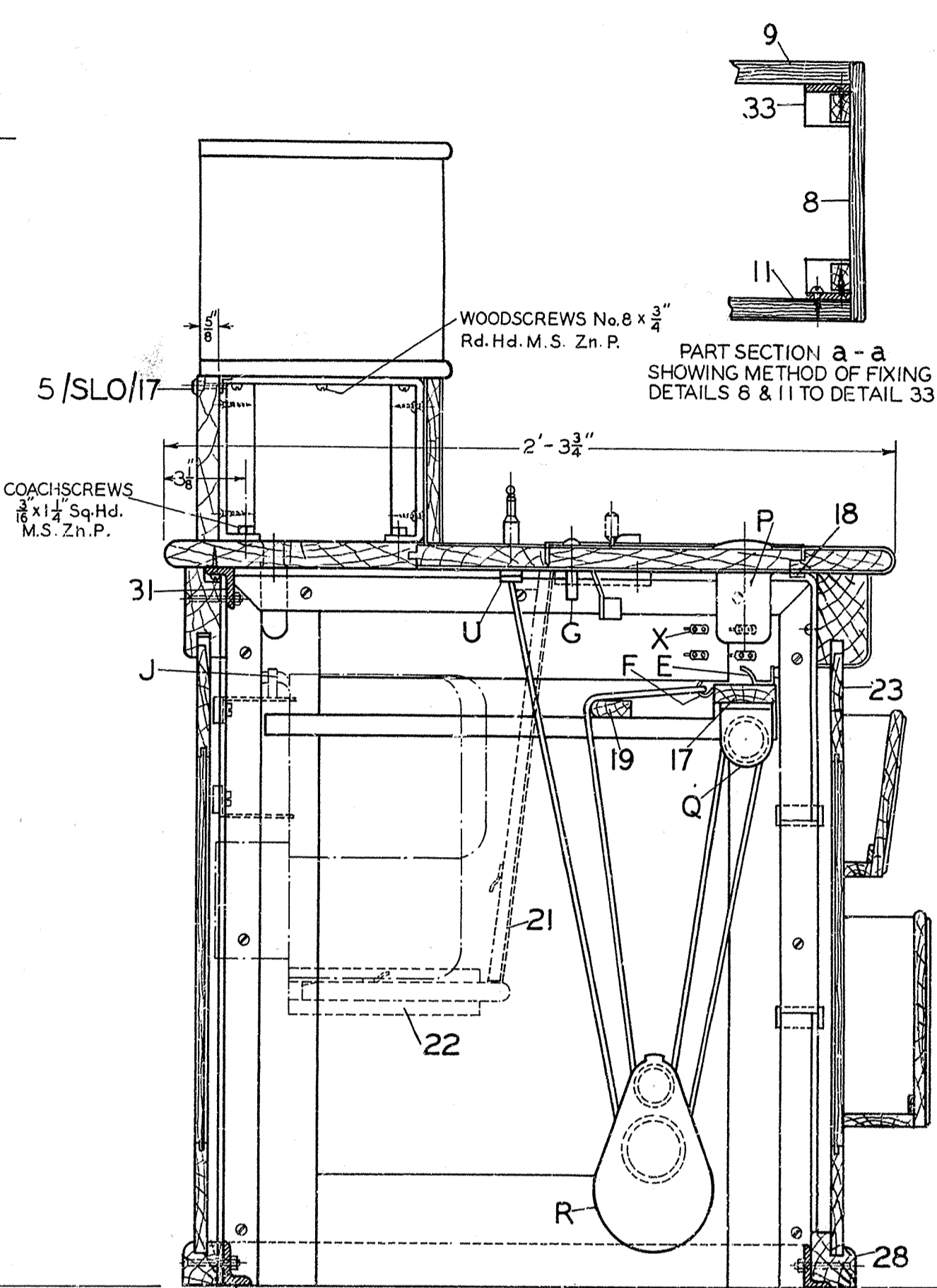
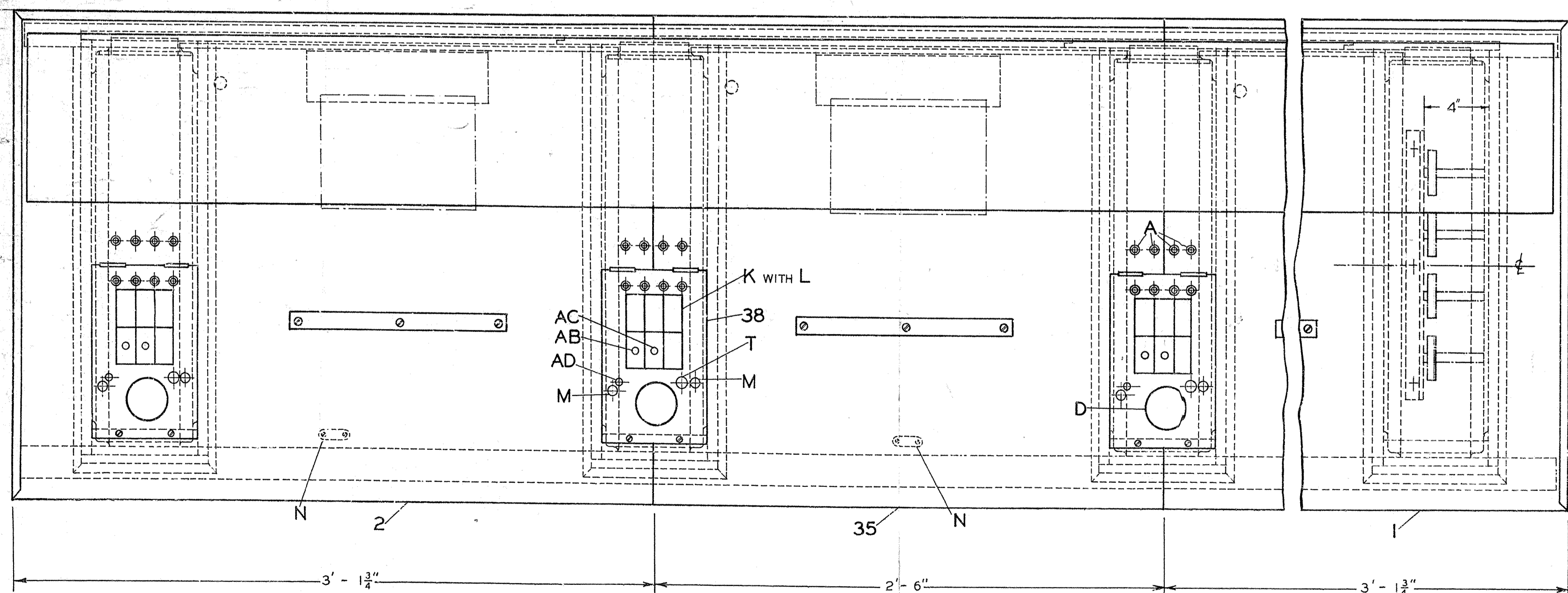


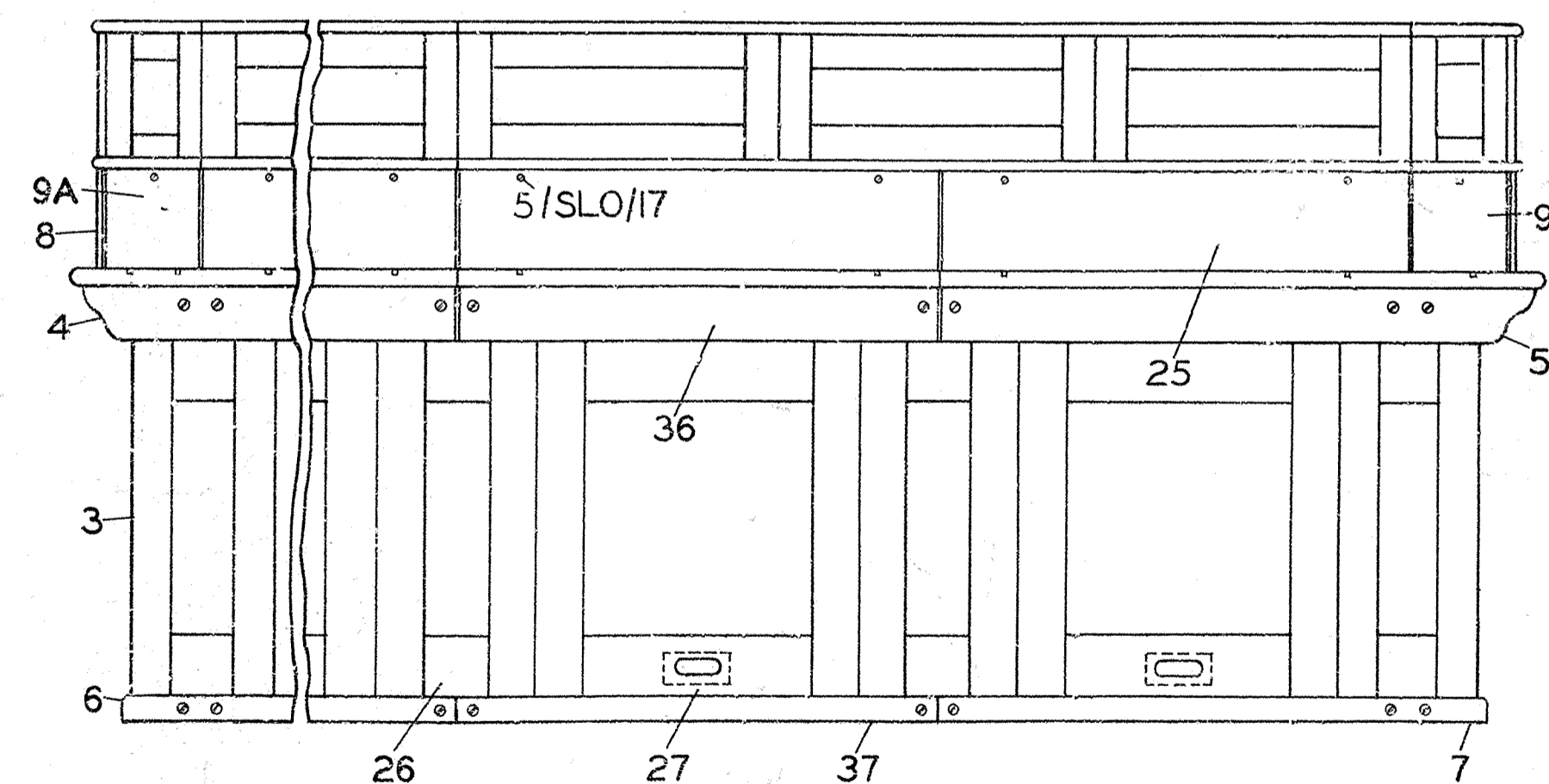
TYPICAL ELEVATION



END ELEVATION PART SECTION



PLAN



REAR VIEW SCALE 1/8"

TYPICAL SCHEDULE

No. OF POSITIONS	No. OF PANELS	SWBD. PHONO No. 3	SWBD. PHONO No. 4	CABLE TRNG SECTIONS	DESK TL 1612	DESK END SET TL 1612	UNIT AUX. APP. No. 74 OR 80
3	7	1	1	STARTER FINISH	1	1	3
4	10	-	2	"	2	1	4
5	12	1	2	"	3	1	5

FOR SWITCHBOARD PHONOGRAM No. 3 SEE DRG. 8573  
 " " " " No. 4 " " 8574  
 " " " " CABLE TURNING SECTION " " 8574  
 " " " " DESK & DESK END SET TL 1612 TYPICAL ASSEMBLIES & APPARATUS SCHEDULE " " 60069

POST OFFICE ENGINEERING DEPT.  
 ENGINEER-IN-CHIEF'S OFFICE T.G. BRANCH

FILE No. 1117	D.O. REF.	DATE 23.2.33
DRAWN J.W.L.	TRACED J.W.L.	CHECKED H.T. T.D.

APPR'D WGD IN DESIGNS SECTION

ORIGINAL SIGNED BY  
 JOHN R. GALL.  
 23.2.33.

SUPERSEDE	AMENDMENT	SUFFIX
	DRG. No. OF SWBD. PHONO No. 4 WAS B571. QUANTITY OF C.T. SECTIONS WAS SHOWN AS 2 IN EACH CASE UNITS AUX. APPS. No. 80 DELETED. A.H. A3/220. T.D. R.A.E. 23. 9. 37.	E
	REDRAWN. ITEM 38 AMENDED TO CONFORM TO DET. 38, DRG. 60043. A.H. A3/2761. J.L. (1/17) 4.11.38.	F
	DETS. 40, 41, 42 & 2/63446 ADDED TO RIGHT HAND END SET. SPECIM. No. REVISED.	G
	5/SLO/17 WAS 1/SLO/17	H

8/8/38 J.W.L. 1/7/39

63446	
63434	
8573	
8574	TG 2057
9711	TG 2058
9722	PET 95
9723	D.I.P.
DRAWINGS	DIAGRAMS
	SPECS

SWITCHBOARDS PHONOGRAM Nos. 3 & 4 (MK I)  
 DESK TL 1612 (MK I) & DESK END SET TL 1612 (MK I)

SPECS. TG 2057 TO COND.  
 SCALE: 1/8" UNLESS OTHERWISE STATED.  
 DRG. 9995