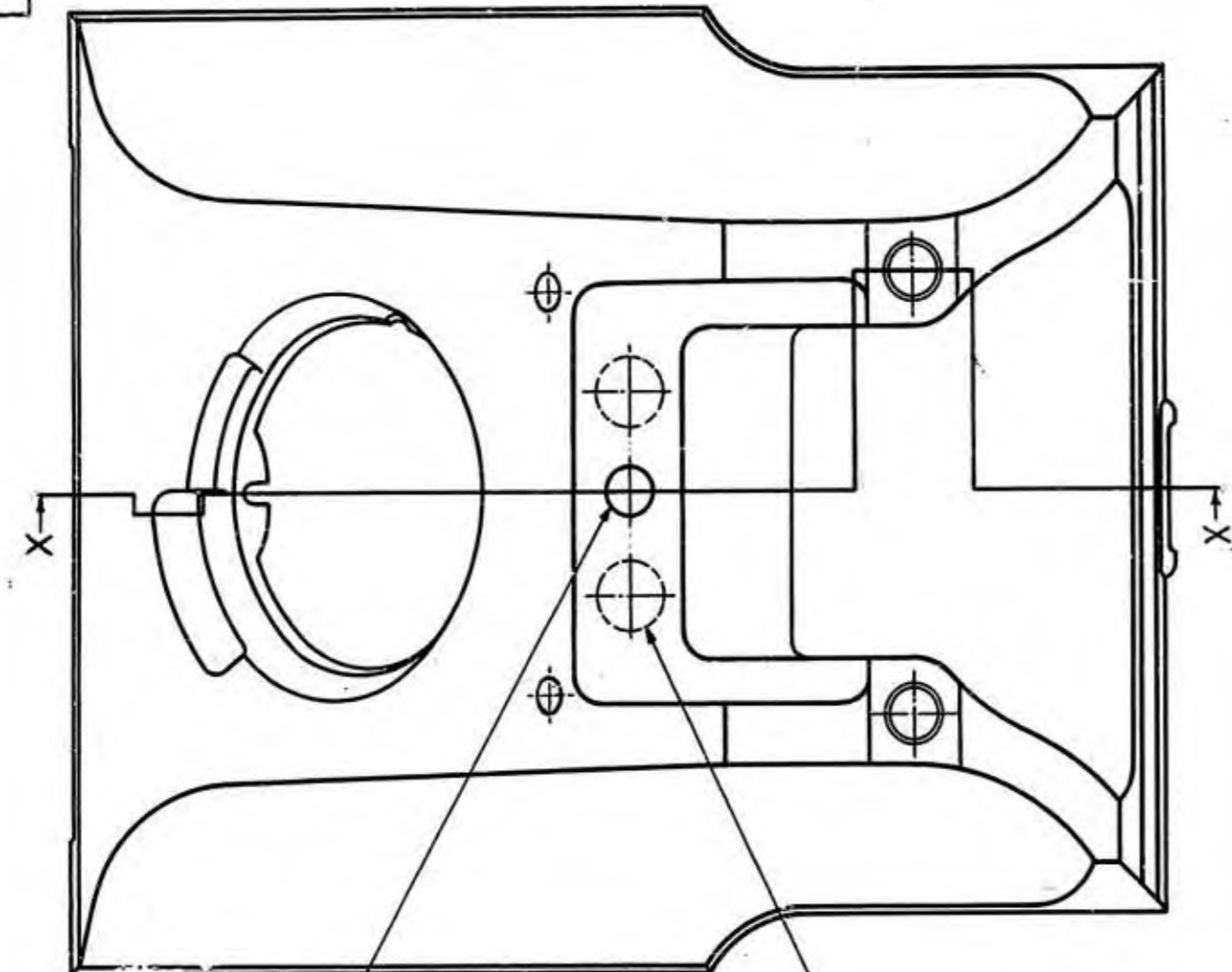
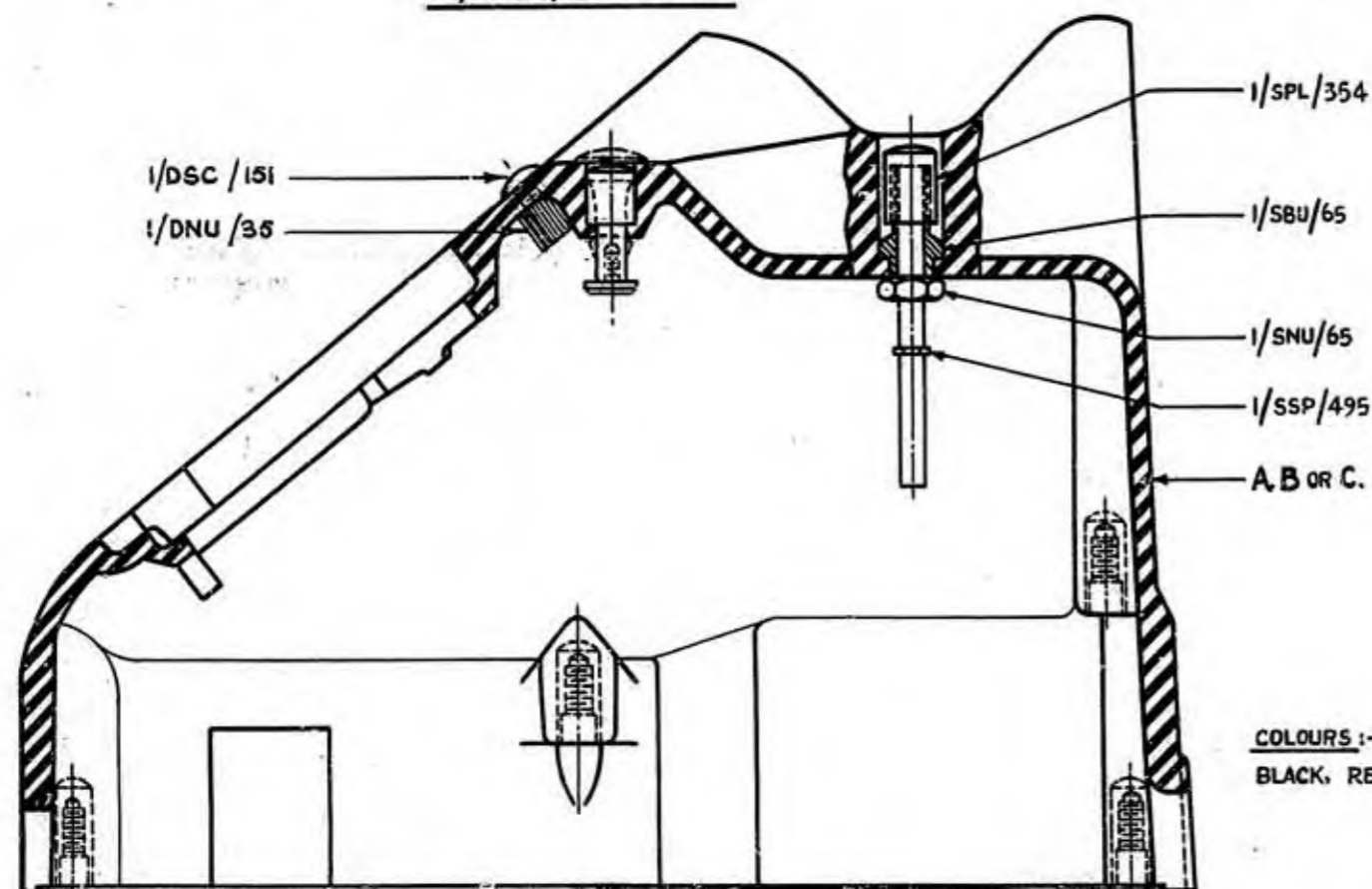


DRG. SCA/47



2/SCA/47 SHOWN



COLOURS :-
BLACK, RED, IVORY & GREEN.

ITEM.	DESCRIPTION.	QTY.			DRG.
		1/SCA/47 (COLOUR)	2/SCA/47 (COLOUR)	3/SCA/47 (COLOUR)	
A	1/SCA/20. (COLOUR) (CASE COMBINED SET) (1 PIECE)	1	-	-	SCA/20
B	2/SCA/20. (COLOUR) (CASE COMBINED SET) (1 PIECE)	-	1	-	SCA/20
C	3/SCA/20. (COLOUR) (CASE COMBINED SET) (1 PIECE)	-	-	1	SCA/20
D	PART 1/SPL/325 PLUNGER, COMPLETE.	-	1	-	SPL/325
1/DBU/11	BUTTON, DUMMY (COLOUR)	-	-	3	DBU/11
1/SBU/27	BUSH, METAL	-	2	2	SBU/27
1/SBU/65	BUSH, METAL	2	2	2	SBU/65
1/SNU/65	NUT, HEX.	2	2	2	SNU/65
3/SPL/325	PLUNGER	-	-	3	SPL/325
1/SPL/354	PLUNGER	2	2	2	SPL/354
1/SSP/495	SPRING, CLAMPING	2	2	2	SSP/495
1/DSC/151	SCREW, SPECIAL	-	2	2	DSC/151
1/DNU/35	NUT, CIRCULAR	-	2	2	DNU/35

FIRST USE - TELES NO'S 306...ETC. (MKS. 1A & 2A)

POST OFFICE ENGINEERING DEPT.
E-IN-C'S OFFICE S BRANCH

DISTRIBUTION
P.O. GENERAL

REFERENCES
DRAWINGS DIAGRAMS SPEC. D1000

SEE SCHEDULE SD32

ASSEMBLY DRG. WIRING DGM.

FILE SPEC.

SCALE: 1" = 1" 3RD ANGLE PROJECTION

DECIMAL DIMENSIONS NOT TOLERANCED SUBJECT TO

APP'D. IN SI SECTION DRN. CONTRS.
C.K.D. C.P. T.C.D. CONTRS.

T.A.C. ITEM DATE 14-9-48

AMENDMENT SUFFIX

PART 1/SBU/27 DELETED FROM SCHEDULE. 10-1-49

PARTS 1/DSC/151 & 1/DNU/35 ADDED. SC'S FOR ITEMS B & C DELETED. 10-1-49

PART 3/SPL/325 DELETED. 1/DBU/11 WAS 1/SBU/4. 10-1-49

DO NOT SCALE
(A MICROFILM PROCESS PRINT)

FOR SUPERSED

PARTS 1-3/SCA/47 (COLOUR)
(CASE COMPLETE
FOR MICROTELEPHONE SET)

DRG. SCA/47

E-IN-C.211
GEN. GEN. D0032

/D.O.

MASTER

TRIM TO THESE LINES 13x24"