

HOLE, TAPPED 2 B.A.  
x .375" DEEP, CBD. .195" DIA.  
x .062" DEEP.

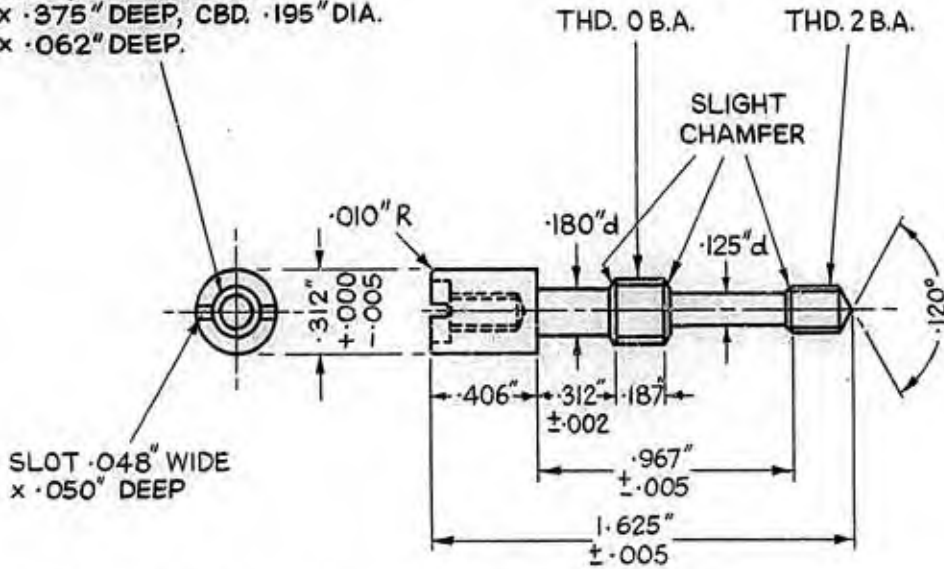


FIG. 1 MATERIAL :- BRASS, HARD.  
FINISH :- NI. P. MATT.  
FIRST USE :- BELL SET NO.25

STOCK M

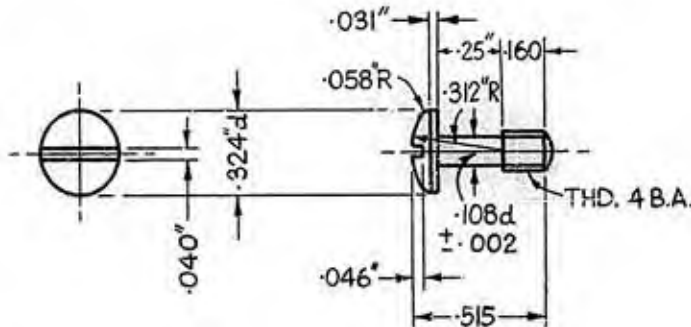


FIG. 2 MATERIAL :- BRASS, HARD  
FINISH :- NI. P. MATT.  
FIRST USE :- UNIT, TELEPRINTER, BROADCAST NO. 3

STOCK L

REDRAWN. NO AMENDMENT.			DO NOT SCALE	
24.11.72			REFERENCES	
PART 1. TOLERANCE TO DIM. .312"				
ADDED. TCW. CDA. 1.6.47				
FORMERLY DRG. 11,508.				
AMENDMENT				
A			ISSUE	
A3 A4	DRN H.K.	MATERIAL	FINISH	
	CKD	PARTS 1 & 2/SSC/338		
	CERTIFICATION Mc. C. JOHN R. GALL	SCREWS, LOCKING		
THQ 4653	DATE 26.11.32	POST OFFICE TELECOMMUNICATIONS HEADQUARTERS TD.II. SECTION		SSC 338