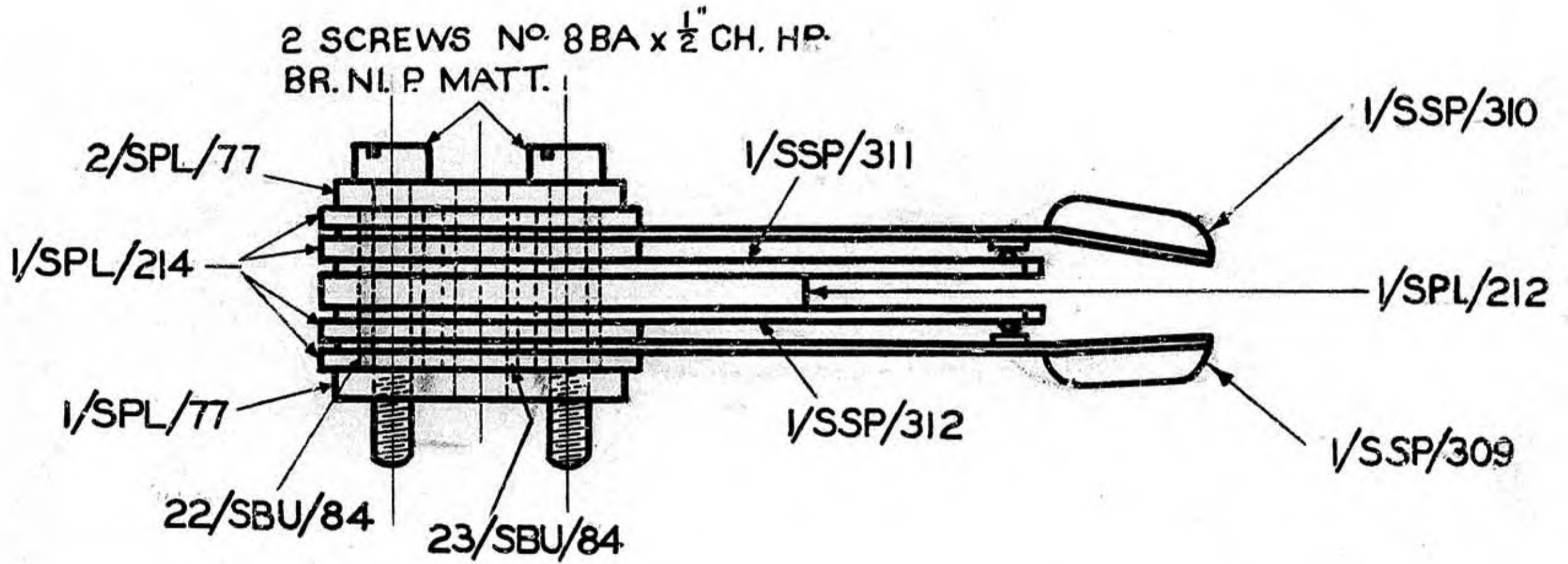
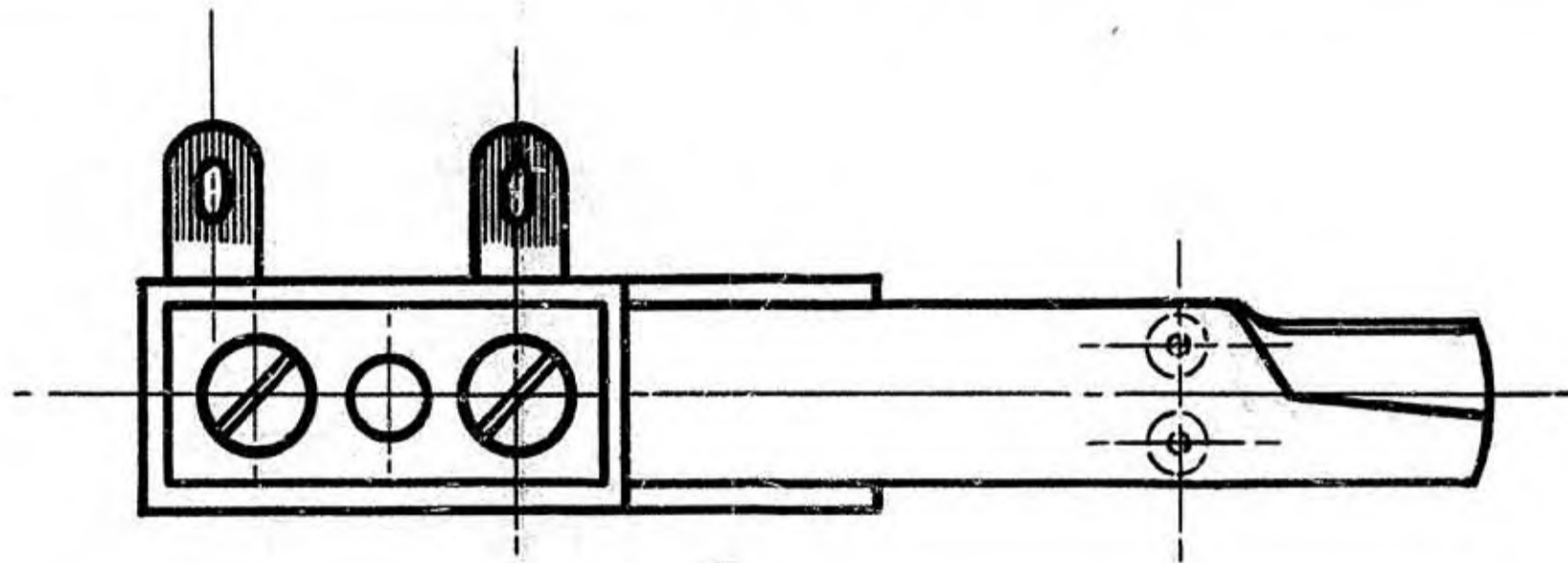


POST OFFICE ENGINEERING DEPT. ENGINEER-IN-CHIEF'S OFFICE.			
PART 1/SSP/709 (SPRING-SET ASSEMBLY.)		DRG. SSP/709	
Amendment.		SPEC'N. -	
Suffix.	Tele.No. in Title & First Use was No. 162, MK. 2. No. A2/1416. <i>M/S</i> C.P. 30.4.37.	Scale :- $\frac{2}{1}$	File Ref. <input checked="" type="checkbox"/>
<i>A</i>	FORMERLY DRG. 12,859. NO AMENDMENT. <i>R70</i> A2/4196 <i>AD</i> <i>BS</i> 21-10-38	Drawings Diagrams & Spec'ns.	Drawn. } Siemens Bros Traced. } Checked. Contr's.
			Date. 25.2.37
		Appr'd <i>[Signature]</i> in S Branch	
		<i>Freid</i>	
		Spec. D. 1000	



SCHEDULE

PART	QTY.
22/SBU/84	2
23/SBU/84	1
1/SPL/77	1
2/SPL/77	1
1/SPL/212	1
1/SPL/214	4
1/SSP/309	1
1/SSP/310	1
1/SSP/311	1
1/SSP/312	1
NO 8 BA x 1/2" CH. HP. SCR. BR. NI. P. MATT.	2

FIRST USE. TELEPHONE NO 1/162, MK. I.
(PART 2/SSW/1)

T.18224(S)