

LANDIS & GYR

AGIFON 100

Table-top payphone with dual mode operation



AGIFON

100

The Agifon 100 is a table-top, coin operated payphone that can also be used as a normal telephone by the owner or renter.

The dual mode facility enables the proprietors of restaurants, shops, clubs, bars etc, to offer their customers a payphone service and retain the convenience of a subscriber telephone for their private use.



Designed for use in semi-protected environments with limited supervision, the Agifon 100 can be connected to any telephone line with metering pulses for local, national and international calls. A stand-alone version for connecting to lines without metering pulses is also available.

The Agifon 100 provides many advanced user facilities and incorporates the latest microprocessor technology. It can be easily adapted to meet the standards and requirements of telecommunication authorities worldwide.

GENERAL DESCRIPTION : The clean lines, uncluttered styling and carefully selected colour range of the Agifon 100 are designed to complement the most modern decor.

The unit comprises two basic sections, the top compartment containing the mechanism and electronics housed in tough ABS plastic, and the base or cash compartment manufactured in a strong black polycarbonate.

Features include push button dialling, a 4-digit liquid crystal display and a single coin entry slot which accepts up to 6 different coin denominations of most international currencies.

Designed as a table-top, portable unit, the Agifon 100 can easily be transferred from one location to another as required. For added security however, provision is made in the base of the unit for attaching a safety chain or for permanently securing the payphone in a particular location.

A key-operated switch for selecting the operating mode, ie 'payphone' or 'normal', is located beneath the handset. Alternatively, a user-programmable coded security number is available to access the 'normal' mode.



TARIFF PROGRAMMING : The tariff or call rate charged by the Agifon 100 in the 'payphone' mode can be easily programmed into the payphone via the keypad.





Although many owners accept their local telephone authority's standard payphone rate per unit, they welcome the facility to increase the rate to cover any overheads they may incur in providing a payphone service. However, access can be restricted to the installer/maintainer if required by the telecommunication authority. Selected numbers can also be programmed for non-chargeable or emergency calls.

The owner of a payphone is normally billed for all calls at the standard telephone rate and retains the contents of the cash box.

OPERATION : The owner of an Agifon 100 first selects the operating mode using the key switch or by entering his security code via the keypad.

PAYPHONE MODE : The user lifts the handset and inserts sufficient money to cover the minimum fee. The display stops flashing when this has been reached and indicates the amount of credit available. The user then dials the number required. The display gives a 'countdown' of the credit level as the call proceeds, and further coins may be inserted at any time during the call without causing any interruption. Up to 4 coins may be 'stored' at any time.

There is an audible warning and flashing visual display when credit is about to expire, allowing time for further coins to be inserted.

At the end of the call, unused coins are refunded when the handset is replaced; alternatively, additional calls can be made using the credit balance, by pressing the 'follow-on-call' button and redialling.

SUBSCRIBER MODE : In this mode the Agifon 100 may be used by the owner as an ordinary private telephone.

As an option, the display can be used in this mode to indicate the cumulative cost of calls. This facility can be used, for example, in a restaurant to allow a guest to make calls without inserting coins, the cost being added to his bill.



TECHNICAL DESCRIPTION

The Agifon 100 has been designed using an easy-to-service modular construction, all modules being compatible with the Agifon 200 wall mounted model.

The patented Landis & Gyr electronic coin validation system measures the diameter, thickness and alloy content of the coin. The system can easily be adapted to suit most currencies and newly issued coins.

The electronics incorporate anti-fraud devices, and a self-diagnostic maintenance system supported by the display, enables field engineers rapidly to check and rectify any malfunction.

The electronic and mechanical sub-units are isolated from the cash compartment to allow independent access by the maintainer and cash collector.

The Agifon 100's solid state system can be readily adapted to meet the requirements of telecommunication authorities worldwide. A model is available which operates as a self-metering payphone without the need for metering pulses from the exchange.

For further information:

Landis & Gyr Communications Ltd

Technical Sales

Ebblake Industrial Estate, Verwood,

Wimborne, Dorset,

England BH21 6BB

Telephone 0202 824644

Telex 418341 INSRAD G

Fax 0202 822261

TECHNICAL SPECIFICATION

MECHANICAL

- Upper section cover, ABS plastic; base, black polycarbonate.
- Cash capacity – 1.0 litre.
- Single escrow insertion force coin slot.
- Weight: 2.5 Kg.

ELECTRICAL

- AC characteristics as required, ORE or LR.
- Dialling by DTMF or loop disconnect (link selectable).
- Incoming call facility with high impedance tone caller (link selectable).

POWER

- Line powered
- Off hook – 20 -120 mA
- On hook – 0 -3 mA
- Terminal voltage at 20 mA – 8.2V.typ

CALL CONTROL

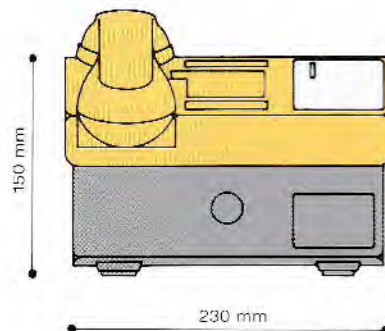
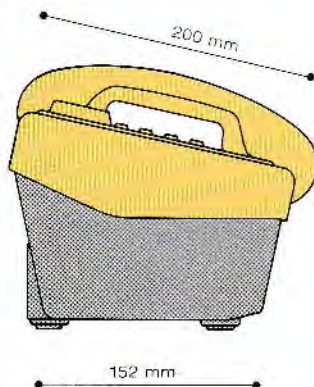
- Pre-pay operation.
- Network metered with internal default timer or stand-alone with variable-period, fixed fee or fixed period, variable fee charging algorithm.
- Local, national and international access.
- Free and barred number facilities.
- 50 Hz, 12 Khz or 16 Khz meter pulse detection.

MAINTENANCE

- Modular design for easy maintenance.
- Built-in test diagnostics.
- Internal error logging.

ENVIRONMENTAL

- Temperature:
0°C to 50°C operating.
-15°C to 60°C storage.
- Humidity: (non-condensing)
0% to 75% RH operating
0% to 95% storage.



LANDIS & GYR

Your access to the World's networks