

Panasonic

Proprietary Telephone
For Electronic Modular switching Systems

Reference Manual



KX-T7020E



KX-T7050E



KX-T7130E

The KX-T7xxxE Range of Keyphones are compatible with the Panasonic Electronic Modular Switching Systems.

KX-T30810BE

KX-T61610BE

KXT123210BE

Please read this manual before using

Cautions

- Installation and operation of this apparatus is under controlled conditions of ambient temperature and a relative humidity not greater than 60%.
- Avoid installing the apparatus in damp or humid environments, such as Bathrooms or Swimming Pools.
- 999 or 112 can be dialled on the apparatus after accessing an External Line for the purpose of making outgoing calls to the Emergency Services.
- During dialling, this apparatus may tinkle the bells of other telephones using the same line. This is not a fault and we advise you not to call the Fault Repair Service.
- If the apparatus does not operate properly, disconnect the unit from the extension line cord and then connect again.
- Power failure transfer – Even if the KX-T7130E is connected to a telephone line, it will not operate during a power failure.

This Telephone Set will not operate on the original version of the KX-T30810BE. All the features described in this manual are available on the upgraded versions of the KX-T123210BE. Some of the features are not available on the other models (original versions of KX-T61610BE/KX-T123210BE and upgraded versions of KX-T30810BE/KX-T61610BE). For further details, please see the last page of this manual titled 'Version Information'.

For further details, see the Installation Manual for the Telephone System.

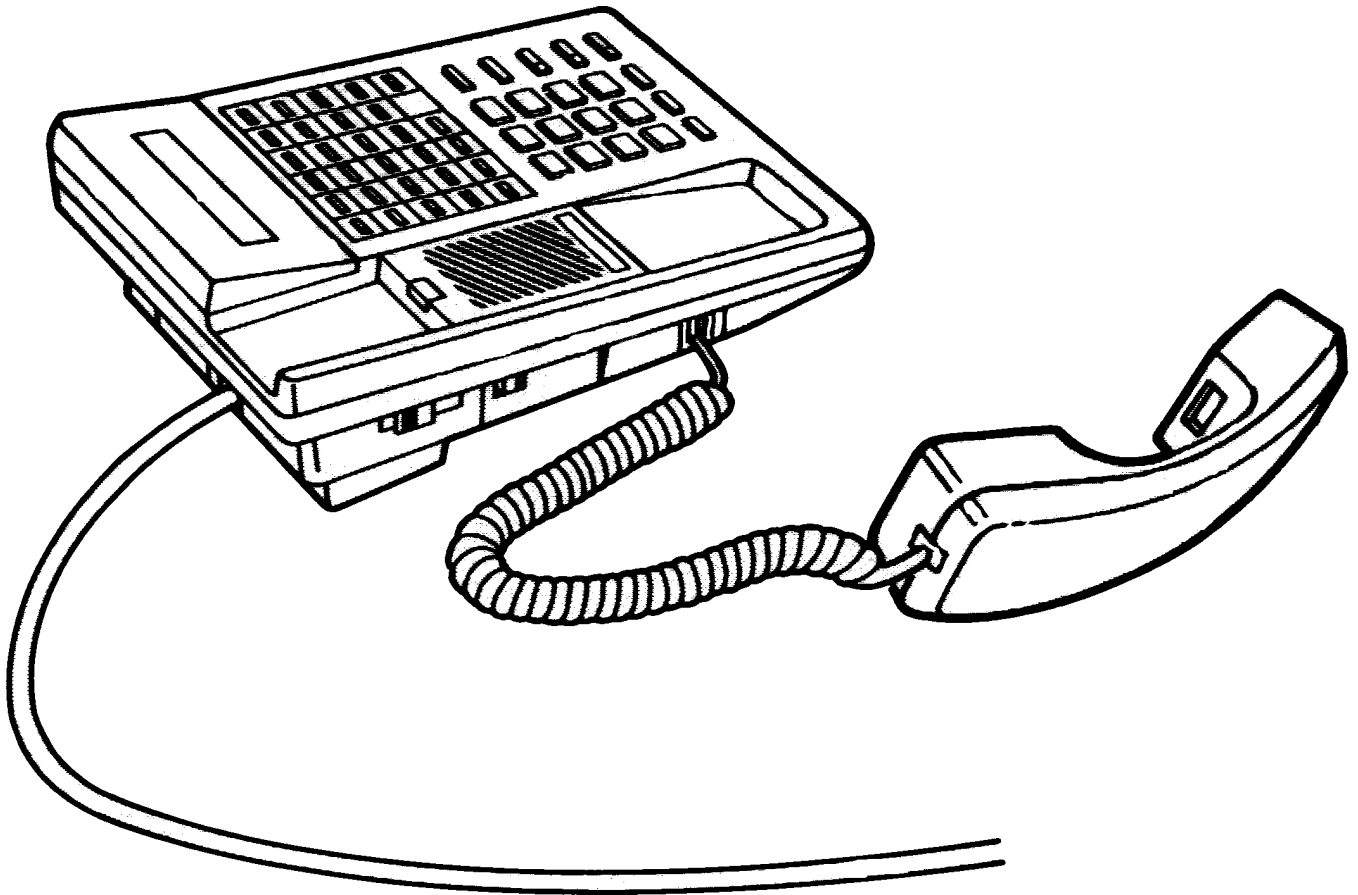
Contents

CONNECTION	5
INITIAL SETTINGS.....	6
LOCATION OF CONTROLS	7
FEATURE DESCRIPTIONS	8
• AUTOMATIC LINE ACCESS.....	8
• CALL FORWARDING (FWD)	8
▶ <i>FWD – All Calls.....</i>	<i>8</i>
▶ <i>FWD – Busy or No Answer.</i>	<i>8</i>
• CONFERENCE.....	8
• DIAL CALL PICK-UP	8
• DIRECTED CALL PICK-UP	8
• DO-NOT-DISTURB (DND)	8
• FLEXIBLE CO BUTTON.....	8
• FLEXIBLE MESSAGE BUTTON.....	8
• INDIVIDUAL LINE ACCESS	8
• LAST NUMBER REDIAL	8
• ONE-TOUCH DIALLING.....	8
• PAGING	8
• PAGING AND TRANSFER	8
• PAGING ANSWER.....	8
• SAVED NUMBER REDIAL (KX-T7130E ONLY).....	8
• SYSTEM SPEED DIALLING (SSD).....	8
OPERATING INSTRUCTIONS.....	9
• AUTOMATIC LINE ACCESS.....	9
• CALL TRANSFER TO EXTENSION.....	9
▶ <i>Screened.....</i>	<i>9</i>
▶ <i>Un-screened.</i>	<i>9</i>
• CONFERENCE.....	9
• FLEXIBLE CO BUTTON.....	9
▶ <i>To assign another CO number.</i>	<i>9</i>
▶ <i>To assign DSS function.....</i>	<i>9</i>
▶ <i>To assign One-Touch Dial.....</i>	<i>9</i>
• FLEXIBLE MESSAGE BUTTON.	9
▶ <i>To assign DSS function.....</i>	<i>9</i>
▶ <i>To assign One-Touch Dial function</i>	<i>9</i>
• HOLD	9
▶ <i>Retrieving an intercom call at the holding extension.....</i>	<i>9</i>
▶ <i>Retrieving an External / CO call at the holding extension.</i>	<i>9</i>
• INDIVIDUAL LINE ACCESS.	10
• INTERCOM CALLING.....	10
• LAST NUMBER REDIAL.....	10
• ONE-TOUCH DIALLING.....	10
▶ <i>Storing a phone number.....</i>	<i>10</i>
▶ <i>Dialling.....</i>	<i>10</i>
• SAVED NUMBER REDIAL. (KX-T7130E ONLY).....	10
▶ <i>Setting.....</i>	<i>10</i>
▶ <i>Dialling.....</i>	<i>10</i>
• SYSTEM SPEED DIALLING (SSD).....	10

KX-T30810BE & KX-T61610BE SPECIFIC	10
• CALL FORWARDING – ALL CALLS	10
▶ <i>Setting</i>	10
▶ <i>Cancelling</i>	10
• DIAL CALL PICK-UP	10
• DIRECTED CALL PICK-UP	10
• DO-NOT-DISTURB (DND)	10
▶ <i>Setting</i>	10
▶ <i>Cancelling</i>	10
• PAGING	11
▶ <i>All Extensions (internal Page)</i>	11
▶ <i>Group Page (Internal Page)</i>	11
▶ <i>Group Page (External Page)</i>	11
▶ <i>Paging and Transfer</i>	11
▶ <i>Paging Answer</i>	11
KX-T123210BE SPECIFIC	11
• CALL FORWARDING – ALL CALLS	11
▶ <i>Setting All Calls/Busy/ No Answer</i>	11
▶ <i>Cancelling</i>	11
• CALL PARK	11
▶ <i>To Park a Call</i>	11
▶ <i>To Retrieve Parked Call</i>	11
• DIAL CALL PICK-UP	11
• DIRECTED CALL PICK-UP	11
• DO-NOT-DISTURB (DND)	11
▶ <i>Setting</i>	11
▶ <i>Cancelling</i>	12
• PAGING	12
▶ <i>All Extensions (Internal Page)</i>	12
▶ <i>Group Page (Internal Page)</i>	12
▶ <i>External Paging</i>	12
▶ <i>All Extensions and External</i>	12
▶ <i>Paging and Transfer</i>	12
• PAGING ANSWER	12
▶ <i>Answer internal Page</i>	12
▶ <i>Answer External Page</i>	12
USING THE OVERLAY (KX-T7130E ONLY)	13
INSTALLING THE CARD HOLDER	14
WALL MOUNTING	15
OTHER INFORMATION	16
FEATURE INFORMATION	17

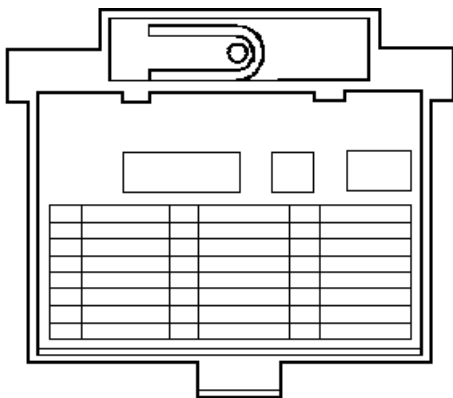
Connection

Connect as shown

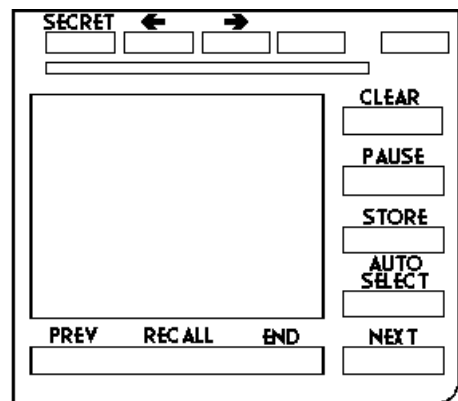


Included accessories

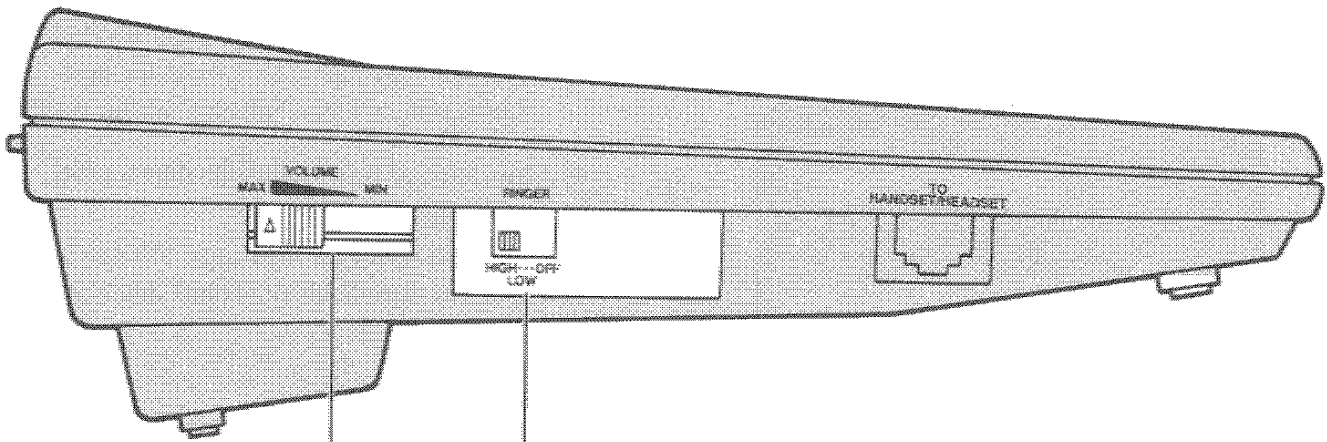
Card Holder with memory station card.....One



Overlay (KX-T7130E ONLY).....One



Initial Settings



Ringer Volume Selector:

HIGH: The ringing sound will be loud.

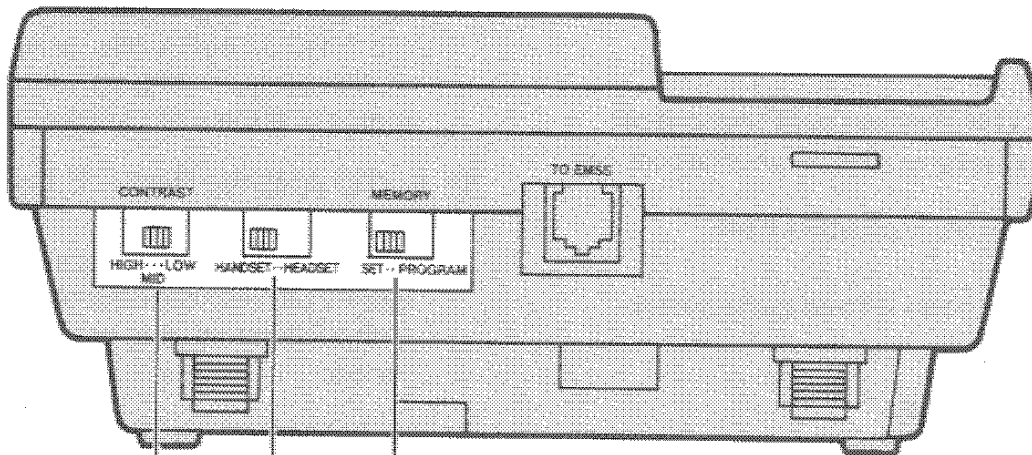
LOW: The ringing sound will be soft.

OFF: The telephone will not ring.

VOLUME Control:

MAX: The volume will be loud.

MIN: The volume will be soft.



MEMORY Switch:

Only set to 'PROGRAM' when programming phone.

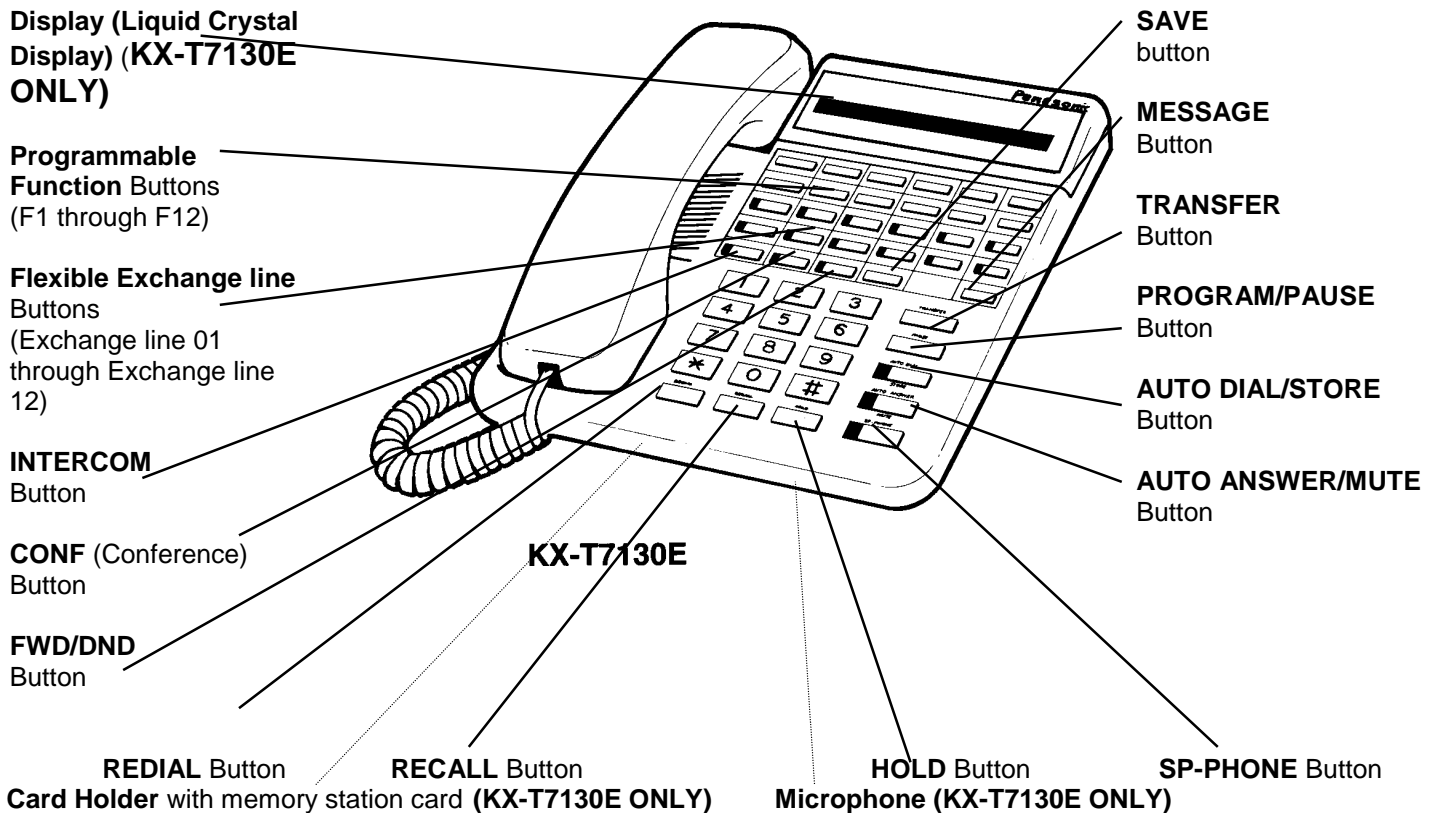
HANDSET/HEADSET Selector: (KX-T7130E ONLY)

Set depending on use – default HANDSET.

CONTRAST Selector: (KX-T7130E ONLY)

Set to LOW, MID or HIGH depending upon preference.

Location of Controls



Intercom Button and Indicator:

Used to make or receive an intercom call.

Conference Button and Indicator:

Used to create a three party conference.

REDIAL Button:

Used to redial the last dialled number.

RECALL Button:

Used to send a recall signal to a Central Office.

Programmable Function buttons:

Can be used as One-touch Dialling buttons or System feature buttons.

MESSAGE Button and indicator:

Can be used as Message Waiting, Direct Station Selection or One-Touch Dialling buttons.

SAVE Button: (KX-T7130E ONLY)

Used to store a number temporarily.

TRANSFER Button:

Used to transfer an outside or intercom call to another extension.

PAUSE Button:

Used to insert a Pause in a speed dial number.

AUTO DIAL/STORE Button:

Used before dialling a speed dial number. In 'PROGRAM' mode used to store a station programming procedure in the memory.

AUTO ANSWER/MUTE Button:

Used to answer an intercom call automatically. Mute used to hear the other party without them hearing you in Hands-Free mode.

SP-PHONE Button and Indicator:

Used to make or receive a phone call without using the Handset.

HOLD Button:

Used to place a call on Hold.

FWD/DND Button:

Used to set or cancel the Call Forwarding or Do Not Disturb feature.

The KX-T7xxxE Range are especially designed for the visually handicapped persons. The TRANSFER, SP-PHONE and 5 button, all have a raised pip to aid locating these buttons.

These Operating Instructions describe basic features and operations of the KX-T7xxxE Range of phones when used with the Panasonic Modular switching Systems: KX-T30810BE, KX-T61610BE and KX-T123210BE.

Feature Descriptions

- **Automatic Line access**
Allows you to select an unoccupied outside line automatically to make an outgoing call.
- **Call Forwarding (FWD)**
Calls to your phone can be automatically forwarded to another extension. Forwards of the following types are available.
 - ▶ **FWD – All Calls**
All Calls are Forwarded to another extension.
 - ▶ **FWD – Busy or No Answer.**
Calls are Forwarded to another extension when you are busy or do not answer the Call.
- **Conference**
Allows you to make as three inside party conference
- **Dial Call Pick-Up**
Allows you to answer a Call to any extension in your Pick-up group
- **Directed Call Pick-Up**
Allows you to answer a Call from any extension.
- **Do-Not-Disturb (DND)**
Your phone when set will not receive incoming Calls.
- **Flexible CO button**
Can be used as CO button with CO number different from the default or as DSS or One-Touch Dialling button
- **Flexible MESSAGE Button**
Can be used as Message Waiting, DSS or One-Touch Dialling button.
- **Individual Line Access**
Allows you to select an outside line directly to make an outgoing call.
- **Last Number Redial**
Redials the last number dialled.
- **One-Touch Dialling**
Allows you to dial a stored number by pressing a single button.
- **Paging**
There are four Paging type which are:
 - All Extensions
 - Group
 - External
 - All Extensions & External
- **Paging and Transfer**
Allows you to Transfer a Call to a Paged person.
- **Paging answer**
Allows you to answer a Page.
- **Saved Number Redial (KX-T7130E ONLY)**
Desired phone number on an outgoing Call can be stored and then redialled.
- **System Speed Dialling (SSD)**
Allows you to dial a stored phone number quickly.

Operating Instructions

Note:

Off-Hook	Lift Handset or press the SP-PHONE button.	
On-Hook	Replace the Handset or press the SP-PHONE button.	
Line access code:	9 or 81 ~ 83	KX-T30810BE
	9 or 81 ~ 86	KX-T61610BE
	9 or 81 ~ 88	KX-T123210BE

- **Automatic Line access.**
 - Off-hook
 - Dial **9 + number.**
- **Call Transfer to extension.**
 - ▶ **Screened.**
 - While having conversation.
 - Press **TRANSFER** button.
 - Dial **extension number** or press **DSS** button (if assigned).
 - Wait for answer and announce call.
 - On-hook.
 - ▶ **Un-screened.**
 - While having conversation.
 - Press **TRANSFER** button.
 - Dial **extension number** or press **DSS** button (if assigned).
 - On-hook.
- **Conference.**
 - When talking with another party,
 - Press **CONF** button. (First party is held)
 - Dial the **next party's number.**
 - Talk to next party.
 - Press **CONF** button. (CONF established).
- **Flexible CO button.**
 - Before programming, telephone must be On-hook and **MEMORY** switch set to '**PROGRAM**'.
 - ▶ **To assign another CO number.**
 - Press **CO** button.
 - Dial **0.**
 - Dial new **CO number.**
 - 1 ~ 3** KX-T30810BE.
 - 1 ~ 6** KX-T61610BE.
 - 1 ~ 12** KX-T123210BE.
 - Press **STORE** button.
 - ▶ **To assign DSS function.**
 - Press **CO** button.
 - Dial **1 + Extension number.**
 - Press **STORE** button.
 - ▶ **To assign One-Touch Dial.**
 - Press **CO** button.
 - Dial **2 + Line access code + number.**
 - Press **STORE** button.
 - After programming, return **MEMORY** switch to '**SET**'.
- **Flexible MESSAGE button.**
 - Before programming, telephone must be On-hook and **MEMORY** switch set to '**PROGRAM**'.
 - ▶ **To assign DSS function**
 - Press **MESSAGE** button.
 - Dial **1 + Extension number.**
 - Press **STORE** button.
 - ▶ **To assign One-Touch Dial function**
 - Press **MESSAGE** button.
 - Dial **2 + Line access code + number.**
 - Press **STORE** button.
 - After programming, return **MEMORY** switch to '**SET**'.
- **HOLD**
 - Press the **HOLD** button.
 - ▶ **Retrieving an intercom call at the holding extension.**
 - Press **INTERCOM** button.
 - ▶ **Retrieving an External / CO call at the holding extension.**
 - Press Green flashing **CO** button.

Operating Instructions (continued)

- **Individual Line Access.**
Off-hook.
Press **CO** button.
Dial **number**.
- **Intercom Calling.**
Off-Hook.
Dial **extension number** or press **DSS** button
(if assigned).
- **Last Number Redial.**
Off-Hook.
Press **REDIAL** button.
- **One-Touch Dialling.**
 - ▶ **Storing a phone number.**
Before programming, telephone must be On-hook and **MEMORY** switch set to **'PROGRAM'**.
Press a **programmable feature** button.
Dial **line access code + phone number**.
Press **STORE** button.
After programming, return **MEMORY** switch to **'SET'**.
- ▶ **Dialling.**
Off-hook.
Press a **programmable feature** button.
- **Saved number Redial. (KX-T7130E ONLY).**
 - ▶ **Setting.**
While having a conversation on CO line.
Press **AUTO DIAL** button.
Press **SAVE** Button.
 - ▶ **Dialling.**
Off-hook.
Press **SAVE** button.
- **System Speed Dialling (SSD).**
Off-Hook.
Press **AUTO DIAL** button.
Dial a **SSD** number.

KX-T30810BE & KX-T61610BE Specific

- **Call Forwarding – All Calls.**
 - ▶ **Setting.**
Off-Hook.
Press **FWD/DND** button.
Dial **Extension number**.
On-Hook.
 - ▶ **Cancelling.**
Off-Hook.
Press **FWD/DND** button.
Dial **0**.
On-Hook.
- **Dial Call Pick-Up.**
Off-Hook.
Dial **50**.
Hear confirmation Tone.
Talk.
- **Directed Call Pick-Up.**
Off-Hook.
Dial **5 + Extension number**.
Hear confirmation Tone.
Talk.
- **Do-Not-Disturb (DND).**
 - ▶ **Setting.**
Off-Hook.
Press **FWD/DND** button.
Dial **20**.
On-Hook.
 - ▶ **Cancelling.**
Off-Hook.
Press **FWD/DND** button.
Dial **0**.
On-Hook.

KX-T30810BE & KX-T61610BE Specific (continued)

- **Paging.**
 - ▶ **All Extensions (internal Page).**
Off-Hook.
Dial **44**.
Hear confirmation Tone.
Page.
 - ▶ **Group Page (Internal Page).**
Off-Hook.
Dial **45** Group 1.
Dial **46** Group 2.
Dial **47** Group 3. (KX-T61610BE only)
Dial **48** Group 4. (KX-T61610BE only)
Hear confirmation Tone.
Page.
 - ▶ **Group Page (External Page).**
Off-Hook.
Dial **43**.
Hear confirmation Tone.
Page.
- ▶ **Paging and Transfer.**
While having a conversation,
Press **TRANSFER** button.
Dial **Paging access number**.
44 – Page All Extensions
43 – Page External.
45 – Group 1.
46 – Group 2.
47 – Group 3. (KX-T61610BE only)
48 – Group 4. (KX-T61610BE only)
Hear confirmation Tone.
Page.
Wait for answer.
On-Hook
- ▶ **Paging Answer.**
Off-Hook.
Dial **51**.
Hear confirmation Tone.
Talk.

KX-T123210BE Specific

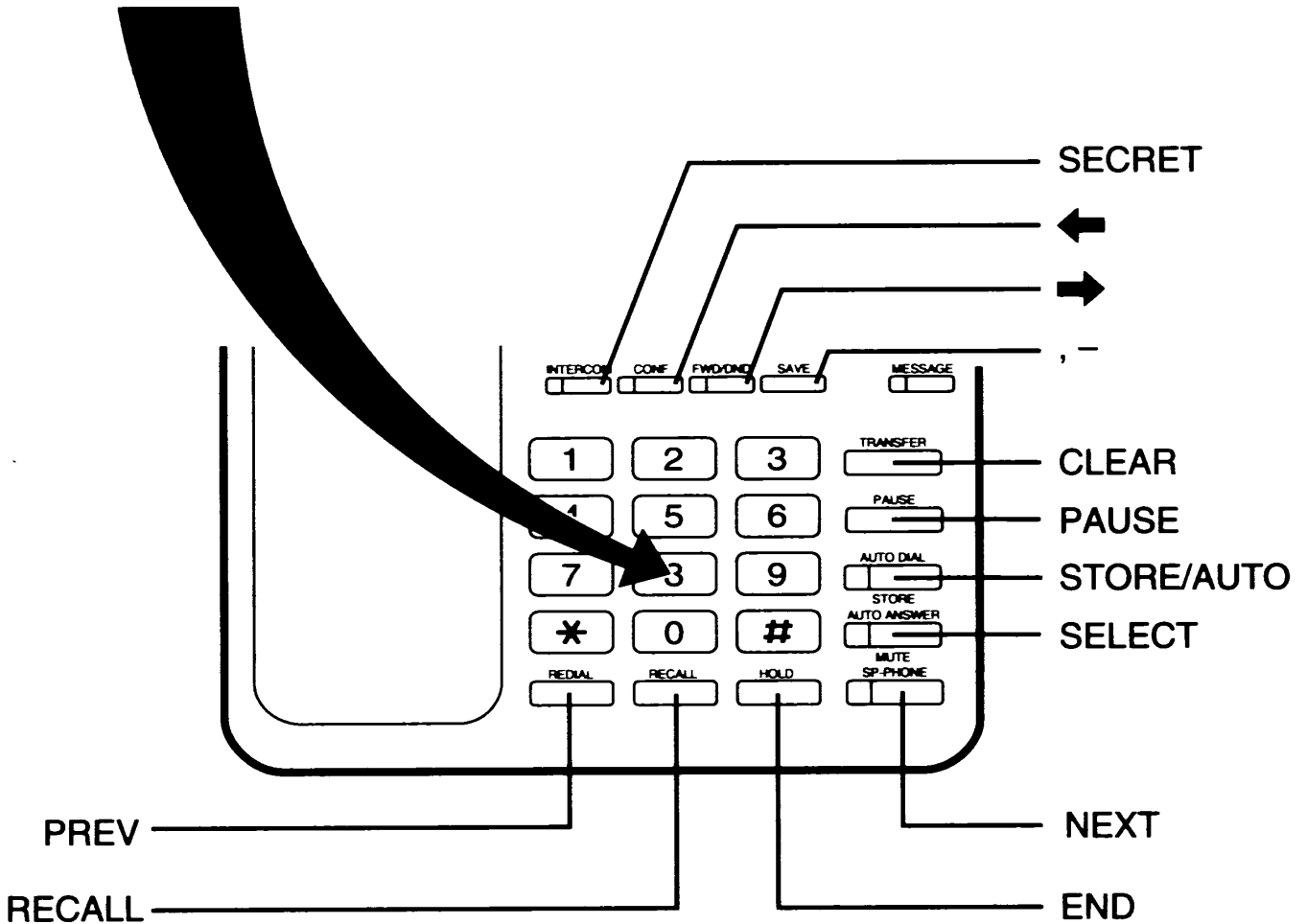
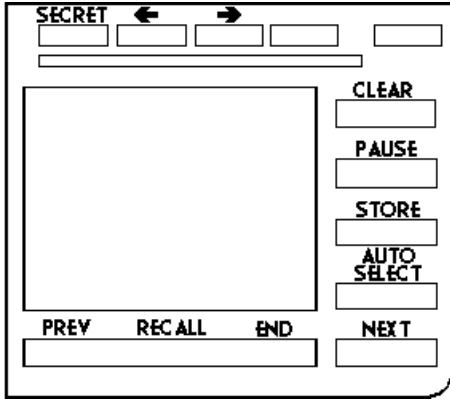
- **Call Forwarding – All Calls.**
 - ▶ **Setting All Calls/Busy/ No Answer**
Off-Hook.
Press **FWD/DND** button.
Dial **feature access code**.
1 All Calls
2 Busy or No Answer.
Dial **Extension number + #**.
On-Hook.
 - ▶ **Cancelling.**
Off-Hook.
Press **FWD/DND** button.
Dial **0 + #**.
On-Hook.
- **Call Park**
 - ▶ **To Park a Call.**
While having a conversation,
Press **HOLD** button.
Dial **50 + Parking zone number (0 ~ 9)**.
On-Hook.
- ▶ **To Retrieve Parked Call.**
Off-Hook.
Dial **51 + Parking zone number**.
Hear confirmation tone.
Talk.
- **Dial Call Pick-Up.**
Off-Hook.
Dial **40**.
Hear confirmation Tone.
Talk.
- **Directed Call Pick-Up.**
Off-Hook.
Dial **4 + extension number**.
Hear confirmation Tone.
Talk.
- **Do-Not-Disturb (DND).**
 - ▶ **Setting.**
Off-Hook.
Press **FWD/DND** button.
Dial **4 + #**.
On-Hook.

KX-T123210BE Specific (continued)

- ▶ **Cancelling.**
Off-Hook.
Press **FWD/DND** button.
Dial **0 + #**
On-Hook.
- **Paging.**
 - ▶ **All Extensions (Internal Page).**
Off-Hook.
Dial **330**.
Hear confirmation Tone.
Page.
 - ▶ **Group Page (Internal Page).**
Off-Hook.
Dial **33 + Extension Group number.** (1 ~ 8).
Hear confirmation Tone.
Page.
 - ▶ **External Paging.**
Off-Hook.
Dial **32**.
Dial Pager access number (0 ~ 2).
0 Pager 1 & 2.
1 Pager 1.
2 Pager 2.
Hear confirmation Tone.
Page.
 - ▶ **All Extensions and External.**
Off-Hook.
Dial **32*** or **33***.
Hear confirmation Tone.
- ▶ **Paging and Transfer.**
While having a conversation,
Press **TRANSFER** button.
Dial Paging access number.
330 Page All Extensions
331 ~ 338 Groups 1 ~ 8.
320 ~ 322 External Pager 1or 2.
32* or **33*** All Extensions and External.
Hear confirmation Tone.
Page.
Wait for answer.
On-Hook
- **Paging Answer.**
 - ▶ **Answer internal Page.**
Off-Hook.
Dial **43**.
Hear confirmation Tone.
Talk.
 - ▶ **Answer External Page.**
Off-Hook.
Dial **41**.
Dial **Pager Access number.**
1 Pager 1.
2 Pager 2.
Hear confirmation Tone.
Talk.

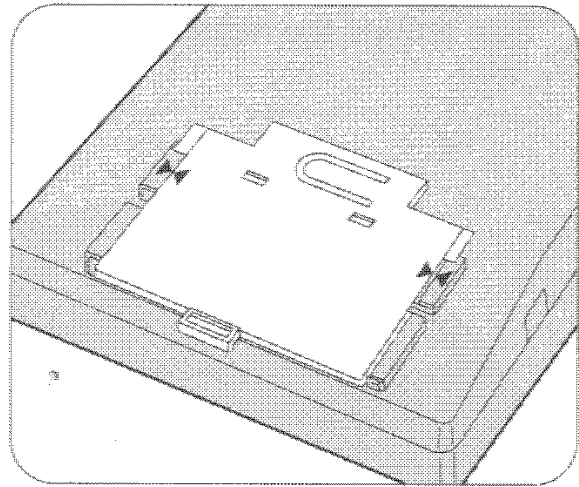
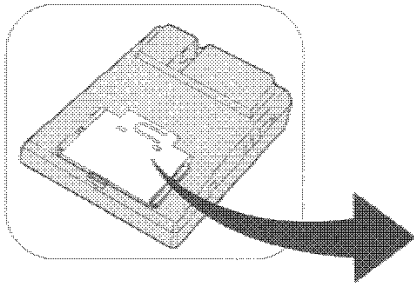
Using the Overlay (KX-T7130E ONLY)

When the System Program Switch on the EMSS Control Unit is set to the system programming position, the functions of your KX-T7130E connected to your EMSS Control Unit will change as shown.

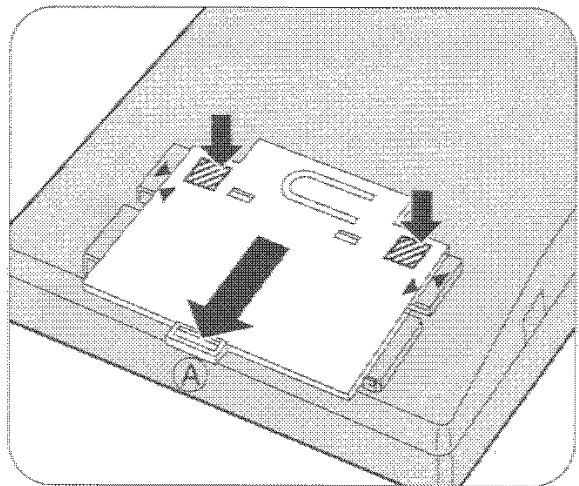


Installing the Card Holder

- 1** Match the marks (▶) on the card holder and on the slide rails on the unit.

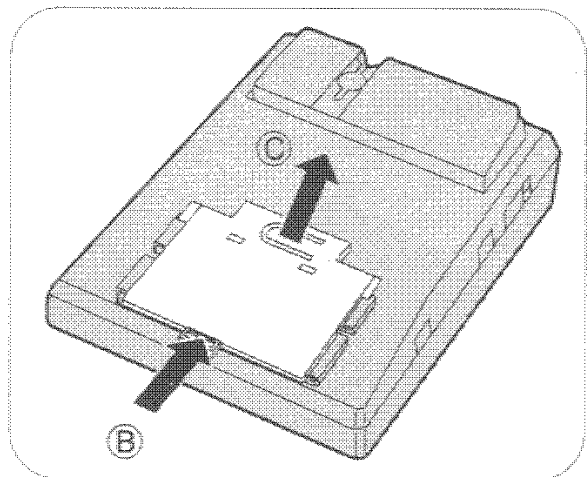


- 2** Push two shaded portions slightly and insert the edges of the holder under the slide rails and then slide down in direction of arrow "A."



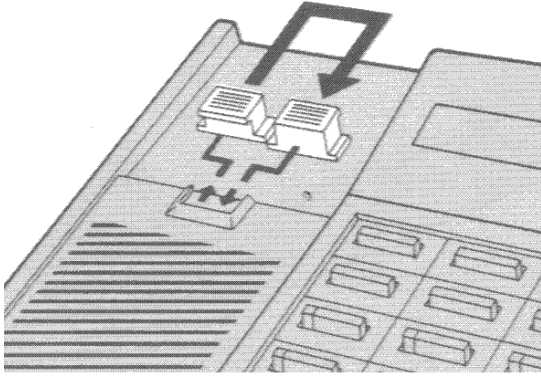
Removing the card holder

Push the card holder in the direction of arrow "B" while keeping the tip of the holder pulled in the direction of arrow "C," to take off the holder.

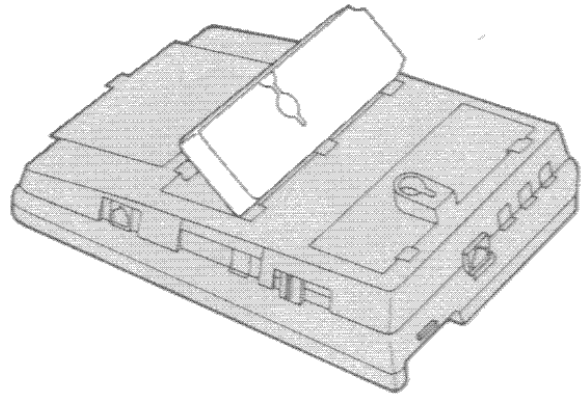


Wall Mounting

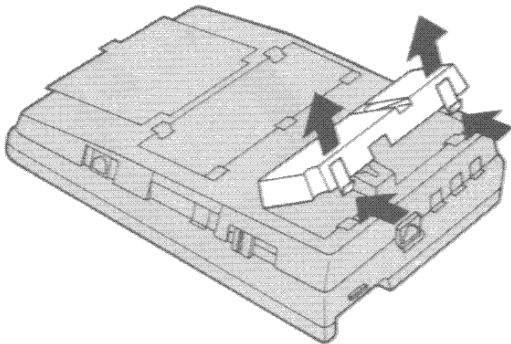
1. Turn around the Handset hook.



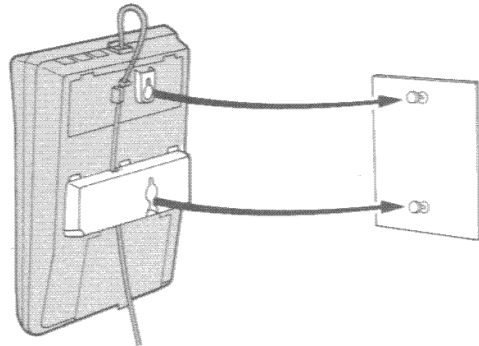
4. Fit the stand.



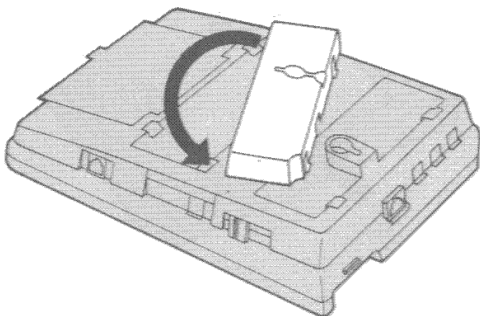
2. Remove the attached stand.



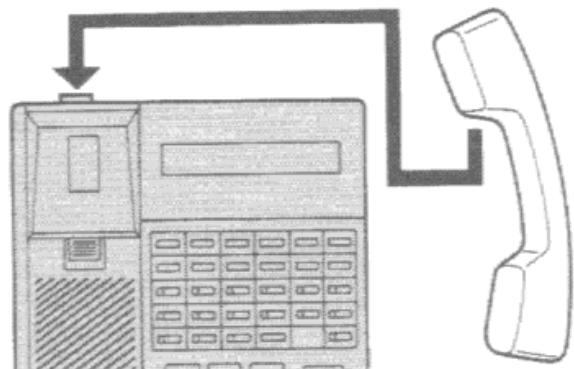
5. Mount the unit on the Wall phone plate.



3. Rotate the stand in the direction of the arrow.



To temporarily place the Handset down during conversation, hook as shown.



Other Information

- If there is any trouble, disconnect the unit from the extension line and connect a known working phone. If the known working phone operates correctly, do not reconnect the faulty unit until it has been repaired. If the known working telephone does not operate correctly, check the Electronic Modular Switching System.
- Keep the unit away from heating appliances and electrical noise generating devices such as fluorescent lamps and motors.
- The unit should be free of dust, moisture and vibration, and should not be exposed to direct sunlight.
- Do not use abrasive powder, Benzene, thinner or similar products to clean the unit exterior. Simply wipe clean with a soft cloth.
- This unit is capable of being used in conjunction with hearing aids fitted with inductive coil pick-ups.
- The Handset should be held as for normal conversation. For operation the hearing aid should be set to it's "T" position or as directed in the operating instructions for the hearing aid.



- The KX-T7130E is designed to aid the visually handicapped to locate dial keys and buttons.

Warning:

TO PREVENT A FIRE OR SHOCK HAZARD, DO NOT EXPOSE THIS PRODUCT TO RAIN OR ANY TYPE OF MOISTURE.

- Do not replace the Handset with any other type unless approved by Panasonic.


Feature Information

Not all features documented in this manual are supported by all systems in all versions. The table below will help to clarify the situation.

The nameplates of upgraded units for each system are shown below. The arrows point to the part of the label that indicates an upgraded version.

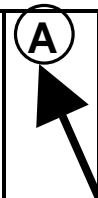
KX-T30181BE

Panasonic EASA-PHONE
MODEL NO. KX-T30810BE ②
 TELEPHONE EQUIPMENT




KX-T61610BE

Panasonic EASA-PHONE
MODEL NO. KX-T61610BE
 TELEPHONE EQUIPMENT



KX-T123210BE

Panasonic EASA-PHONE
MODEL NO. KX-T123210BE
 TELEPHONE EQUIPMENT



FEATURES	VERSION	KX-T30810BE		KX-T61610BE		KX-T123210BE	
		UPGRADED	ORIGINAL	UPGRADED	ORIGINAL	UPGRADED	
Call Forwarding (Busy/No Answer)					✓	✓	
One-Touch Button Mode Selection					✓	✓	
Flexible CO Button		✓		✓	✓	✓	
Flexible MESSAGE Button		✓		✓		✓	
Paging (All Extensions & External)					✓	✓	

A ✓ indicates that the feature is available on this version.

The other features listed in this manual are available on all systems and all versions.

Produced by Malcolm Puryer
Panasonic Business Systems U.K.
 Panasonic House, Willoughby Road, Bracknell,
 Berkshire RG12 4FP
 Printed in UK