

Installation and Programming Manual

Key Telephone System

VA-309UK

Panasonic

VA-309UK

Important Note

- [1] This equipment should be used on British Telecom lines requiring loop-disconnect or DTMF signalling only. The equipment must be connected to direct extension lines, and should not be connected as an extension to a payphone. The Ringer Equivalence Number (R.E.N) is 3.
- 1 The apparatus is connected, for 2-wire connected devices, between terminals A and B or, for 3-wire connected devices, between terminals A, B and shunt in the test circuit shown in figure 17. The BT Bell 59D in figure 17 is one which generates a sound pressure of not less than 65 dB (A weighted) SPL when measured as a distance of 1 m when connected in the test circuit of figure 17 with three other 59D bells connected across the shunt and A terminals, and acoustically isolated, and which forms the ring detector of a BT telephone No. 8746. Where either the BT Bell No. 59D or the apparatus ringing detector fails to function as specified in the relevant product standard, no REN is assigned to the apparatus. (See note 1 of 4.2)
Where the BT Bell No. 59D and apparatus ringing detector function correctly as specified in the relevant product standard, the procedure for determination of REN is continued as described in D.1.2 or 1.3 as appropriate.
- 2 For apparatus other than that described in D.1.3, and where in the configuration described in D.1.1 the BT Bell No. 59D and apparatus ringing detector function correctly as specified in the relevant product standard, additional complete items of apparatus similar to the original apparatus are then connected in parallel with the original apparatus. The number of added items of apparatus is increased until:
or : 10 items of apparatus are connected:
Whichever is the first to occur.
The REN value of the apparatus is calculated from the expression:
 $REN = 3/n$, where n is
either : The maximum number of items of apparatus connected for which all ringing detectors including the BT Bell No. 59D function correctly as specified in the relevant product standard;
or : The value stated by the supplier to be the maximum number of items of apparatus that should be connected simultaneously to the line;
or : 10;
Whichever is the smallest number.*
*For further information, Refer BS6305 : 1982
- [2] The apparatus will interwork with the PSTN up to an internal resistance between telephone instrument and Main Exchange unit of 40 ohms maximum, and between DSS and Main Exchange unit of 20 ohms maximum.
- [3] Operation in power failure
Exchange line communication in power failure is available through the primary telephone sets connected for the usage in power failure. When power failure occurs, 20% of the connected exchange line are automatically switched over to the designated primary telephone sets.

CONTENTS

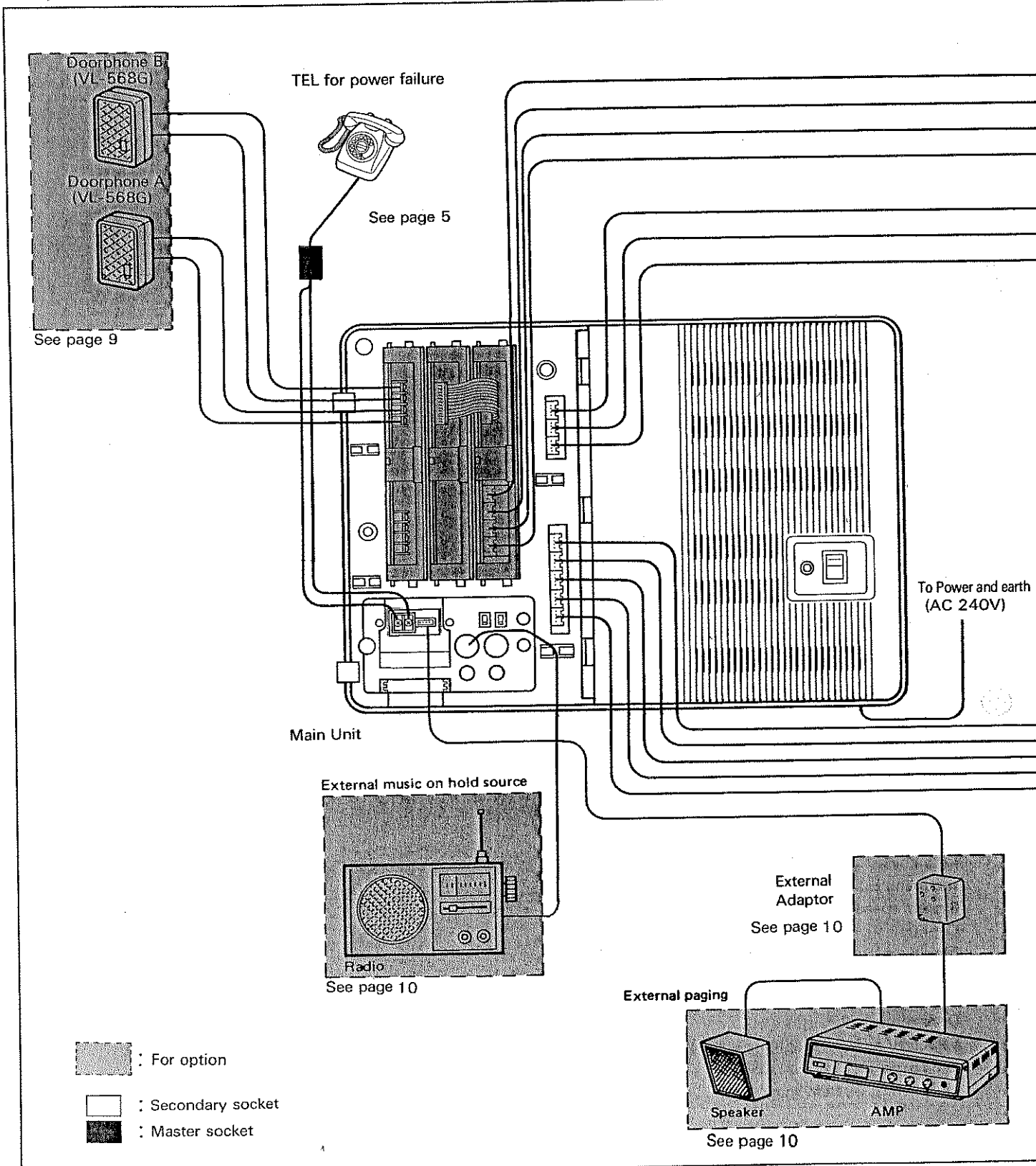
INSTALLATION

1. SYSTEM CONNECTION LAYOUT	1
2. INSTALLATION OF MAIN UNIT	3
How to install the main unit	3
3. WIRING CONNECTIONS	5
Connection between the main unit, Key TEL, Exchange/PBX Extension Lines and TEL for power failure	5
4. CONNECTION OF OPTIONAL UNIT	7
Extension of key telephone	7
Connections of single line telephone or 2 Key TELs/2 SLTs	8
Connections of doorphone or Conference function	9
External music on hold source and external paging system	10
Wall mounting the key station and fitting a telephone directory	11
Set up for main unit	12
5. ADJUSTMENT	13
6. OPERATION	17
7. SPECIFICATIONS OF SYSTEM	17
Modules and system configuration	17
System capacity, specifications and check list of parts	18

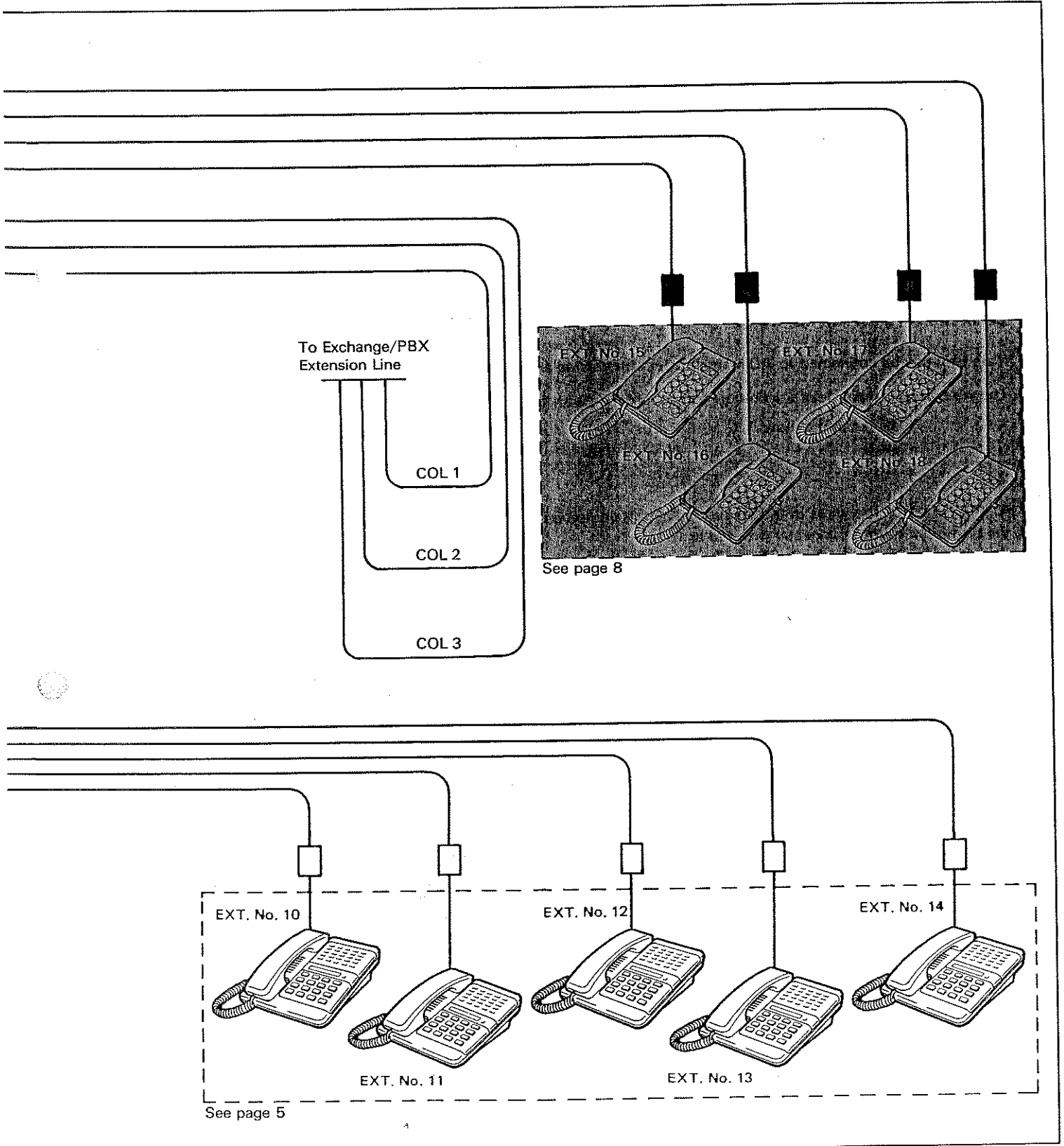
PROGRAMMING	20		
1. INITIAL SET LIST	21	APPENDIX: Names and phone numbers list	74
2. PROGRAMMING DESIGN TABLE	23	Programming table for initial set	75
3. METHOD OF PROGRAMMING	25	Tones and lamp indications	102
4. PROGRAMMING	28	Priority for simultaneous calling and	
System setting	28	receiving	103
Ring priority for outside and Intercom call	28		
Type of Intercom Ringing	29		
System Speed Dial group A	30		
System Speed Dial group B	31		
Flash time	32		
Dial generation guard time	33		
Long Speech Alarm	34		
Exchange Line Auto Answering	35		
Incoming Ring of night mode	36		
Hold Recall	37		
Connection of Doorphone	38		
Transfer mode	39		
Automatic Pause (Redial key)	40		
Automatic Pause for PBX	41		
Automatic Pause	42		
PBX outside dialling digit	43		
Incoming call restriction	44		
Digit length restriction	45		
* and # restriction	46		
2 digits restriction	47		
4 digits restriction override	48		
Display time system setting	49		
Date setting	50		
Exchange Line setting	51		
Tone/pulse dialling signal conversion	51		
Exchange line or PBX line	52		
Automatic outside line selection group	53		
Sending time of DTMF signals	54		
Detection time of Ringing Signal	55		
Recall signal type	56		
Earth recall time	57		
Call duration display	58		
Extension setting	59		
Telephone type	59		
Line key assign	60		
Incoming call ring	62		
System speed dial group	64		
Off-hook signalling	65		
Flexible night service setting	66		
Flexible night service	67		
Zone paging	68		
Doorphone call	69		
Secretary or boss telephone setting	70		
Call barring (class of service)	71		
Call barring (system speed dial)	73		

1. SYSTEM CONNECTION LAYOUT

Full system configuration layout



1.SYSTEM CONNECTION LAYOUT



NOTE:COL: Central Office Line = Exchange Line

2.INSTALLATION OF MAIN UNIT

How to install the main unit

Install the main unit on the wall and connection of main lead according to the following procedure.

- **Mounting the main unit on the wall**

- ① Remove screw from left center of main unit.
- ② Unhook two hooks that hold main unit cover on main unit. Remove main unit cover.
- ③ Place template against wall and install the four screws. Use the screw installation jig provided inside the main unit when installing the screws.
- ④ Install the main unit by hooking the four installation holes at the bottom of the main unit to the four screws, then tighten the two left side screws completely.

- **Connection of main unit mains lead**

Main unit can be connected to AC mains outlet either using a fused spur or 13A plug.

The wires in this mains lead are coloured in accordance with the following code:

Green-and-yellow	Earth	(E)
Blue	Neutral	(N)
Brown	Live	(L)

As the colors of the wires in the mains lead of this equipment may not correspond with the coloured markings identifying the terminals in your connector proceed as follows.

- ① Be sure to turn off the power switch before connecting the mains lead.
- ② The wire which is coloured green-and-yellow must be connected to the terminal which is marked by the letter E or by the safety earth symbol $\frac{\perp}{\text{—}}$ or coloured green or green-and-yellow.
- ③ The wire which is coloured blue must be connected to the terminal which is marked with the letter N or coloured black.
- ④ The wire which is coloured brown must be connected to the terminal which is marked with the letter L or coloured red.

Note: This equipment must be earthed when the system is connected.

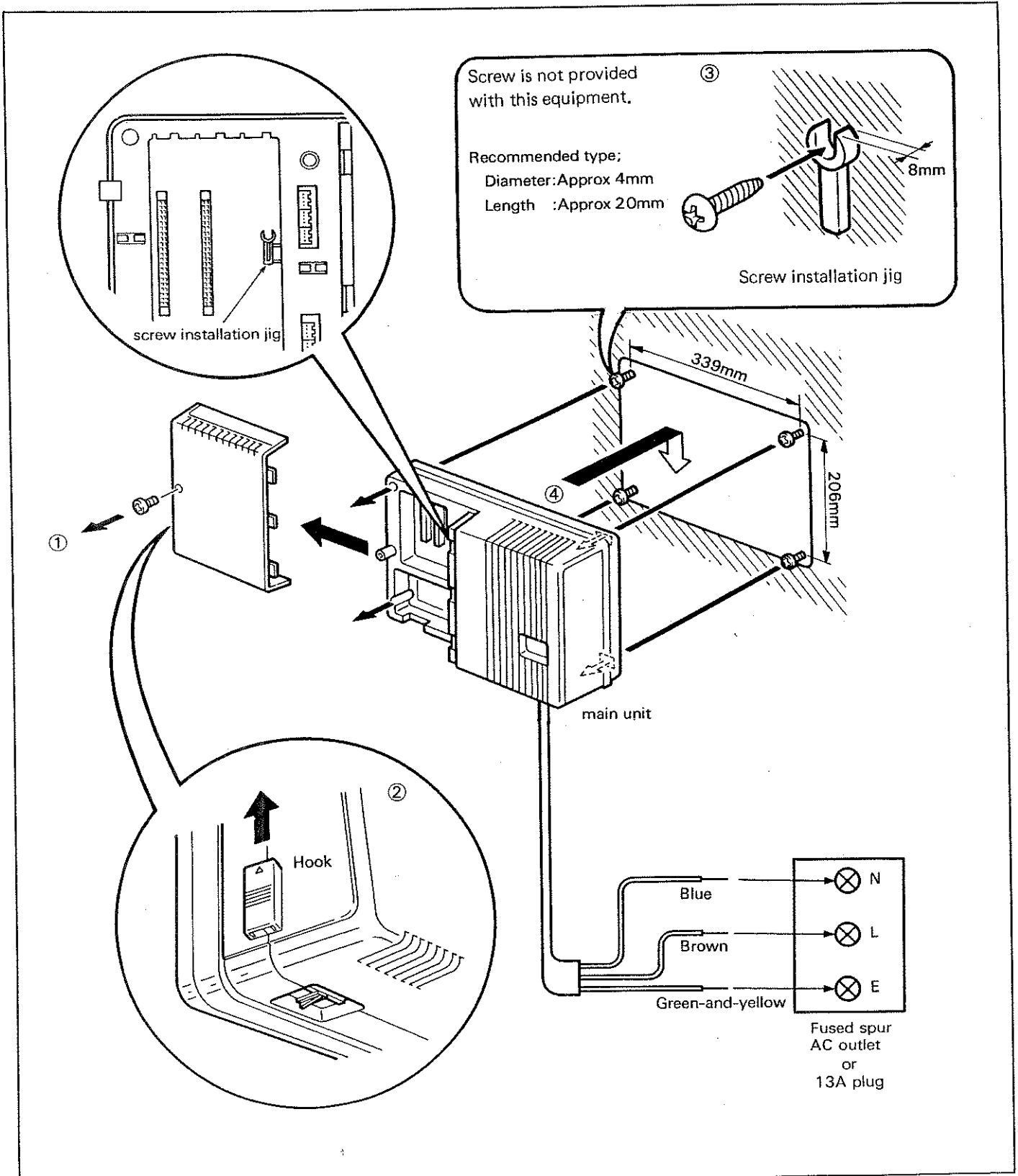
NOTE

“Be sure the power switch is OFF, before installation.”

Avoid installing in the following places. (Doing so may result in malfunction, noise, or discoloration.)

- a) In direct sunlight, hot, cold, or humid places. (Temperature range: 0°C – 40°C)
- b) Sulfuric gases produced in areas where there are thermal springs, etc. may damage the equipment or contacts.
- c) Places in which shocks or vibrations are frequent or strong.
- d) Dusty places, or places where water or oil may come into contact with the unit.
- e) Near high-frequency sewing machines or electric welders.
- f) On or near computers, telexes, or other office equipment, as well as microwave ovens or air conditioners. (It is preferable not to install in the same room with the above equipment.)
- g) Near radio broadcast antennas. (including short wave)
- h) Install at least 2 m from radios and televisions. (both the main unit and key telephones)
- i) Do not obstruct area around the main unit (for reasons of maintenance and inspection — be especially careful to allow space for cooling above and at the sides of the main unit).

2.INSTALLATION OF MAIN UNIT



3. WIRING CONNECTIONS

Connection between the main unit, key TEL, Exchange/PBX Extension Lines and TEL for power failure

Make connections between the main unit, Key TEL, Exchange/PBX Extension lines and TEL for power failure according to the following procedure.

• Connection between the main unit and Exchange/PBX Extension lines

- ① Insert the wires ($\phi 0.4$ mm or $\phi 0.5$ mm) into the No. 2 pin ("A" wire) and No. 3 ("B" wire) of the attached transparent connector. If the main unit is being received through PBX and the recall signal for PBX is the earth recall type (see page 57), insert the designated wire in the No. 1 ("E" wire) pin also.
- ② Combine the transparent connector with the wires inserted and the attached black connector, and prepare the Exchange/PBX Extension line cord. This cord corresponds to Exchange/PBX Extension lines E (Earth recall), A, and B in order from the wire of No. 1 pin.
- ③ Using the Exchange/PBX Extension line cord you have prepared, connect up each of Exchange line No. 1 to 3 of the universal connector inside the main unit to the Exchange/PBX Extension line.

• Connection between the main unit and KEY TEL

- ① Insert the wires ($\phi 0.4$ mm or $\phi 0.5$ mm) into each of the pins from No. 1 to No. 4 of the attached transparent connector.
- ② Combine the transparent connector with the wires inserted and the attached black connector, and prepare the telephone line cord. This cord corresponds to key telephone lines L, A, B and H in order from the wire of No. 1 pin.
- ③ Using the telephone line cord, connect up each of EXT. No. 10 to 14 of the universal connector inside the main unit to the coulomb box and secondary socket. When wiring, make sure that the positioning of the connector pin on the main unit side and that of the connector pin on the key telephone side are different.
- ④ Using the attached cord, connect up the secondary socket to each of the key telephones.

• Connection between the main unit and TEL for power failure

- ① Using the telephone line cord, connect up each of the screw terminal inside the main unit to the master socket.
- ② Use cable to connect up the master socket to each of the single line telephone.
- ③ One telephones can be connected in this way, but they can only be used if the power fails.

• Clamping of cords

- ① Push in the cables from the top of the cable guide.
- ② Remove the clamp plate, insert the cord, then reinstall the clamp plate over the cords and secure into place with the screw.

• Identification of socket labelling

Supplied with the main unit are labels to correctly identify each terminal socket (BT approved LJU). These should be fixed at the time of installation to ensure customer can easily locate Panasonic socket and not confuse with British Telecom lines.

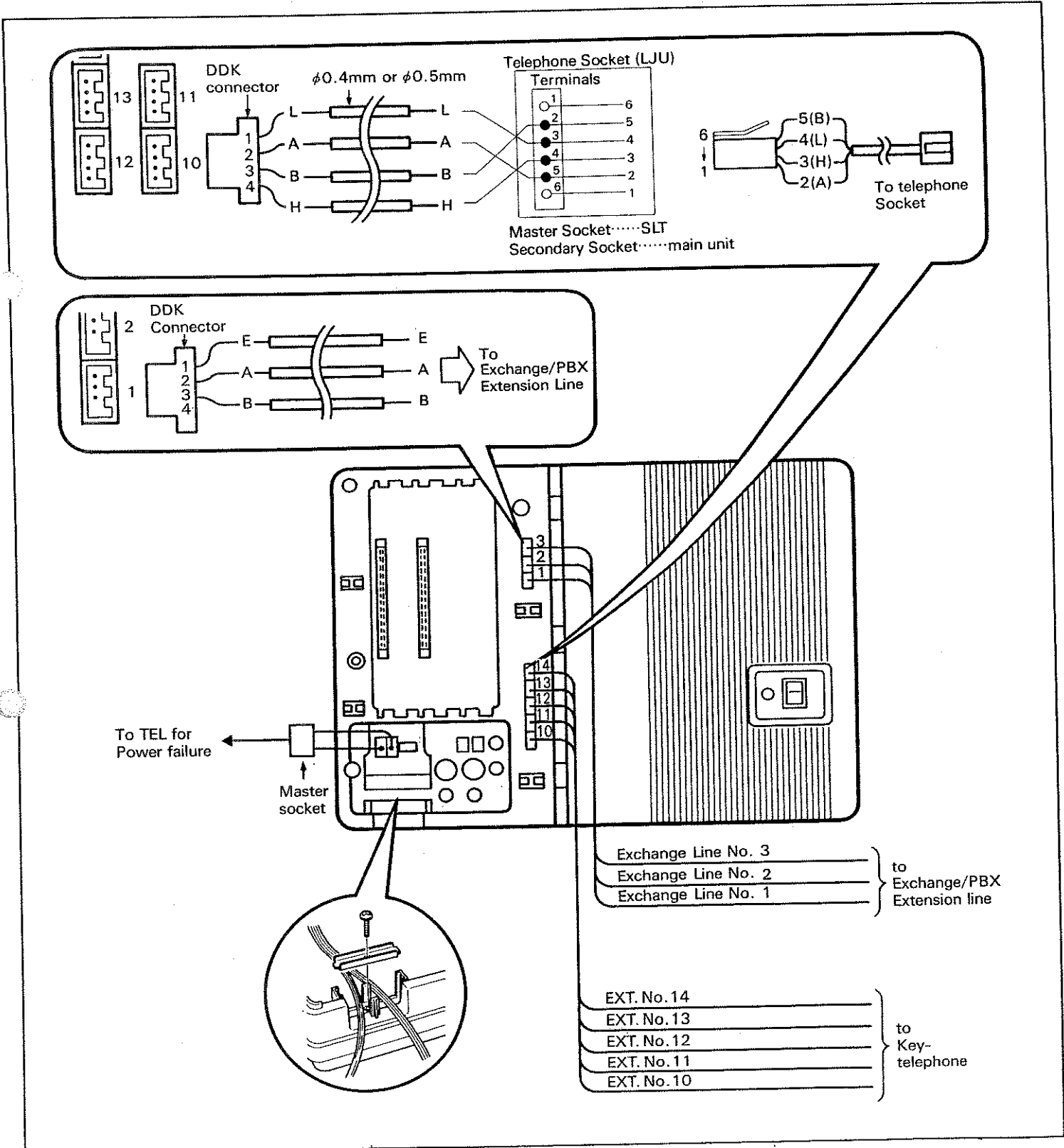
NOTE

Keep the loop wire resistance to the key telephone furthest from the main unit less than 40 ohms. (MAX. 335 m with 22 AWG cable ($\phi 0.5$ mm))

Do not wire the telephone cable in parallel with the AC power source, computer, telex etc. If the cables run near those wires, shielded the cables within metal tubing or use shielded cable and ground the shields.

When cables run on the floor, use protectors or the like to protect the wires where they may be stepped on. Avoid wiring under carpets.

When using an AC power supply (AC 240V), make sure the unit is earthed.



4. CONNECTION OF OPTIONAL UNIT

If you are not using key telephones other than those initially mounted, doorphones, you can disregard this section.

Extension of key telephone

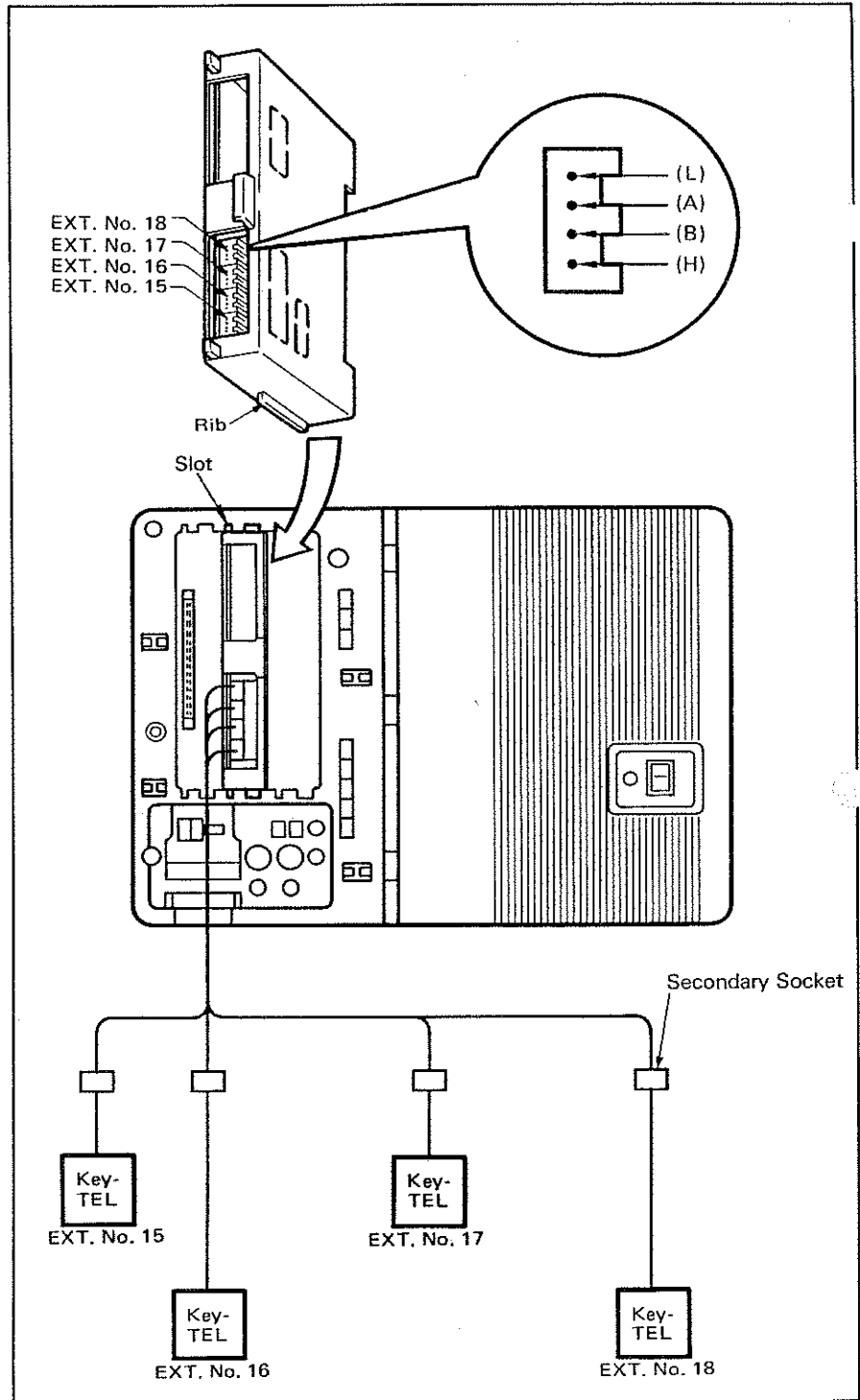
Be sure the power switch is off, before installing or removing the cards.

Make connections of an Extension card A and to respective key telephones according to the following procedure. When inserting the Extension card A, make sure that the card top and bottom ribs are aligned with the respective slots located at the regular positions inside the main unit.

- **Connection of Extension card A (VA-30940UK)**
Insert the Extension card A into the main unit. This one Extension card A is capable of making 4 key telephones usable.
- **Connection of key telephones**
Connect each of key telephones to the respective connector on the Extension card A. These connector are allotted, in order from the top, extensions No. 18 through No. 15.

NOTE

- When doing the wiring between the card and key telephone, make sure that the connector pins on the card side and key telephone side are arranged at different points.



Connections of single line telephone or 2key TELs/2SLTs

Make connections according to the following single line telephone connecting method and the 2 key TEL/2 SLT connecting method. When inserting a card, make sure that the card top and bottom ribs are aligned with the respective slots located at the regular positions inside the main unit. Programming is required for connecting a single line telephone (See page 59).

- (1) Connection of Extension card B (VA-30941UK & VA-30941UK(R))
Insert the Extension card B into the main unit, and insert the other piece into its slots to the right of the first card. One card is capable of making 4 single line telephones usable.

- (2) Connection of single line telephone
Connect each of single line telephones to the respective connectors located on the right side card. The connectors are allotted, in order from the top, extensions No. 18 through No. 15 respectively.

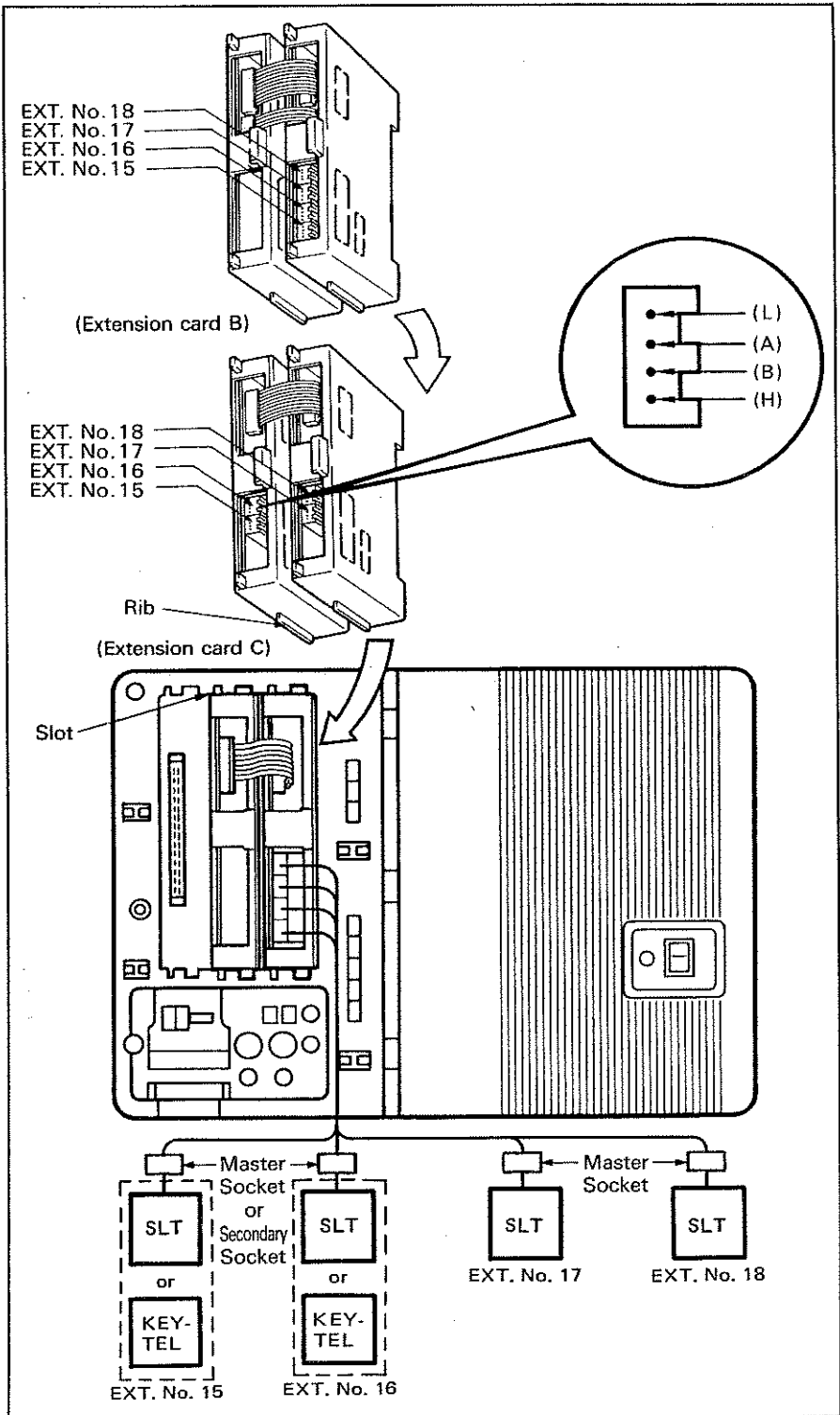
• 2 Key TEL/2 SLT

- (1) Connection of Extension card C (VA-30942UK & VA-30942UK(R))
Insert the Extension card C into the main unit (for key TEL) and insert the other piece (for SLT) into its slots. One card is capable of making 2 key telephones and 2 single line telephones usable.

- (2) Connection of key TEL/SLT
Connect each of key telephones to the respective connector located on the key TEL card. Then, connect each of single line telephones to the respective connector located on the Extension card B. The connector on the key TEL card are allotted, in order from the top, extensions No. 16 and No. 15, while those on the SLT card are allotted, in order from the top, extensions No. 18 and No. 17.

NOTE

- Use master socket for 2-wire telephone, and secondary socket for key telephone.



Connections of doorphone or Conference function

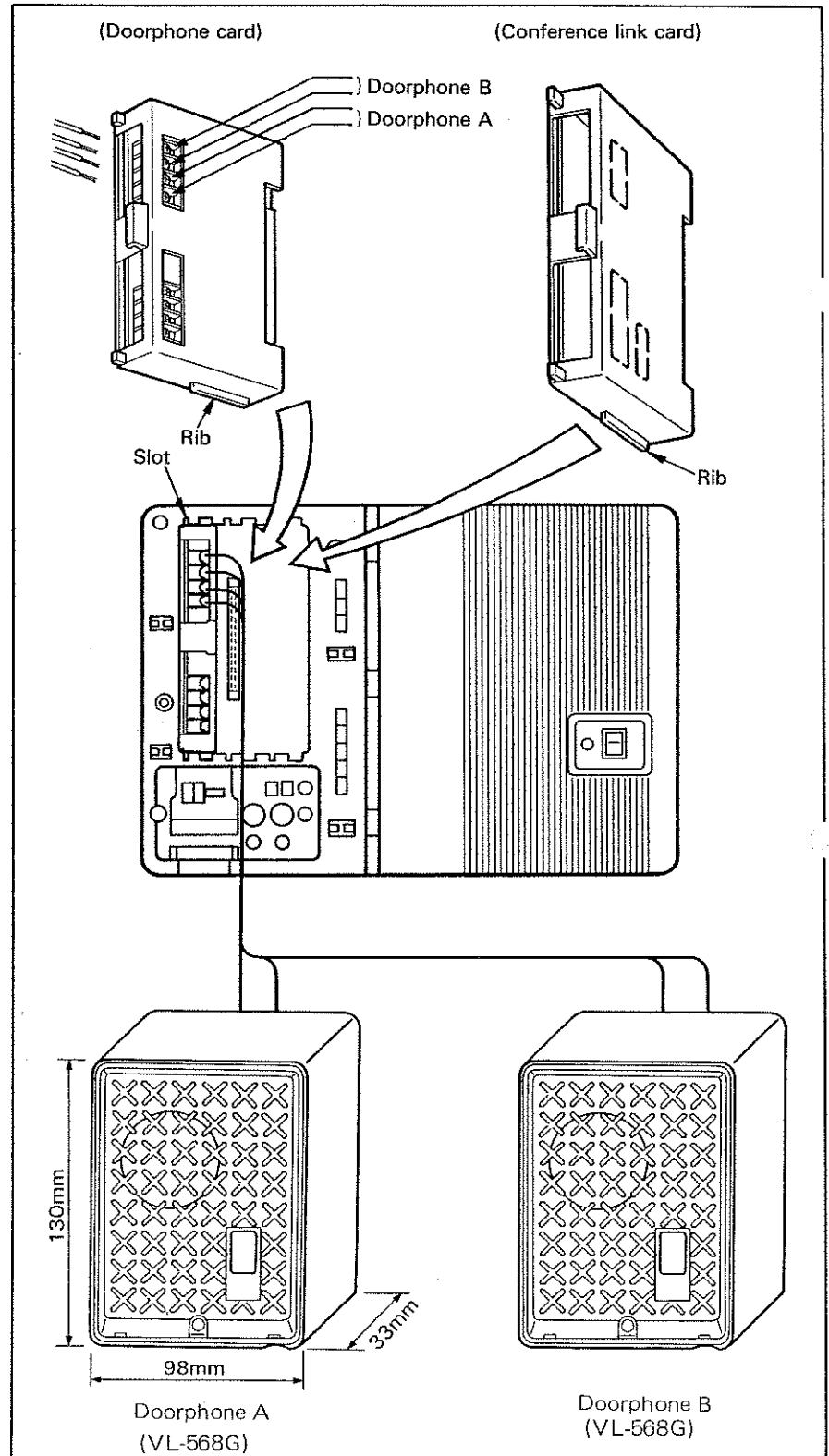
Make connections of a doorphone card or of doorphone according to the following procedure.

- **Connection of doorphone**

(1) **Connection of doorphone card (VA-30960UK)**
 Insert a doorphone card into the main unit. This one card is capable of making 2 doorphones usable.
 Note that the conference function can not be used if this card is installed.

(2) **Connection doorphone**
 Connect doorphone A and B to the screw terminals (2 terminals make a pair) located on the doorphone card.

- **To enable use of the conference function**
 Plug the conference link card (VA-30944UK) into the DPH connector inside the main unit.
 This card allows 3-party conferences. However, the doorphone cannot be used when this card is installed.



External music on hold source and external paging system

Make connections of the external music on hold (MOH) source and of the external paging system according to the following procedure.

• External music on hold source

- (1) Set the "MOH" switch inside the main unit to the "EXT" side.
- (2) Connect from earphone or aux. out jack to RCA "MOH" jack inside the main unit.
Do not connect directly to speaker output jacks. (Input impedance 50 kΩ, output level max. -10 dB)

• External paging system

Connect an external amplifier and external adaptor to the "EPA-OUT/EPA-C" connector inside the main unit. The "EPA-C" terminals are to control turning ON/OFF of the external amplifier power. Use RCA-type jack (output impedance: 600Ω, output level: 0 dB) for the connection to the external adaptor.

• Volume adjustment

The functions of "EPA VOLs 1 and 2" located inside the main unit are as follows.

EPA VOL1:

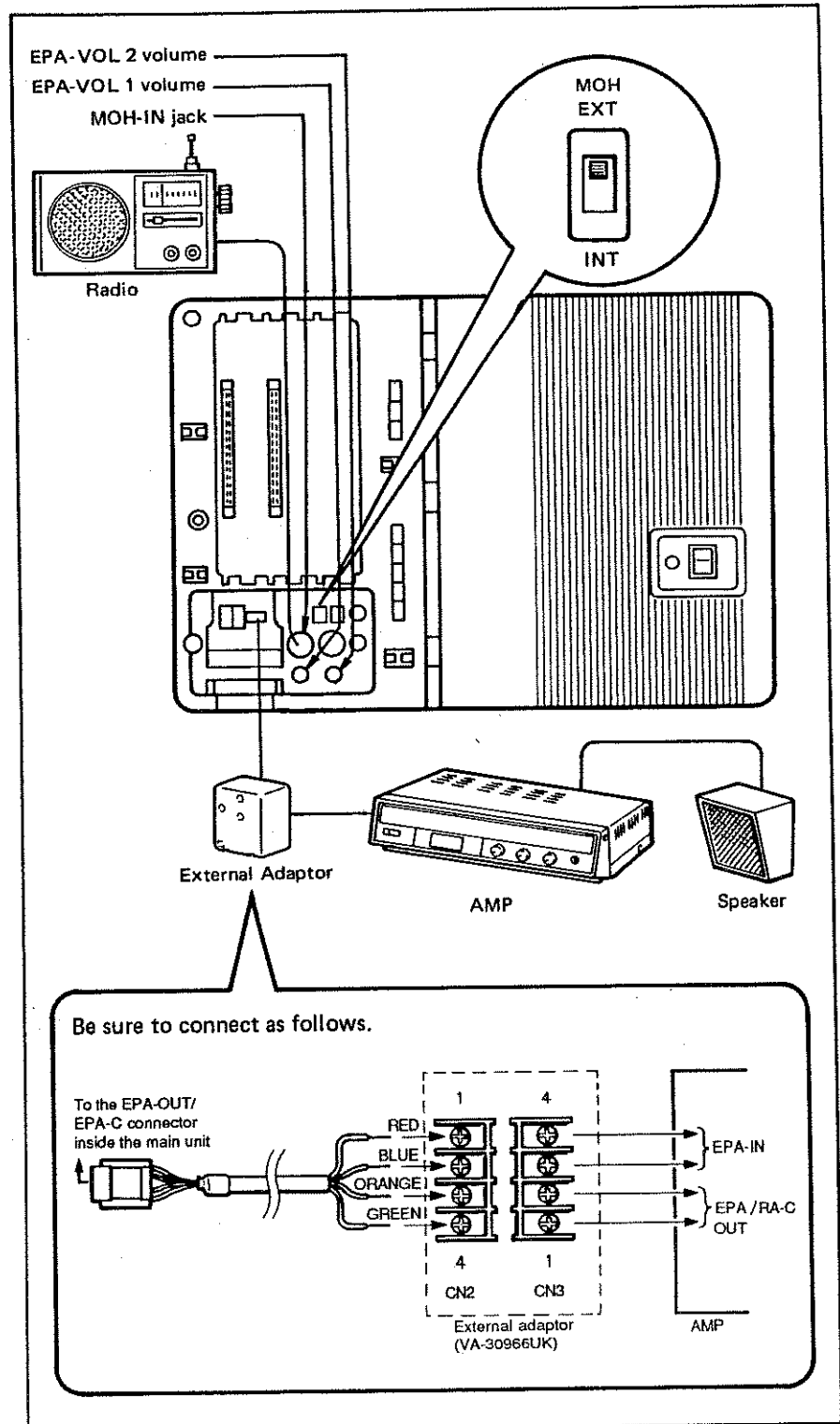
This volume is to control the level of the music output applied from the external sound source to EPA connector.

EPA VOL2:

This volume is to control the level of the voice output applied from the TEL to paged TEL, and EPA connector output.

CAUTION

Interconnection of the labelled port on the machine with any unlabelled port either directly or by way of other apparatus may produce hazardous conditions on the BT network and advice should be obtained from a competent engineer before such a connection is made.



Wall mounting the key station and fitting a telephone directory

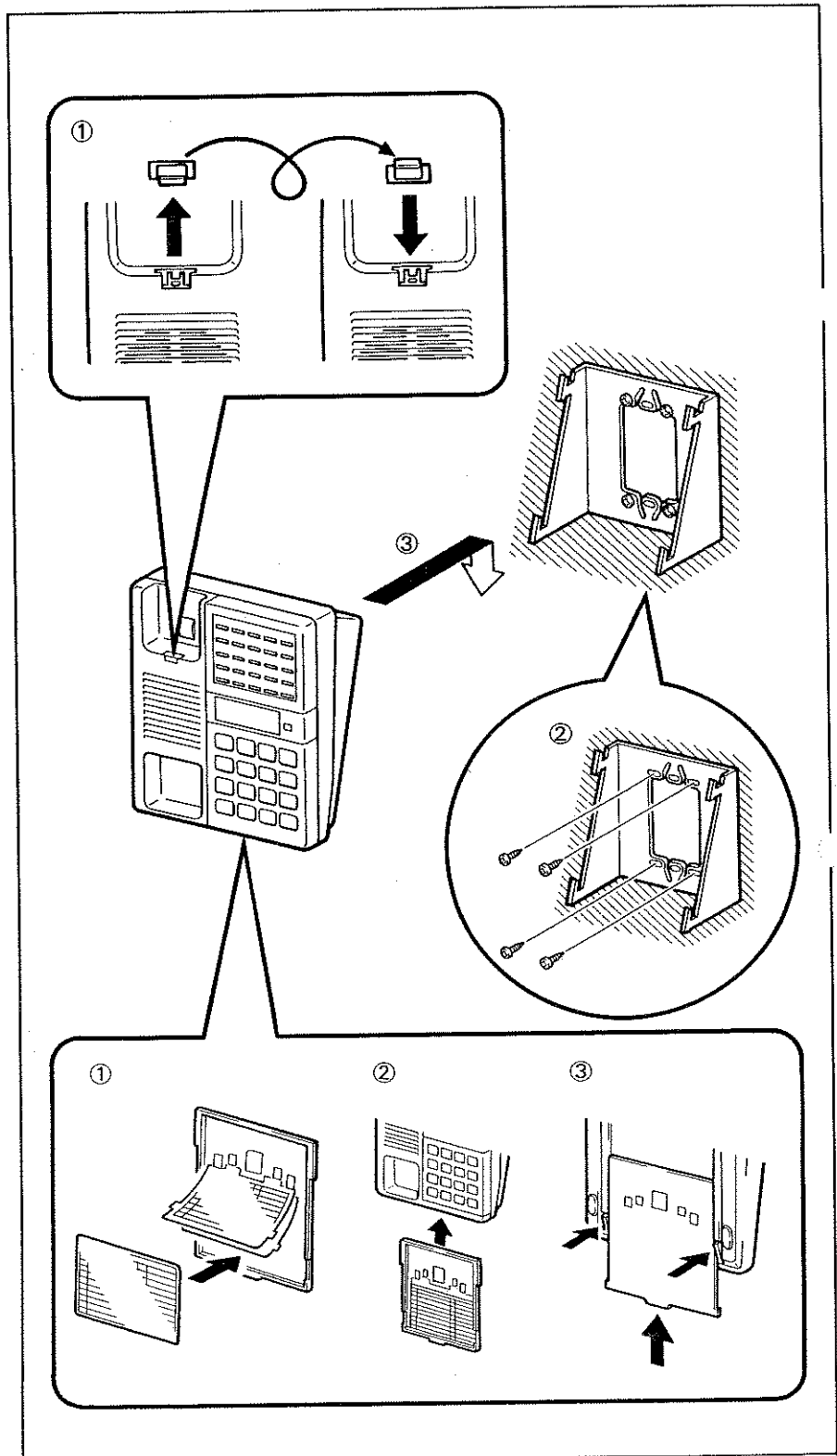
Install the station on the wall and fitting a telephone directory according to the following procedure.

- **How to wall mount the key station**

- ① Pull handset guide, turn it upside down, then insert it.
- ② Using four screws, set the metal wall fitting on the wall.
- ③ Hang the telephone by hooking the four slots on its base to the four protruding parts of the wall fitting.

- **Fitting the telephone directory**

- ① A directory is supplied with each telephone. Complete the self-adhesive labels as required. The design of the label permits either typed or written details.
- ② Fix the "Extension directory" to base tray and Speed dial directory onto transparent leaves.
- ③ The completed directory tray can now be fitted to the telephone as follows. Slide assembly into the parallel grooves on underside of telephone and push home until held securely.



Set up for main unit

The internal set up of the main unit and the explanations of switches and lamps are provided below.

- Set up of the main unit

- (1) MOH Switch

Perform the set up of the MOH switch.

INT : To use built-in hold tone.

EXT : To use external music on hold source. (See page 10).

- Explanations of switches and lamps.

- (1) Power Switch

This AC power switch is to control the whole system.

- (2) Power Monitor Lamp

This lamps is to indicate that the output level from power supply unit is normal.

- (3) How to reset

This switch resets the system.

If the RAM switch is set to "HOLD" system programming and speed dials will not be reset.

To reset the system, short the two sides of the pattern by inserting a screwdriver or other conductive implement.

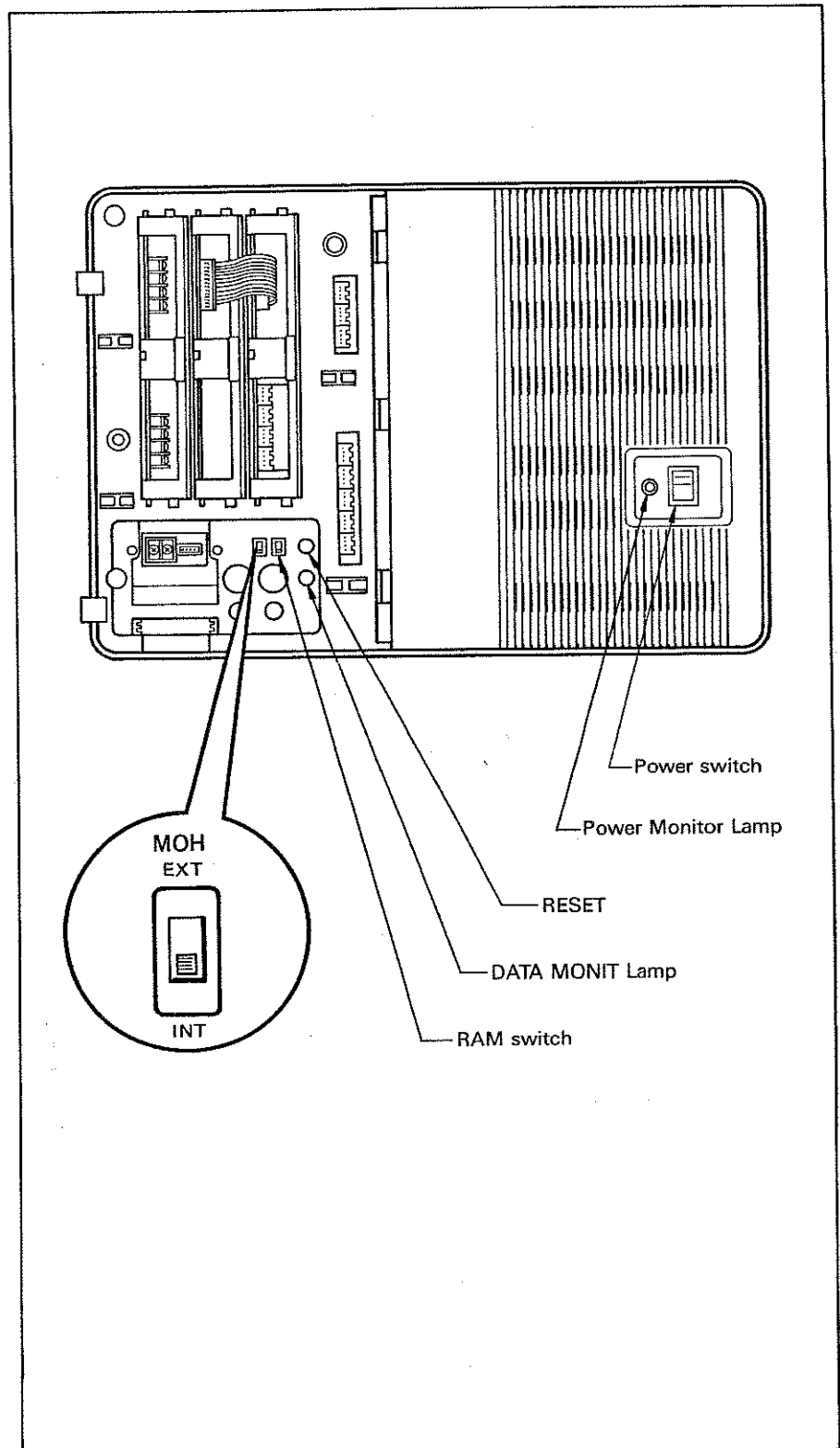
- (4) RAM Switch

This switch backups the RAM data.

Even when the power failure occurs, the RAM memory data will not be erased if the switch is on HOLD side.

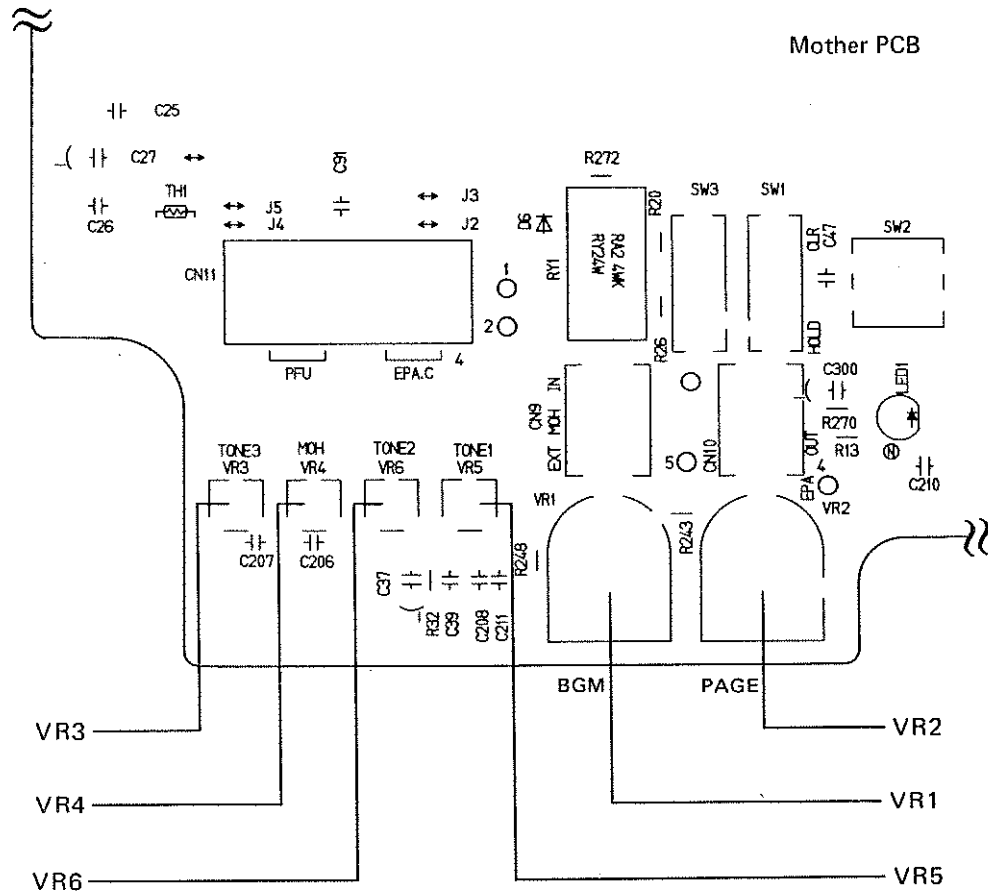
- (5) DATA MONIT Lamp

System is normal when lamp is flashing.



5. ADJUSTMENT

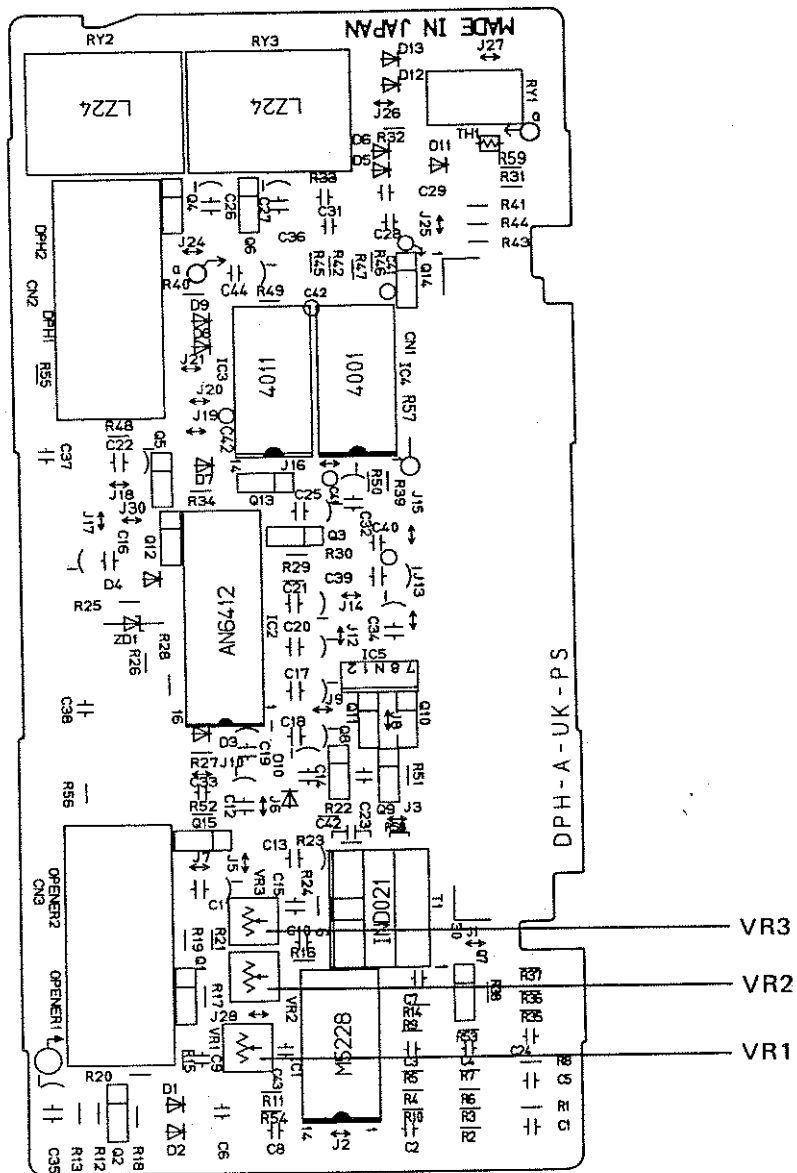
Main Unit



VR1	This volume is to control the level of the music output applied from the MOH-IN jack to the EPA connector. (GBM volume control)
VR2	This volume is to control the level of the paging voice output adjustment from the key telephone to the paged key telephone and the EPA connector.
VR3	This volume is to control the level of the COL incoming ringing tone.
VR4	This volume is to control the level of the signal tone generated inside the main unit or the external music on hold to be sent out to the held COL.
VR5	This volume is to control the level of the intercom incoming ringing tone.
VR6	This volume is to control the level of the intercom dial tone.

NOTE: COL: Central Office Line = Exchange Line

Doorphone card



VR1	This volume is to control the level of the conversation voice from the key telephone to the doorphone.
VR2	This volume is to control the level of the conversation voice from the doorphone to the key telephone.
VR3	This volume is to control the level of the incoming tone signal from doorphone to the key telephone.

6. OPERATION

1. BASIC FACILITIES

Features		Operation	
Making external calls	On-hook	- - -	(Select line) (Phone No.)
	Off-hook	- - -	(Select line) (Phone No.)
Making internal calls	Tone call	- -	(Extension No.)
	Voice call	- - -	(Extension No.)
Answering calls	External & Internal		
Call hold	External	/ To resume the call	(Call is put on hold) (Held line key)
	Internal	/ To resume the call	(Call is put on hold) (Held line key)
Call transfer	External	- - -	(Call is put on hold) (Extension No.) (Hang up)
	Internal	- - -	(Call is put on hold) (Extension No.)
3-party conference (one external, two internal) or (three internal)	Adding external party	- - - -	(Adding outside party to internal call)
	Adding internal party	- - -	(Adding internal party to internal conversation)

Note: When originating a call, the telephone can either use "On hook" or "Off-hook" by following the above procedure.

2. ADDITIONAL EXCHANGE LINE FEATURES

Features		Operation	
Last number redial		-	(Select line)
System speed dial (Abbreviated dialling)		-	(Access code)
Save dial	Making a call	- -	
	Storing number	- - (During a call) / - - (After terminating a call)	
Direct outside line access		- -	(Access code 309: 1 ~ 3 616: 11 ~ 16 824: 11 ~ 18 1232: 11 ~ 22)
Auto outside line access		-	(You may seize any available line.)
PBX recall (To hold and transfer calls)			(This facility is used only when the system is connected to switch board system.)
Putting an account code for call logging		- - -	(Account code Max 10 digits)
Signal conversion to MF tone			(After pressing * key, the signal is converted to MF tone even though the line is set to loop disconnect signal.)

3. ADDITIONAL INTERNAL FEATURES

Features	Operation
Zone paging (through telephone speakers)	→ → → (Code) (Page code: Zone 1: 01 Zone 2: 02 Zone 3: 03 All zone: 00)
Answering a page call	→ → →
Call pick-up	→ →
Calling a doorphone	→ → or → (61: doorphone A 62: doorphone B)
Night transfer setting and cancelling	→ → → → (When programmed INT lamp flashes.)
Do-not-disturb setting and cancelling	→ → → (When programmed DND/CF lamp glows.)
Call forward setting and cancelling (Available only from your extension eg. 10)	→ → → → → → → (your extension) (transfer to 33) (When programmed DND/CF lamp glows.) To cancel from ext 10: → → → → → (DND/CF lamp goes off.) (You can cancel from ext. 33 dialling 10 instead of 33)
Follow-me setting and cancelling (Available from any other station eg. 15)	→ → → → → → → (your extension) (transfer to 15) (When programmed DND/CF lamp glows.) To cancel from ext 15: → → → → → (DND/CF lamp goes off.) (You can cancel from ext 10 dialling 33 instead of 15)
Hands-free answer back	(Leave MIC always "on" or press MIC button when called in voice.) (When MIC is ON, lamp shows red.)

4. EXECUTIVE TELEPHONE FEATURES (VA-12022 only)

Feature	Operation
Hands-free speech	(Instead of lifting a handset, press "ON/OFF" key and follow each operation. To terminate a call press "ON/OFF" key again.)
Alarm	To set: → → → → → (Hour 00~23) (Minute 00~59)
	To cancel: → → →
Time setting (Extension 10 only)	→ → → → → (Hour 00~23) (Minute 00~59)

5. ADDITIONAL COMMON FEATURES

Feature	Operation
One touch dialling	Storing a code in memory: → → → (One-touch key) (Code or phone No.)
	Making a call from memory: → → (Select line) (Stored one-touch key)
Programmable key (unused line key)	Storing a code in memory: → → → → (Line key) (Phone No. or code) (You may store up to 8 digits.)
	Making a call from memory: → (Line key)
Extension lock	To disable extension: → → →
	To cancel: → → (ID code) (ID code: 4-digit 0000-9999) (ID code is programmed from ext. 10 only.)

7. SPECIFICATIONS OF SYSTEM

Modules and system configuration

	Model No.	Description	Q'ty system	Refer to page	Note
Main unit	VA-30910UK	Main unit	1	3	For 3 COL and 9 key telephone
6 Line Key telephone	VA-30920UK	Standard telephone	9	11	With intercom hand free talk-back
12 Line Key telephone	VA-12020UK	Standard telephone			
	VA-12022UK	Speakerphone with LCD Display			
Optional equipment	VA-30940UK	Extension card A	1	7	1 pce. for 4 key telephones
	VA-30941UK VA-30941UK(R)	Extension card B		8	1 pce. for 4 single line telephones
	VA-30942UK VA-30942UK(R)	Extension card C			1 pce. for 2 key telephones and 2 single line telephones
	VA-30944UK	Conference link card	1	9	
	VA-30960UK	Doorphone card			1 pce. for 2 doorphones
	VL-568G VL-582A	Doorphone	2		
	VB-6042P	Wall mounting bracket	1	11	
	VA-30966UK	External adaptor	1	10	

NOTE: COL: Central Office Line = Exchange Line

System capacity, specifications and check list of parts

● System capacity

COL capacity	3
Intercom speech path	3
Key telephone*	Up to 9 (EXT. No. 10 to 18)
Automatic dial	
One touch dial	10 stations (for each telephone)
System speed dial	90 stations (for the system)
Speed dialling digits	16 digits/Station (including PBX access code)
Redialling digits	16 digits/Last number and save number

● Specifications

Dimensions (mm) (Height x Width x Depth) and Weight (Kg)	
Main Unit	272(H)378(W)107(D), 4(Kg)
Key Telephone	213(H) 170(W) 85(D), 1.0(Kg)
Power Consumption (Watt)	
Maximum	Approx. 60W

- *Note: 1. Specifications subject to change without notice.
 2. Any of the below combination
 a. 9 Key telephones
 b. 7 Key telephones & 2 single line telephones
 c. 5 Key telephones & 4 single line telephones
 3. COL: Central Office Line =Exchange Line

● Check list of parts

When you unpack the system phone, make sure that you have all of the following parts.

Main Unit

Main unit (VA-30910UK)	1 pce
DDK connector	10 pcs
Operating instructions	1 copy
Installation and Programming Manual	1 copy
Programming table	1 copy
Screw template for wall mounting main unit	1 copy
Label for Socket	1 set

Key Telephone

Base	1 pce
Handset	1 pce
Handset cord	1 pce
Station cord (5m)	1 pce
Telephone directory	1 set
Operating instructions sheet	1 copy

MEMO

PROGRAMMING

EXPLANATION ON PROGRAMMING

The VA-309UK is a small, sophisticated Key Telephone system. It offers many features which can be easily programmed to uniquely fit your communication needs.

The VA-309UK utilizes Random Access Memory (RAM) for storage of the "User's" variable programs and features. Each telephone station can be assigned a set of features based on the individual "User's" requirements.

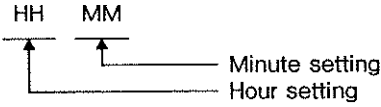
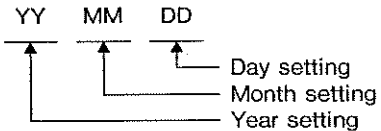
Note that a program has been pre-set into the VA-309UK system memory for general use which is called the Initial Set. Thus, no programming is necessary to immediately use your telephone system. However, to properly change from the Initial Set to any other option, the programming steps detailed under the Programming Settings for the desired feature must be followed. A programming record chart is provided for ease of recording your program changes. A sample of this Programming Table indicating the Initial Set can be found in the back of this manual. Whenever programming changes are made, they should be immediately recorded on the Programming Table to provide a quick reference of the current programmed feature options.

PROGRAMMING CONTENTS

1. INITIAL SET LIST	21
2. PROGRAMMING DESIGN TABLE	23
3. METHOD OF PROGRAMMING	25
4. PROGRAMMING	28
APPENDIX	74

1. INITIAL SET LIST

The table below describes the initial default settings and alternate programmable range of available features.

	FEATURE	INITIAL SET	DESIRED FUNCTION	PAGE
System setting	Ring priority for outside and Intercom call	Internal priority	Outside priority	28
	Type of Intercom Ringing	Tone	Voice	29
	System Speed Dial group A	00 to XX(89)	XX can range from 00 to 89	30
	System Speed Dial group B	YY(00) to 89	YY can range from 00 to 89	31
	Flash time	2 sec	0.6 sec or 1 sec	32
	Dial generation guard time	0.6 sec	0.4 sec, 1 sec, 2 sec or 3 sec	33
	Long Speech Alarm	No alarm tone	Have alarm tone	34
	Exchange Line Auto Answering	Automatic answering with hand set or ON/OFF key	No auto answering or automatic answering with handset	35
	Incoming Ring of night mode	Ring on night time ring set TEL	Ring on both telephones	36
	Hold Recall	Recall after 1 min	Recall after 30 sec, 2 min, 3 min or immediately and no recall	37
	Connection of Doorphone	Can connect	Can not connect	38
	Transfer mode	Enabling SVT and USVT by handset or ON/OFF key operation	Handset only (SVT & USVT), handset & ON/OFF key (SVT), handset only (SVT) or not stipulated.	39
	Automatic Pause (Redial key)	2 sec	1 sec, 3 sec, 4 sec, 5 sec, 6 sec, 7 sec, 8 sec or 9 sec	40
	Automatic pause for PBX	PBX access no. : 9 Pause time : 2 Length of no. : 1	Dial no. 0 to 9 (Max 4 entries)	41
	Automatic Pause	Clear	Pause time : 1 sec to 9 sec Dial no. 0 to 9 (Max 16 digits/8 entries)	42
	PBX outside dialling digit	PBX access no.:9 Length of no.:1	Dial No. 0 to 9 or clear (MAX:4 entries)	43
	Incoming call restriction	In accordance with outside dialling restriction class	Incoming call restriction	44
	Digit length restriction	Not restricted	Restrict one of the digit length from 8 to 16 digits	45
	* and # restriction	Restricted	Restricted	46
	2 digits restriction	Dial No. 00 to 09	Dial No. 10 to 99 or clear (MAX: 10 entries)	47
4 digits restriction override	Clear	Dial No. 0 to 9999 or clear (MAX : 16 entries)	48	
Display time system setting	00 00 (HH) (MM)		49	
Date setting	88 01 01 (YY) (MM) (DD)		50	

1.INITIAL SET LIST

	FEATURE	INITIAL SET	DESIRED FUNCTION	PAGE
Exchange Line setting	Tone / pulse dialling signal conversion	Pulse dial	Tone dial	51
	Exchange line or PBX Extension line	Exchange line	PBX Extension line	52
	Automatic outside line selection group	Designated	Not designated	53
	Sending time of DTMF signals	80 m sec / 240 m sec [Sending time / Minimum pause]	80 m sec / 80 m sec or 240 m sec / 240 m sec	54
	Detection time of Ringing signal	4 sec	6 sec, 8 sec or 10 sec	55
	Recall signal type	Not sending Recall signal	Time break type or earth recall type	56
	Earth recall time	2 sec	1 sec or 1.5 sec	57
	Call duration display	After 15 sec or After answer	After answer, after 30 sec or answer	58
Extension setting	Telephone type	Key telephone	Single line telephone	59
	Line key assign	Line key 1 : Exchange Line 1 Line key 2 : Exchange Line 2 Line key 3 : Exchange Line 3 Line key 4 ~ 12: FF key	Setting any Exchange Line number between 1 to 3 or FF key.	60
	Incoming call ring	Ring	No ring	62
	System speed dial group	Both groups A and B usable	Only group A usable, only group B usable or neither groups A nor group B unusable	64
	Off-hook signalling	No ring	Intercom incoming ring only, Exchange Line incoming ring only or intercom and Exchange Line incoming ring	65
	Flexible night service setting	Can not set to night mode	Can set night mode	66
	Flexible night service	No night ring	Have night ring	67
	Zone paging	Zone 1	Zone 2 to 3 (a multiple setting) (Zone 3 includes external paging)	68
	Doorphone call	Both A and B will ring	No doorphone ring, only A will ring or only B will ring.	69
	Secretary or boss telephone setting	Normal	Secretaly telephone or boss telephone	70
	Call barring (class of service)	Not restricted	Outside dialling restricted 100, 010, 155, 0001 and 999.	71
	Call barring (system speed dial)	Restricted	Not restricted	73

2. PROGRAMMING DESIGN TABLE

For the system and each of the key telephones, perform programming designing according to the following table.

System setting

FEATURE	CONTENTS
For incoming signals give priority to outside line or internal line.	
Set the type of intercom ring to either tone ring or voice ring.	
Enter the range of the system speed dial group A.(00 to XX)	
Enter the range of the system speed dial group B.(YY to 89)	
Set the flash time to 0.6 sec, 1 sec or 2 sec.	
Set the dial generation guard time to 0.4 sec, 0.6 sec, 1 min, 2 min or 3 min.	
Performe the desired setting for long Call alarm.	
Enter whether COL auto answering is performed at handset or handset & ON/OFF key.	
Set the COL night incoming ring for night ring set TEL or for COL ring set TEL.	
Set the time of the hold recall to no recall, 30 sec, 1 min, 2 min, 3 min or immediately.	
Perform connection of the doorphone.	
For operating the on-hook transmission mode using the key telephone, set to handset or ON/OFF key, and have the transmission mode in SVT or USVT.	
Which pause time from 1 sec to 9 sec is set for when making outside calls by system speed dialling?	
Which pause time from 1 sec to 9 sec is set for when making outside calls through PBX?	
Which dial number from 0 to 9 has been set before inserting the automatic pause? Which pause time from 1 sec to 9 secs has been set?	
Enter dial No.0 to 9 of PBX outside line access dialling digits.	
Possible or not to dial out with the line on which a call is received.	
Enter the digit length 8 to 16 for the digit length restriction.	
Apply the * and # restriction.	
Set the 2 digits restriction dial number within 00 to 99.	
Set the 4 digits restriction dial number within 0 to 9999.	
Set the type of tone or pulse for each outside line.	
Enter COL or PBX for each outside line.	
Perform MCO(Automatic access telephone line)designation.	
Set the length of DTMF signals to 80m/sec-80m/sec, 80m/sec-240m/sec or 240m/sec-240m/sec.	
Set the COL ring detection time for 4 sec, 6 sec, 8 sec or 10 sec.	
Set the recall signal type for time break or earth recall.	
Set the earth recall time for 1 sec, 1.5 sec or 2 sec.	
Display appear timing of the delay time setting.	

Extension setting

FEATURE		Marking symbol	EXTENSION NO.																	
			10	11	12	13	14	15	16	17	18									
Enter KEY TEL or SLT.		KEY or SLT																		
Set COL 1 to 3, for the key number.	COL1	1 ~ 12 or F																		
	COL2	1 ~ 12 or F																		
	COL3	1 ~ 12 or F																		
Set the incoming ringing designation to the ring position.	COL1	Yes or No																		
	COL2	Yes or No																		
	COL3	Yes or No																		
Set the doorphone call for one ring, intercom incoming ring only, COL incoming ring only or intercom and COL incoming ring.		NO.INT.COL or INT/COL																		
Set the doorphone call for one of no doorphone ring, only doorphone A will ring, only doorphone B will ring or doorphone A and B will ring.		No, A, B or AB																		
Enter Zone 1 to 3 for the Zone paging.		1, 2 or 3																		
Set the system speed dial group for one of no use, group A only, group B only or group A and B.		No, A, B or AB																		
Set the flexible night service setting to the night mode position.		Yes or No																		
Set the flexible night service to the ring position.		Yes or No																		
Enter Call barring class 1 to 4. Class 1:Outside dialling disabled. Class 2:Outside dialling restriction for 100, 155, 010 and 0001 except 999 and 1 to 4 digits restriction I. Class 3:Outside dialling restriction for 155, 010 and 0001 except 100, 999 and 1 to 4 digits restriction II. Class 4:No restriction	COL1	1,2,3 or 4																		
	COL2	1,2,3 or 4																		
	COL3	1,2,3 or 4																		
Apply "Restricted" for the system speed restriction.		1, 2 or 3																		

NOTE : COL : Central Office Line = Exchange Line

3. METHOD OF PROGRAMMING

Read the following paragraphs before proceeding to the actual programming instructions and procedures.

These notes and procedures are intended to acclimate the programmer to the proper programming sequence required prior to the actual programming.

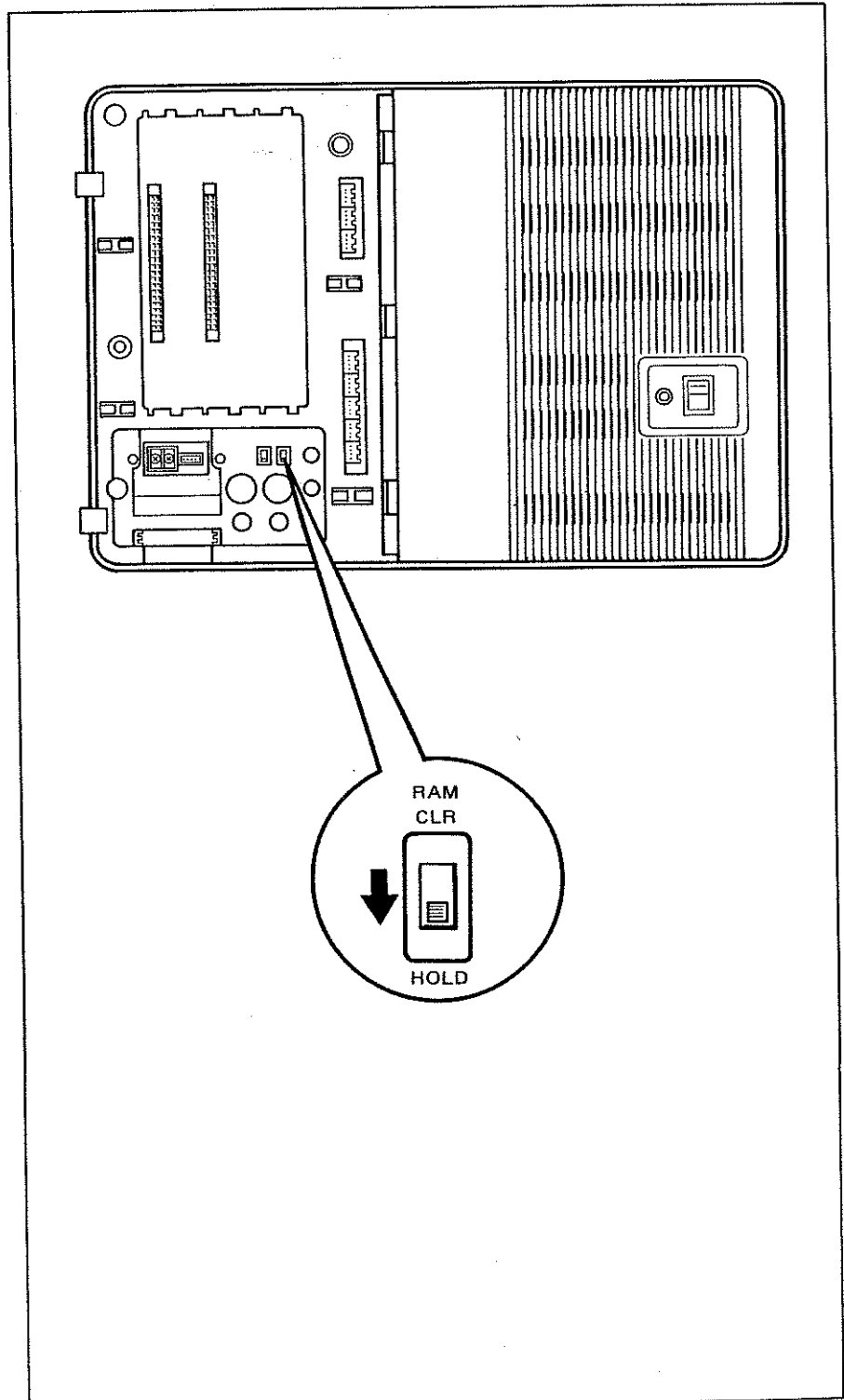
- **Programming of initial set**

- ① Assure that the RAM switch is positioned at "CLR" side.
- ② Set the power switch to the "ON" position.
- ③ After about 5 seconds, assure that the DATA MONIT lamps is flashing.
- ④ Change the RAM switch from the "CLR" side to "HOLD" side.

The initial set programming is now completed through the above operations.

NOTE

If you change the programming again, the RAM switch is not necessary switched over.



• **Method of programming**

All programming changes are made at Extension No. 10 and it is recommended to use key telephone with a display (VA-12022UK).

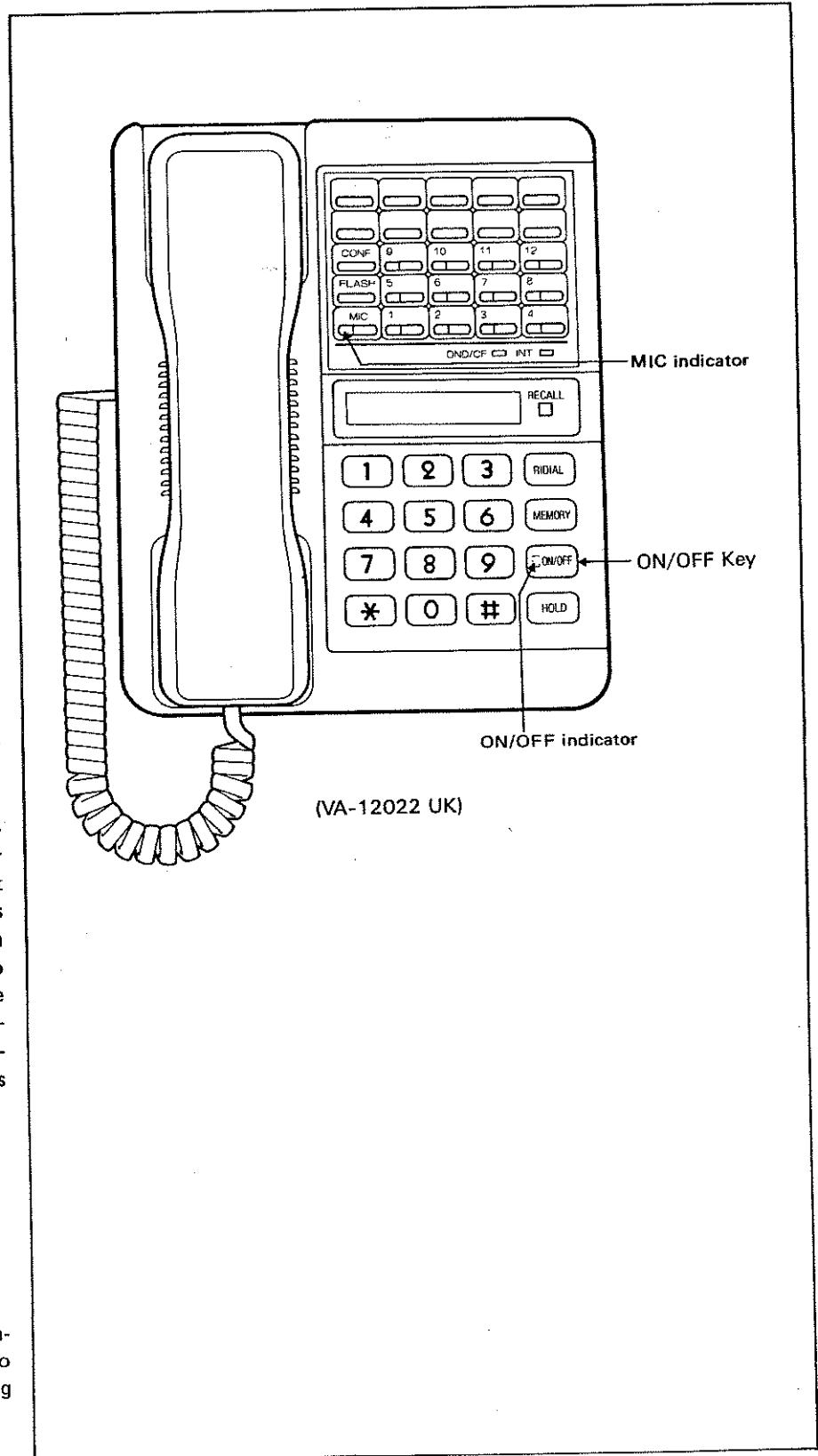
- ① Press the ON/OFF key. The ON/OFF indicator and MIC indicator lights up and a continuous tone is emitted.
- ② Press the * 0 0 0 (The continuous tone will stop) and then press the dial key X # (X: mode numbers 1 to 7)

- mode 1: System setting
- mode 2: Exchange line setting
- mode 3: Key telephone setting
- mode 4: Incoming call ringing setting
- mode 5: Line/FF key setting
- mode 6: Call barring setting
- mode 7: Display time setting

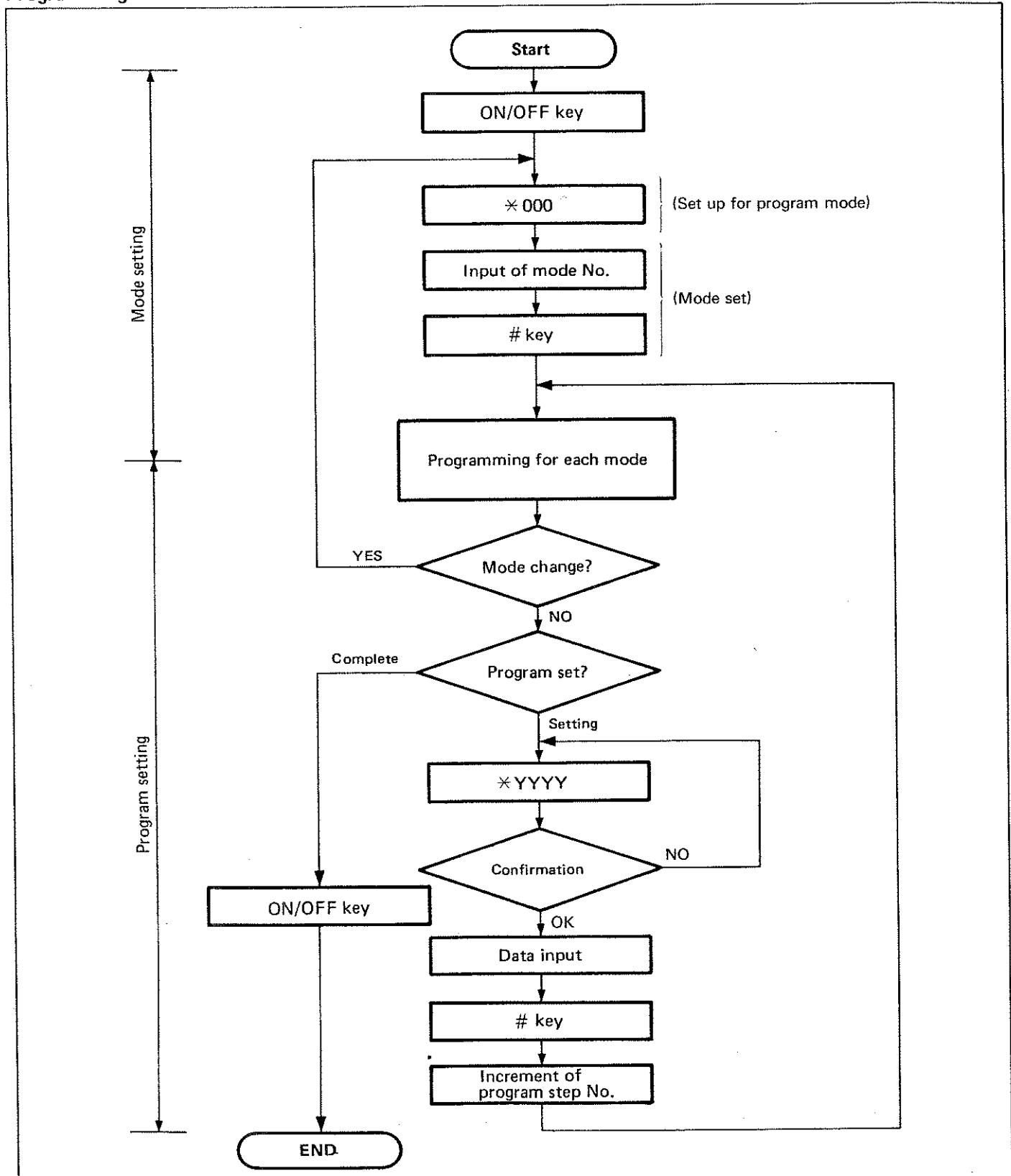
- ③ Press the program step numbers for the desired feature option. Refer to the PROGRAMMING TABLE for programmable feature option.
- ④ Press the # key to store the memory. The next program step will appear on the LCD display. When Select numbers of the programming features to be changed are the same, program step numbers of the programmings to be changed can be input after the registration. Therefore, the programming changes can be performed continuously for the programming features having the same select number.
- ⑤ Press the ON/OFF key and display will return to the clock mode (ON/OFF indicator and MIC indicator will go off).

• **Mode confirmation**

If you want to confirm the mode number during programming, you can do so with the LCD display by inputting " * 0 0 0 ".



Programming flowchart

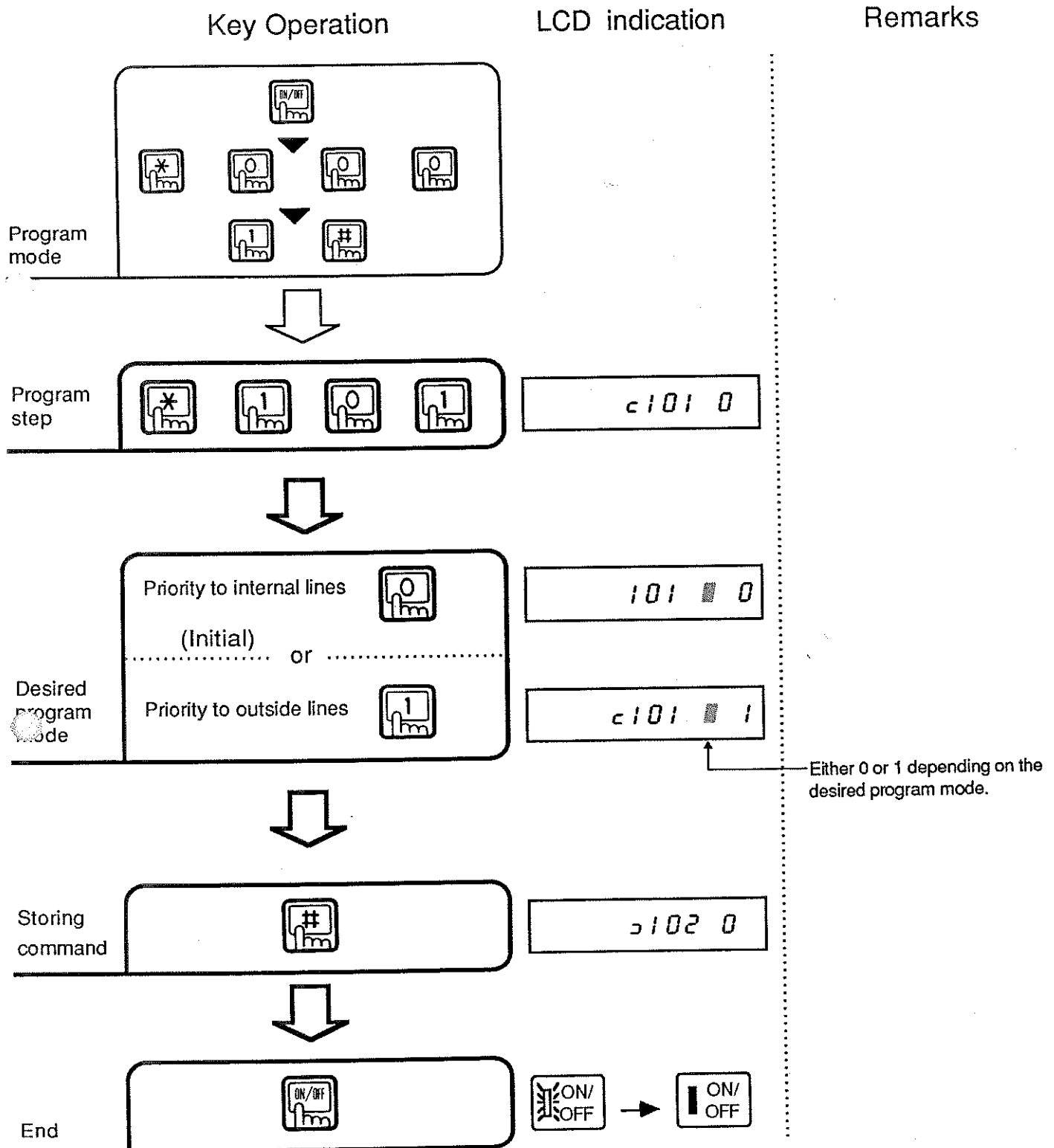


4. PROGRAMMING

System setting

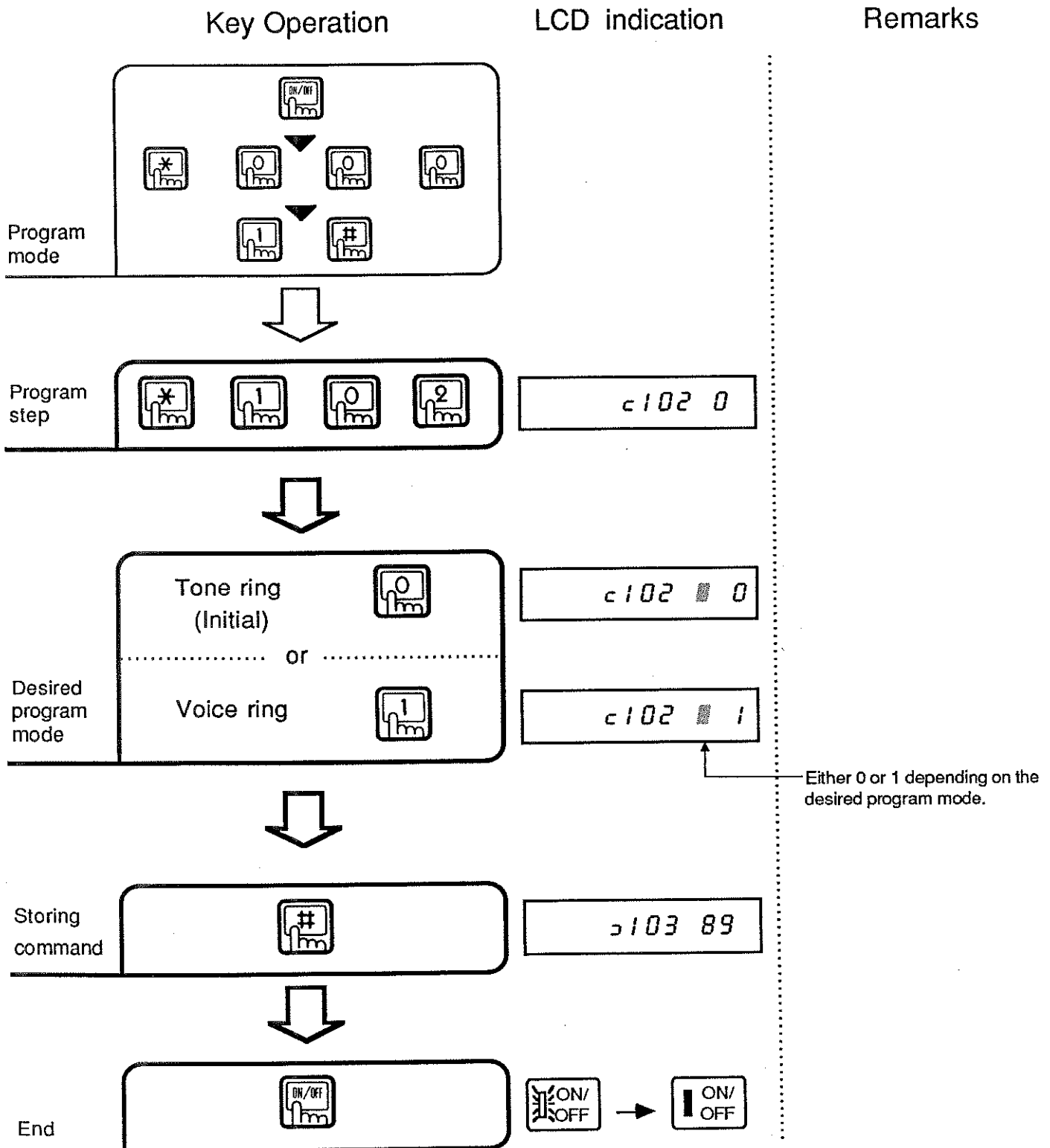
Ring priority for outside and Intercom call

The following procedure allows ring priority to be given to calls originating either on internal lines or on outside lines.



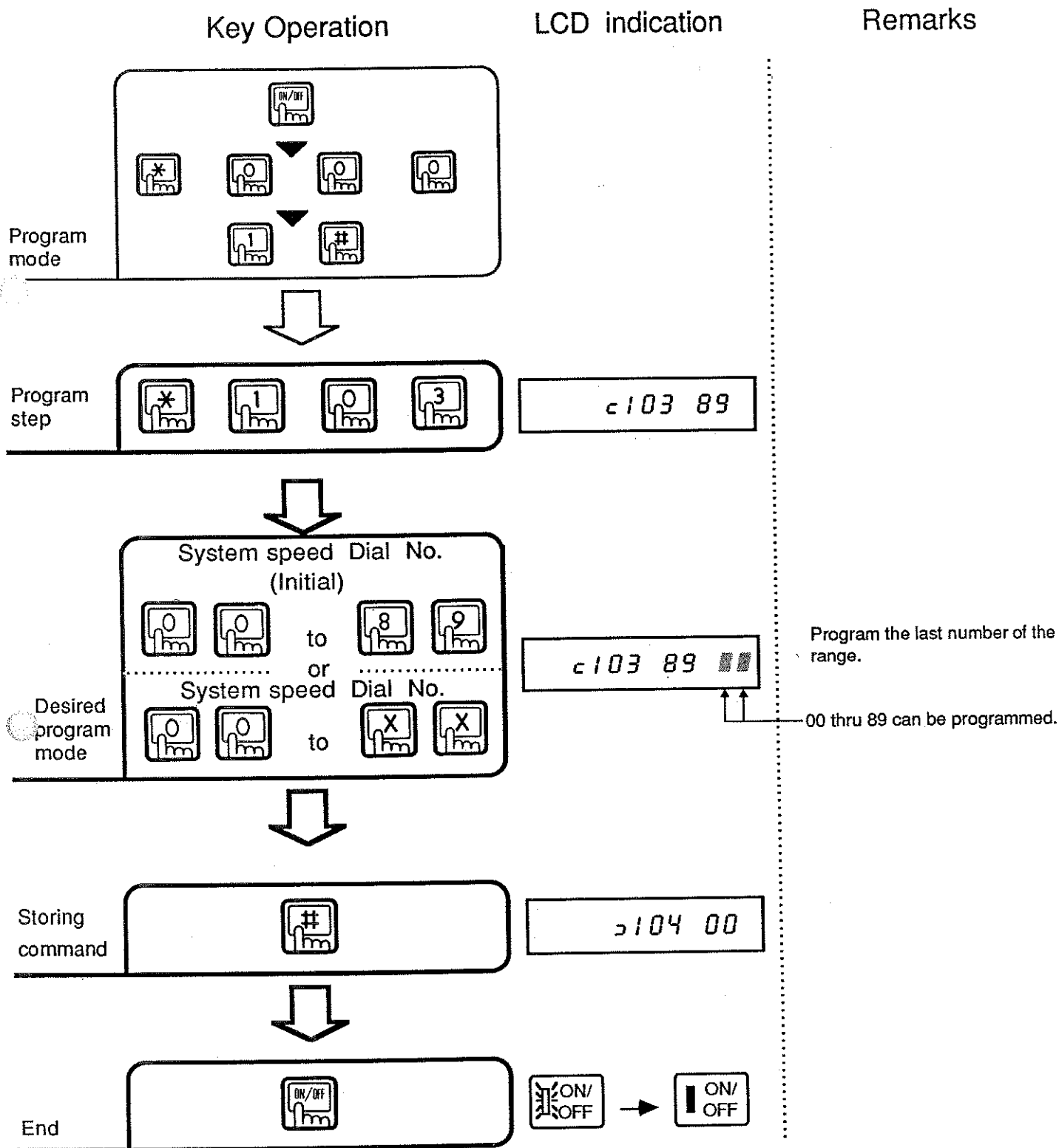
Type of Intercom Ringing

The following procedure allows you to set the intercom ringing type to either tone or voice.



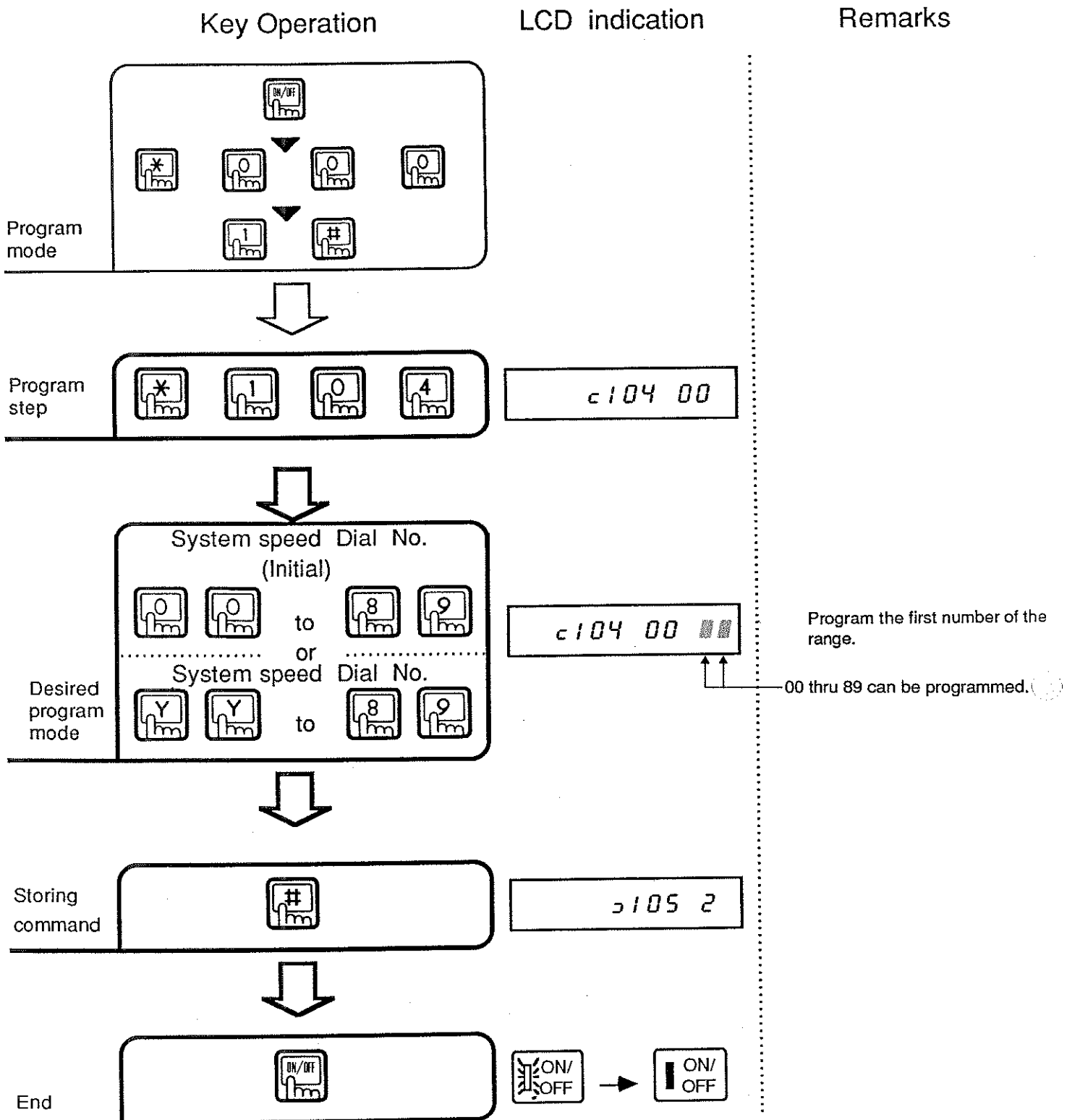
System Speed Dial group A

You can divide the system speed dial memory into two groups. The range of address numbers for group A is from 00 to XX. XX is the last address number of the range and the designation should be between 00 to 89.



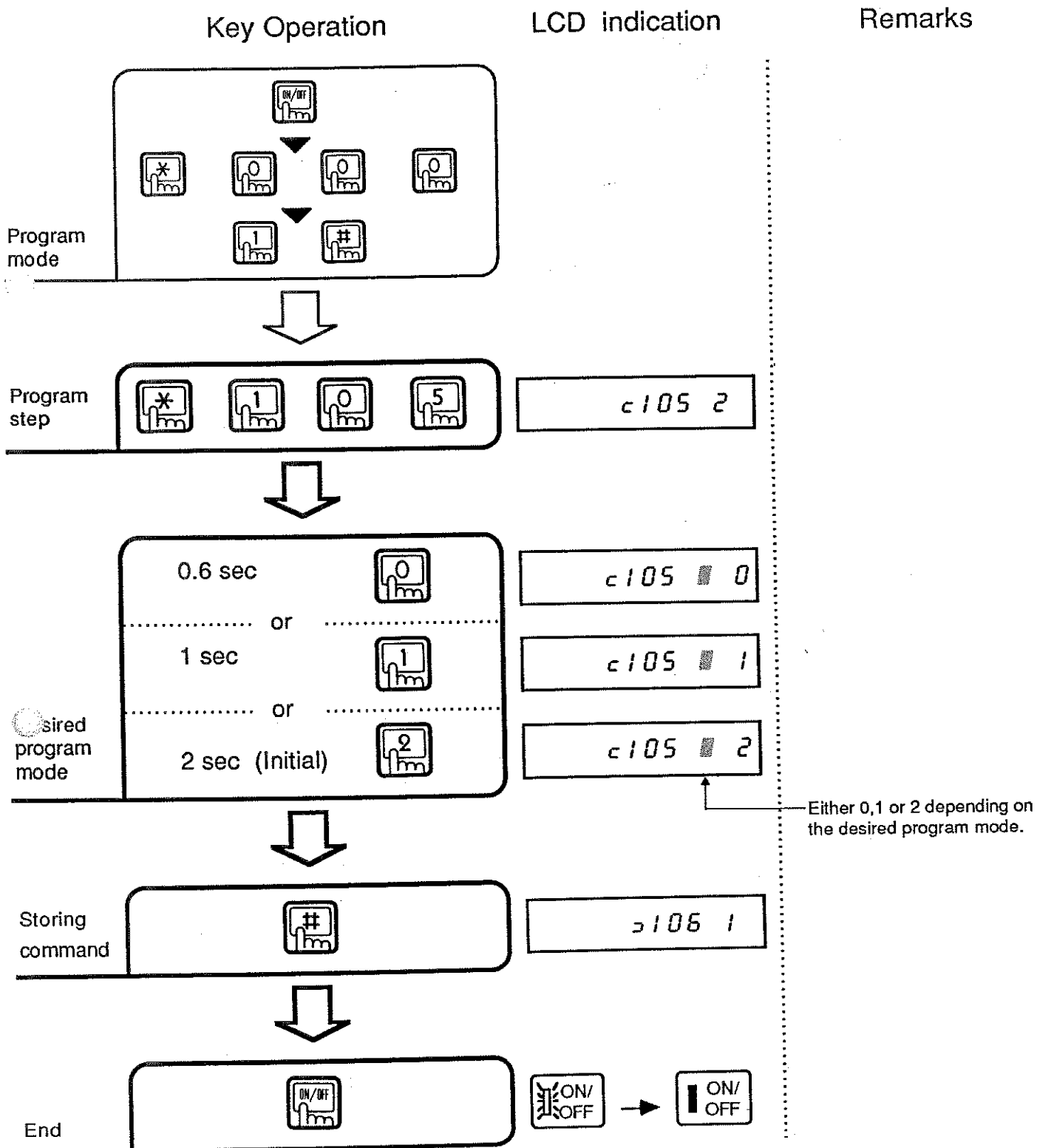
System Speed Dial group B

You can divide the system speed dial memory into two groups. The range of address numbers for group B is from YY to 89. YY is the first address number of the range and the designation should be between 00 to 89.



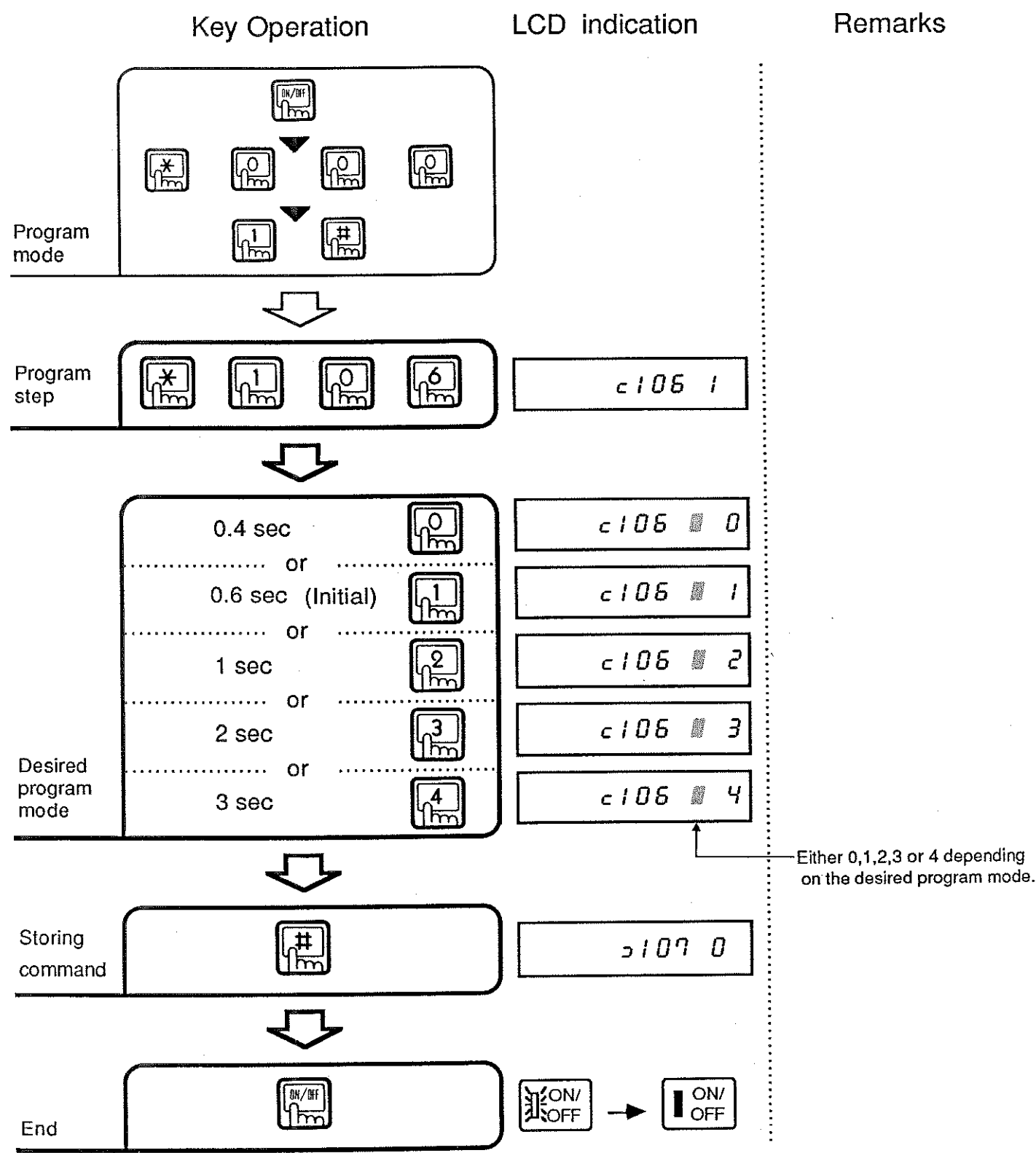
Flash time

You can set the time from clear to seize for exchange line with FLASH key and that of auto-flash with REDIAL key function. When you wish to use the call waiting service, just press FLASH key.



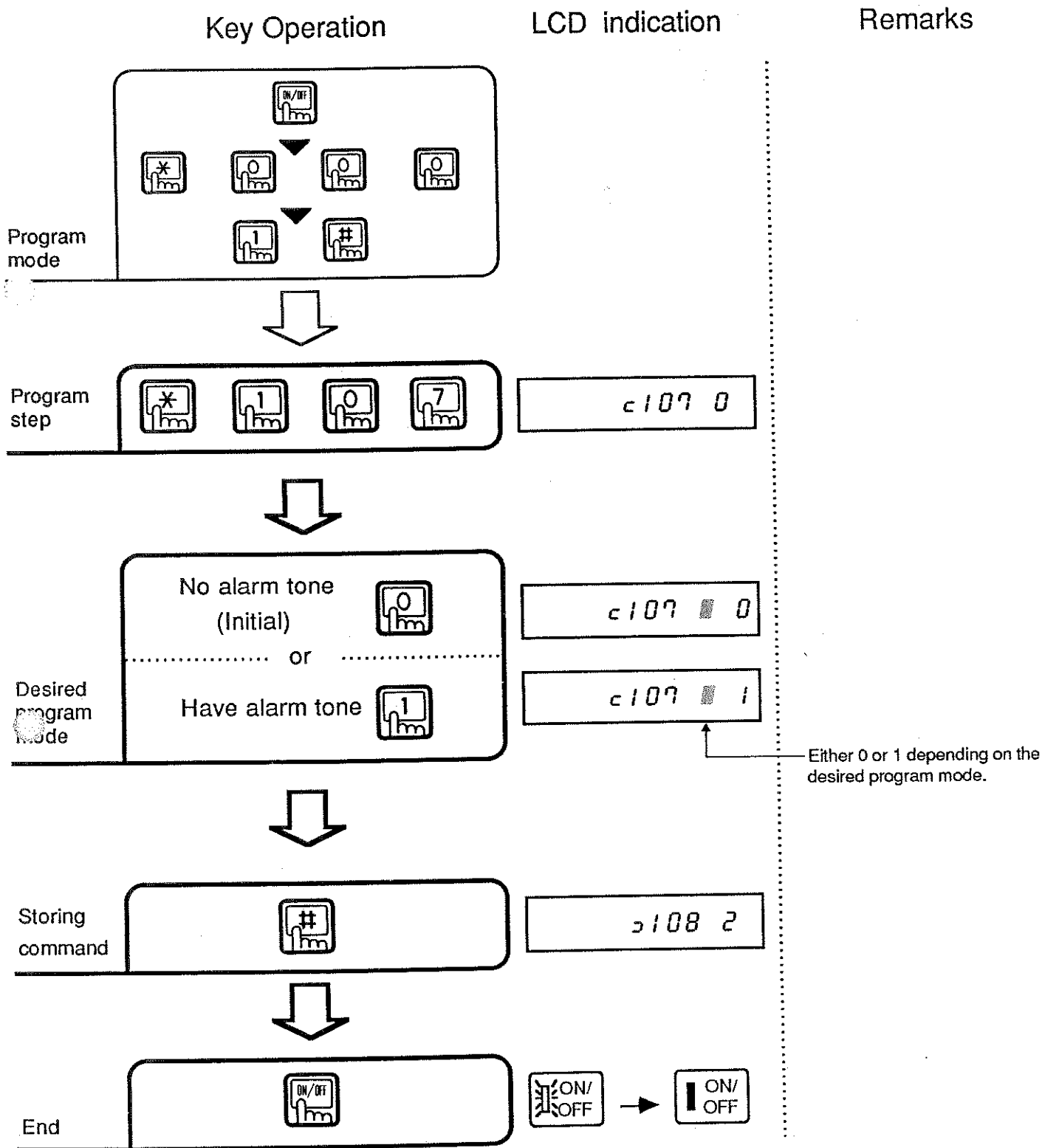
Dial generation guard time

This determines the time from seizing exchange line to sending the dialling signals.
 This is used to avoid sending dialling signals before host PBX or PSTN is acceptable a dialling signals.



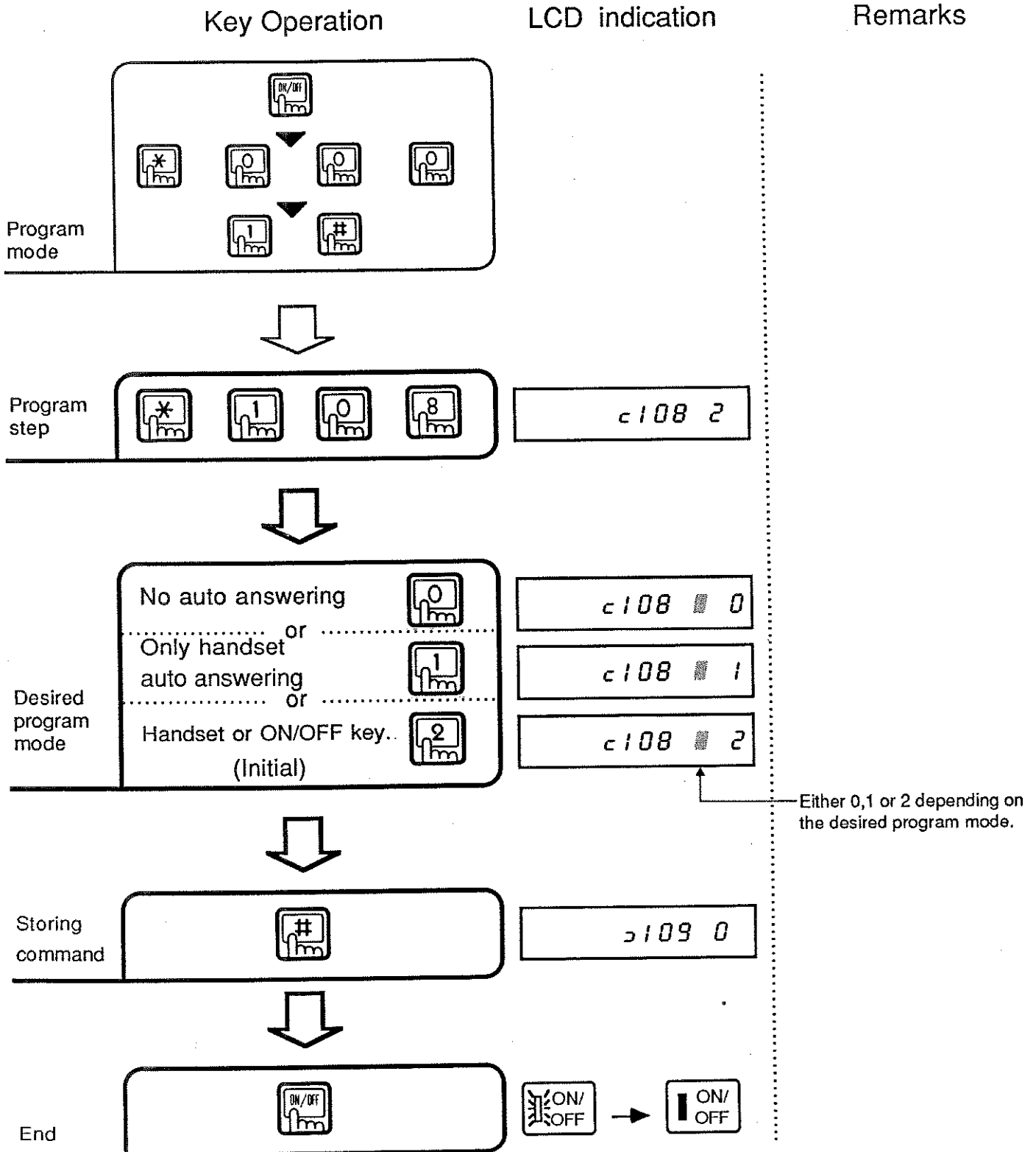
Long Speech Alarm

When making an outside call, you can set so that a short alarm tone sounds from the speaker every three minutes.



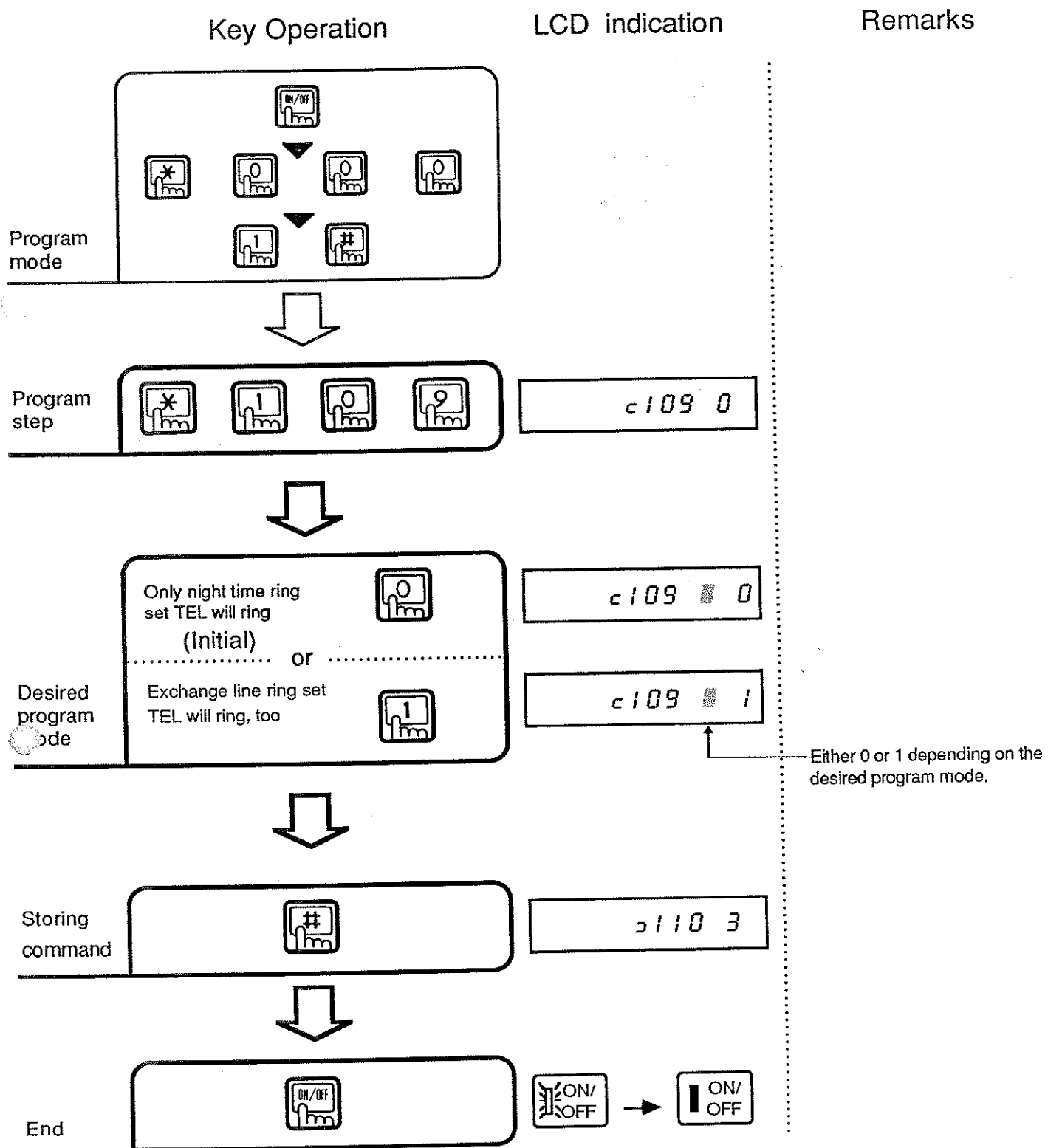
Exchange Line Auto Answering

You can answer incoming calls without pressing Line key. There are two systems for answering: one is to simply lift the handset and the other is to press ON/OFF key.



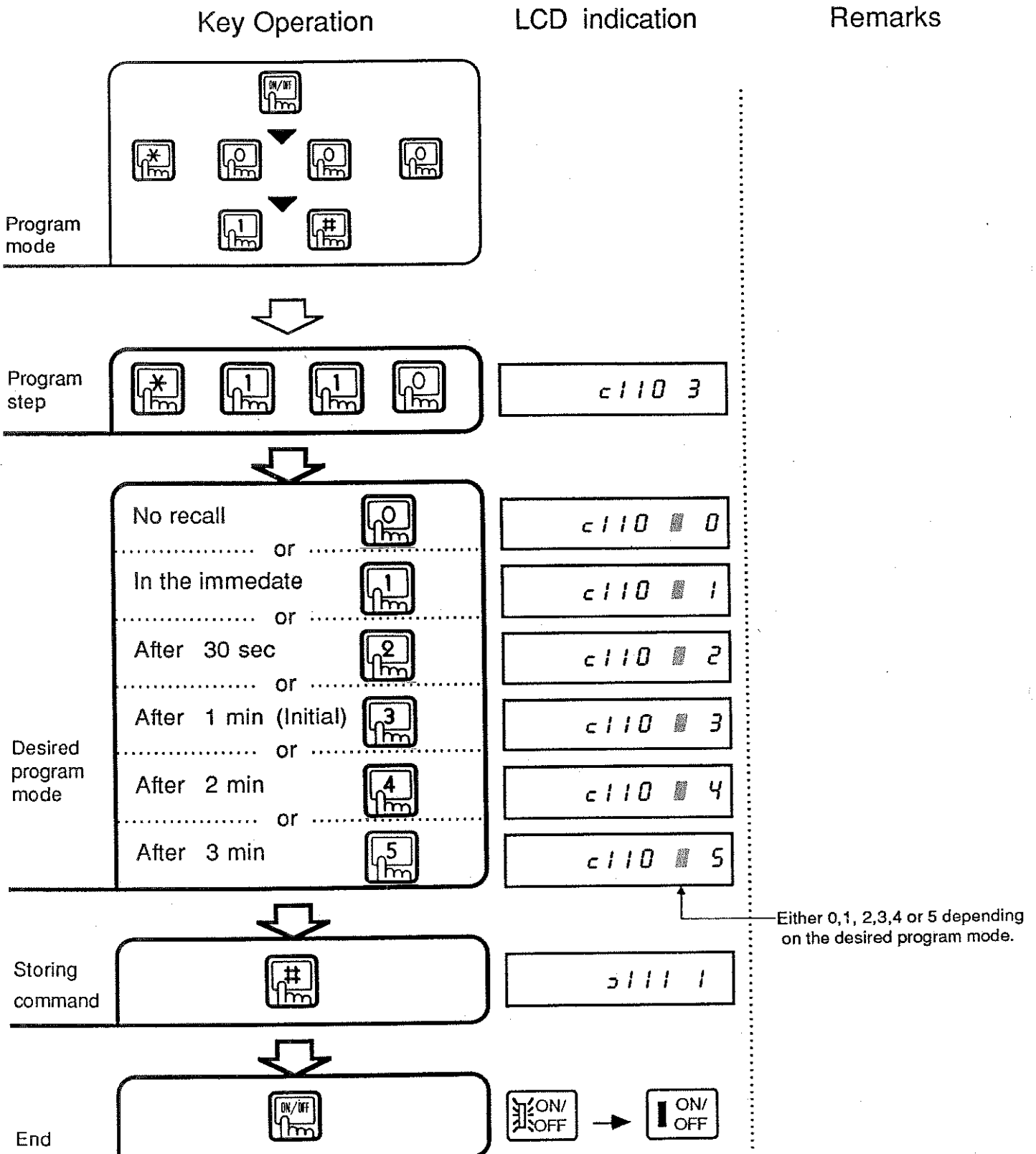
Incoming Ring of night mode

You can specify telephones to ring in case of night time incoming calls in systems programmed for this purpose. This is necessary when the places for receiving incoming calls are different at daytime and night time.



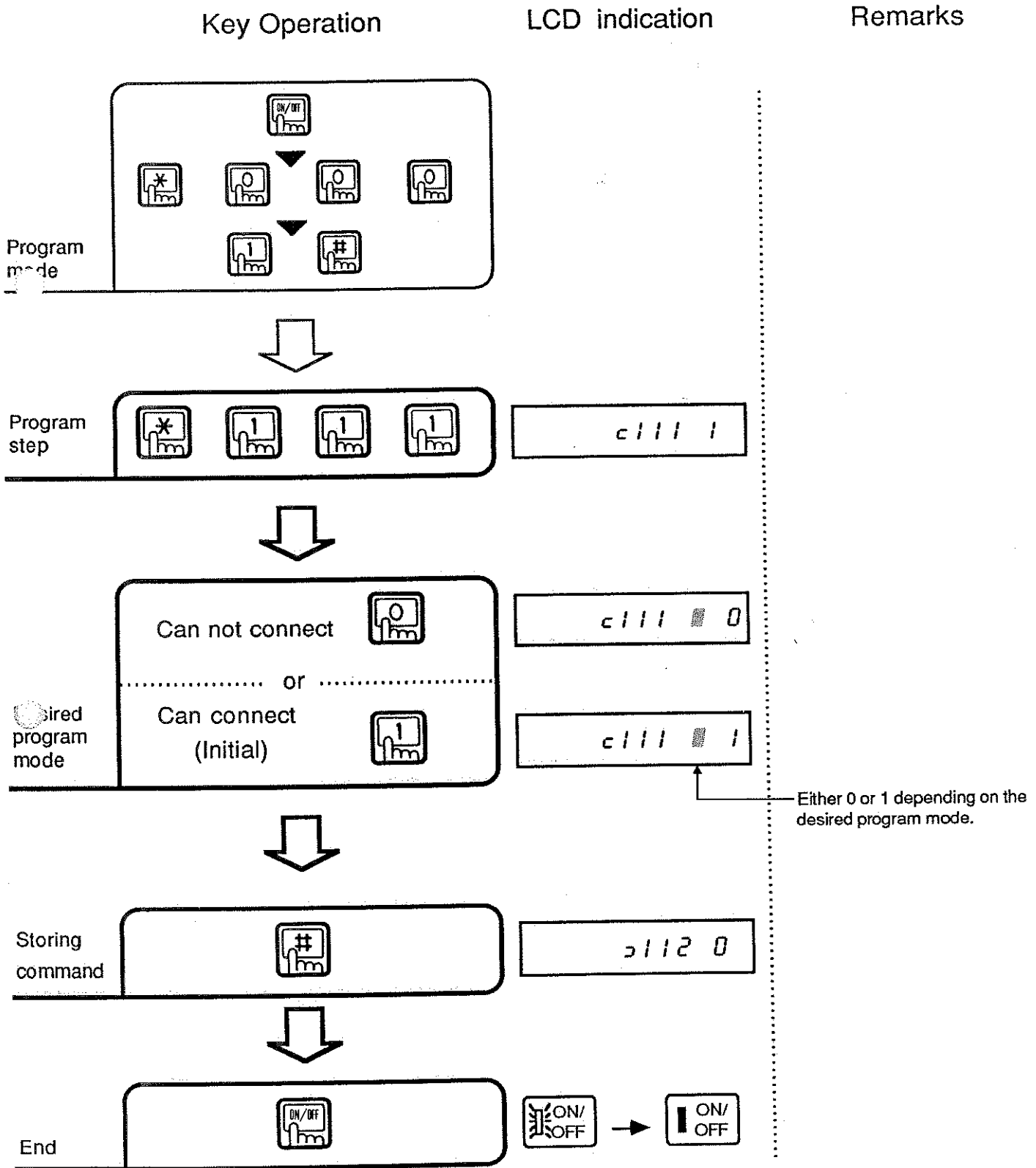
Hold Recall

You can set a telephone so that a warning tone sounds once a certain period has elapsed after a call has been put on hold. Hold recall can be disabled, or set for immediately, 30 seconds, 1 minute, 2 minutes or 3 minutes.



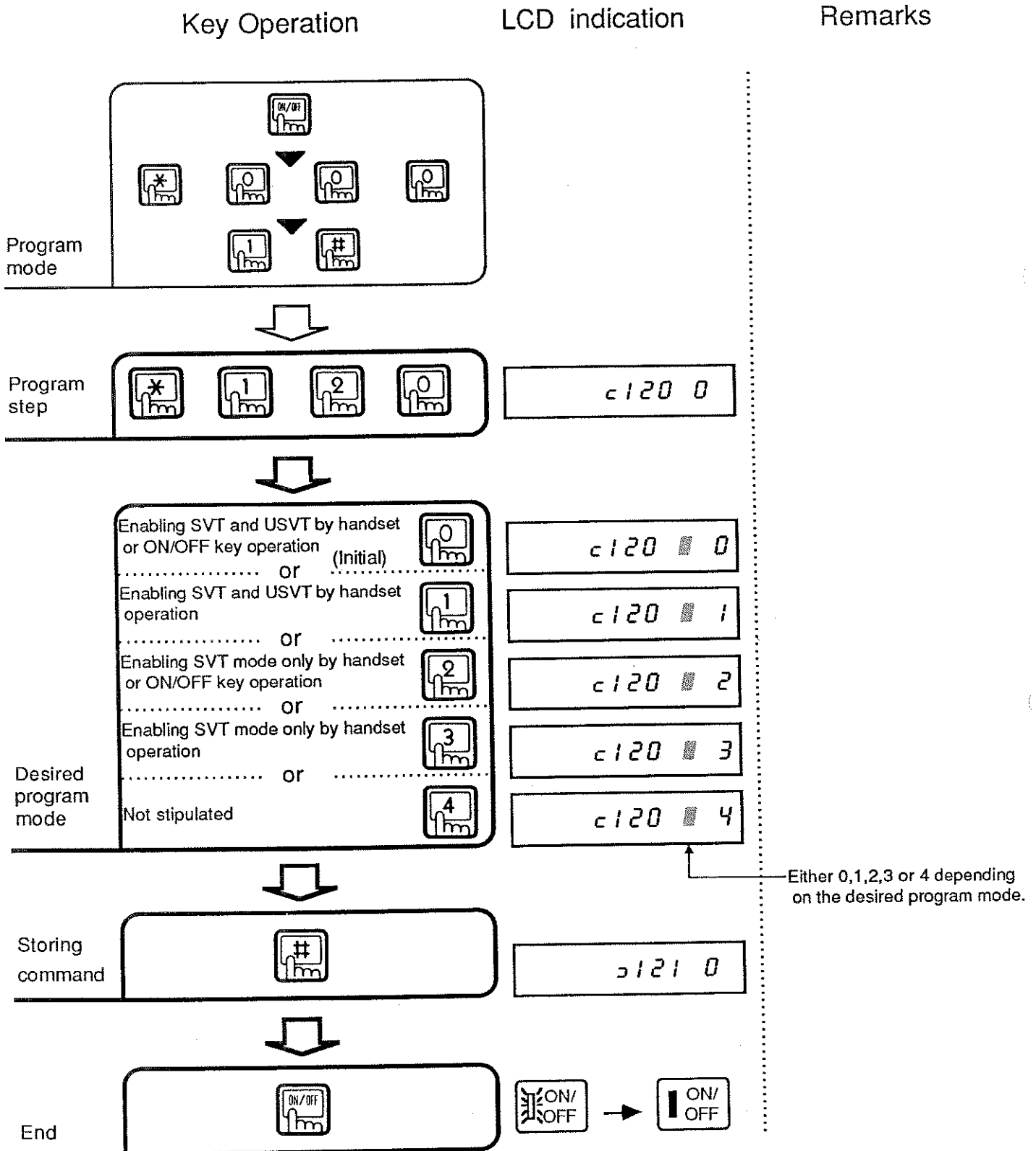
Connection of Doorphone

Up to two doorphones can be used with this system by connecting the doorphone card to main unit. You can set it so that the signal from the doorphone is heard or not heard through a telephone which has been programmed in advance. You do not have to change the programming if doorphone is not connected.



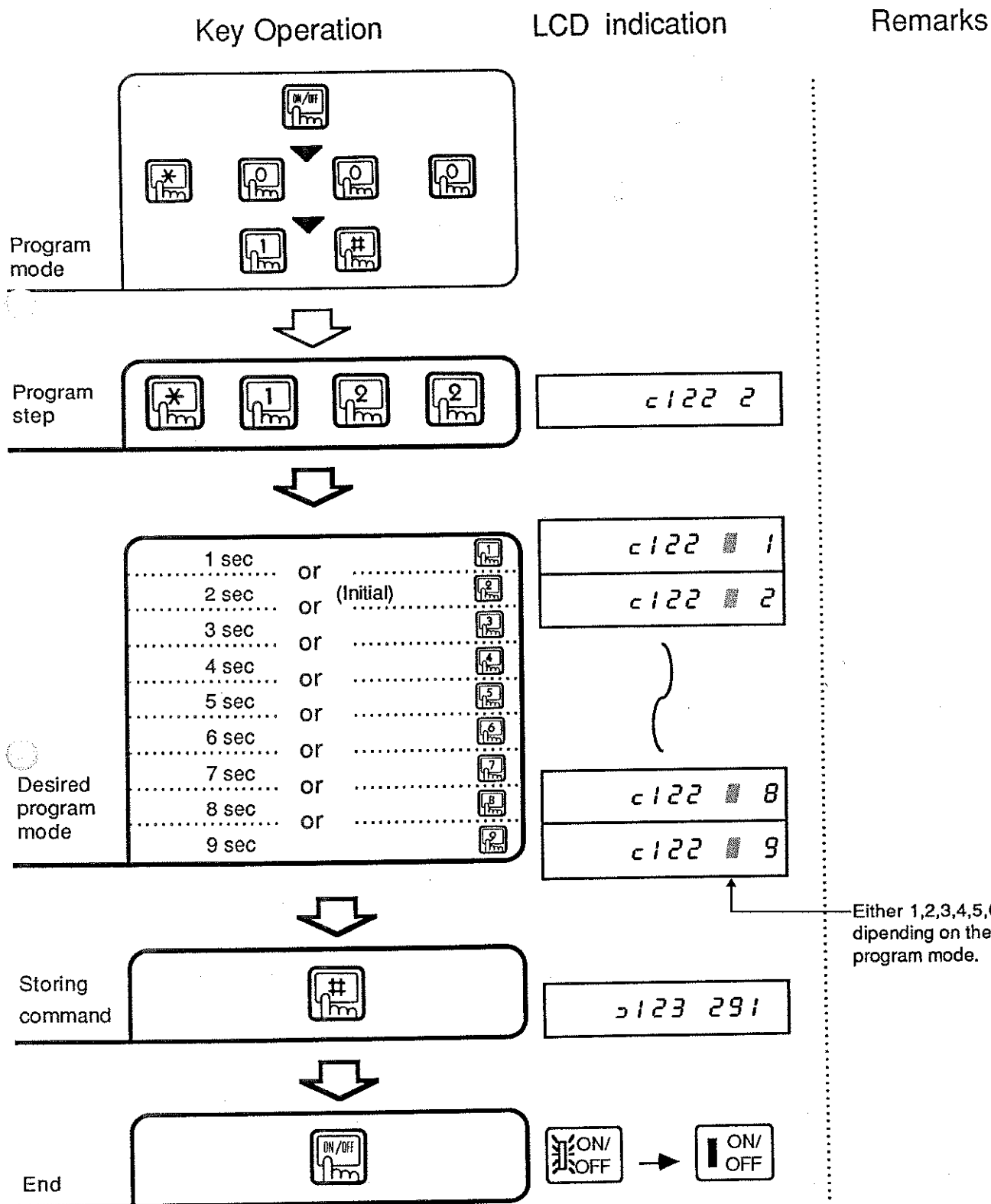
Transfer mode

When transmitting on-hook using the telephone, it is possible to specify the on-hook operation and transmission mode. When setting, you should specify whether or not to enable supervised transfer(SVT) by the handset or ON/OFF key on-hook operation, or unsupervised transfer(USVT).



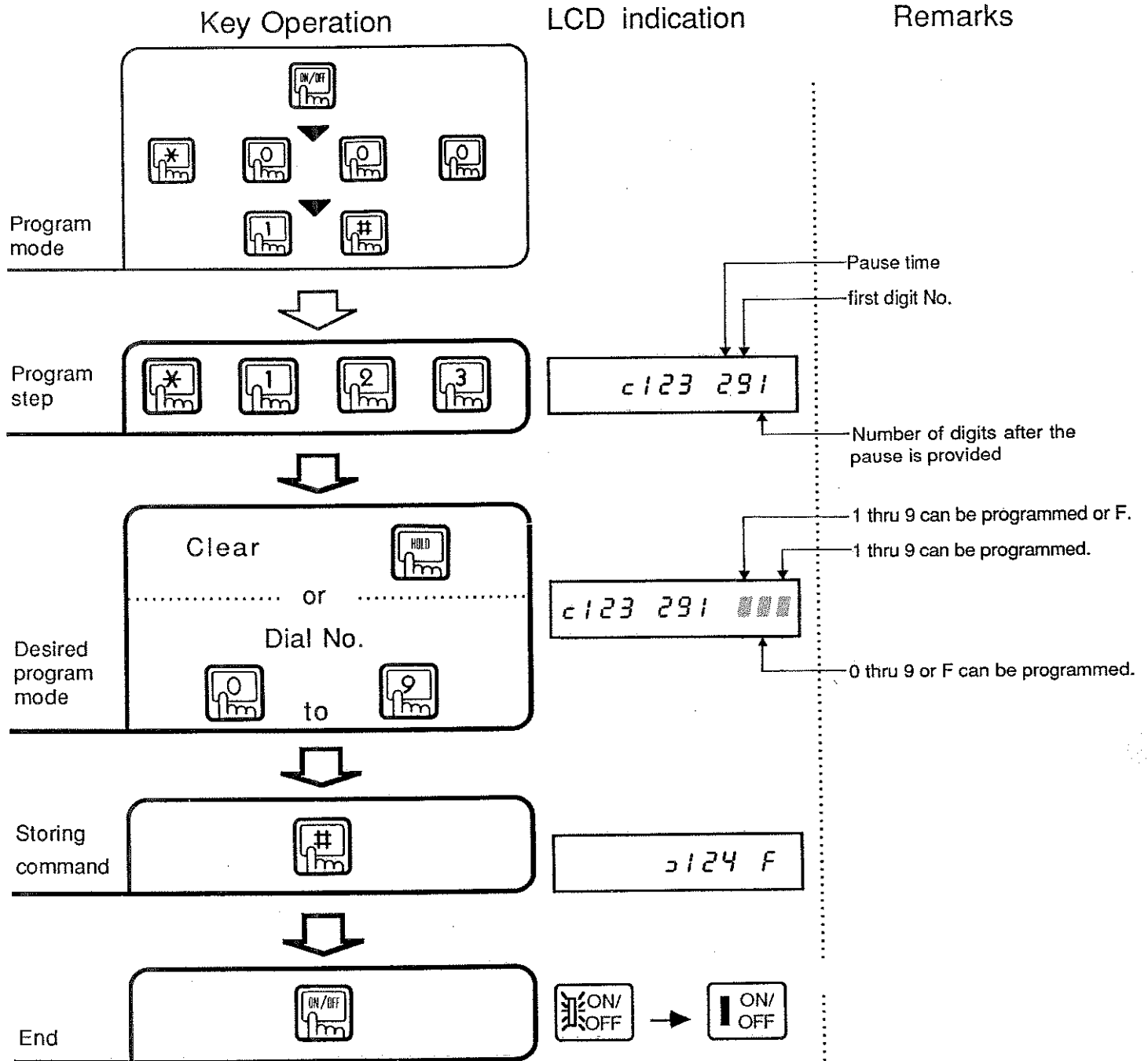
Automatic Pause (Redial key)

When a pause has been set during speed dial storing, it is possible to specify the pause time. Specify within 1 sec to 9 sec.



Automatic pause for PBX

When making an outside call through PBX, it is possible to insert a pause automatically after the last digit of the number to be dialled (PBX access). Specify respectively the first digit of the number to be dialled (PBX access), pause time (1 sec to 9 sec), and number of digits to be dialled.

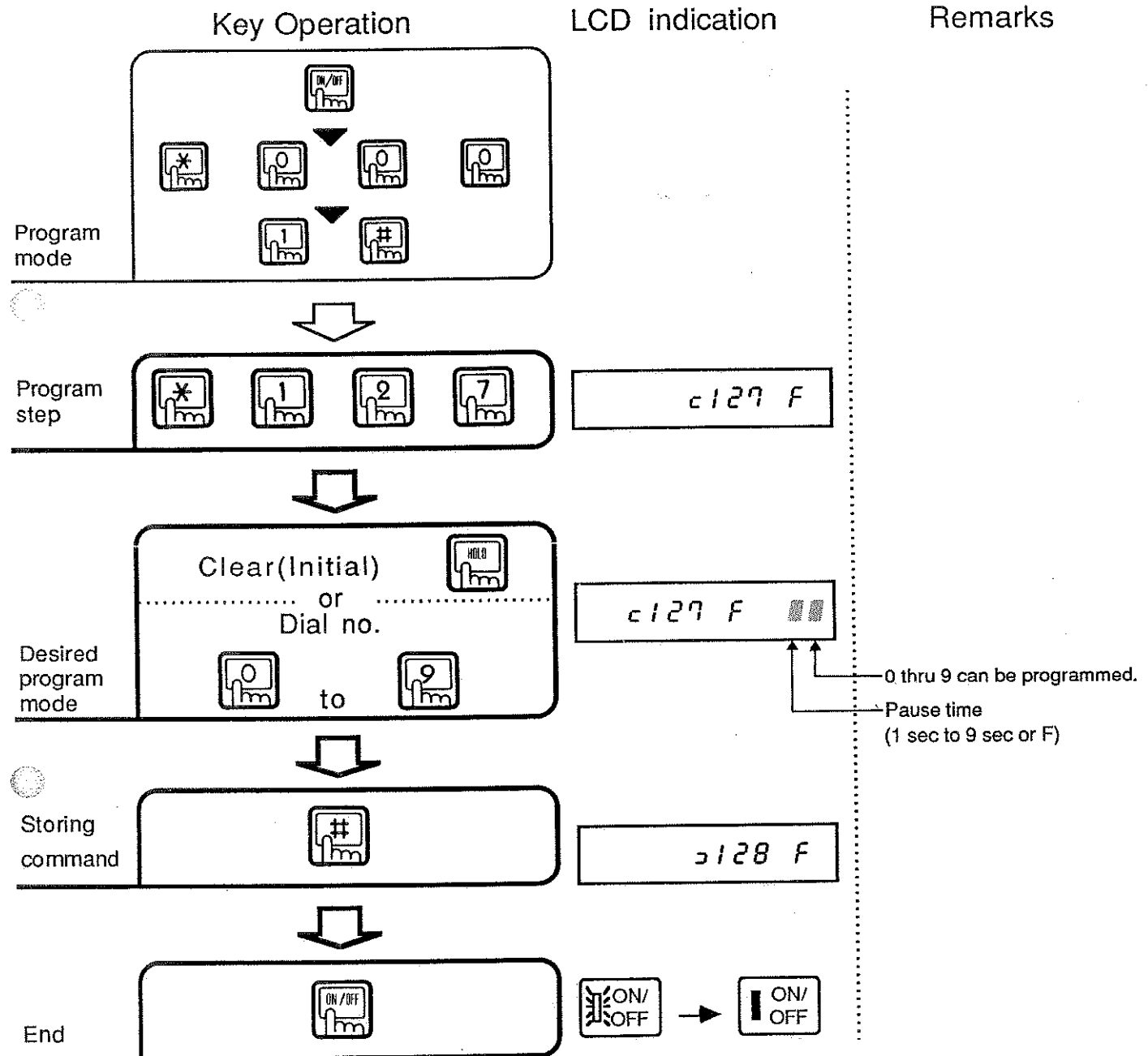


These program steps are made for each programmed dial.

programmed No.	program step	LCD indication	programmed No.	program step	LCD indication
1	* 1 2 3	c123 291	3	* 1 2 5	c125 F
2	* 1 2 4	c124 F	4	* 1 2 6	c126 F

Automatic Pause

When making an outside call, it is possible to insert a pause automatically after the specified number to be dialled. Specify respectively the dialling number(Max. 16 digits) before the inserted pause and the pause time(1 sec to 9 sec).



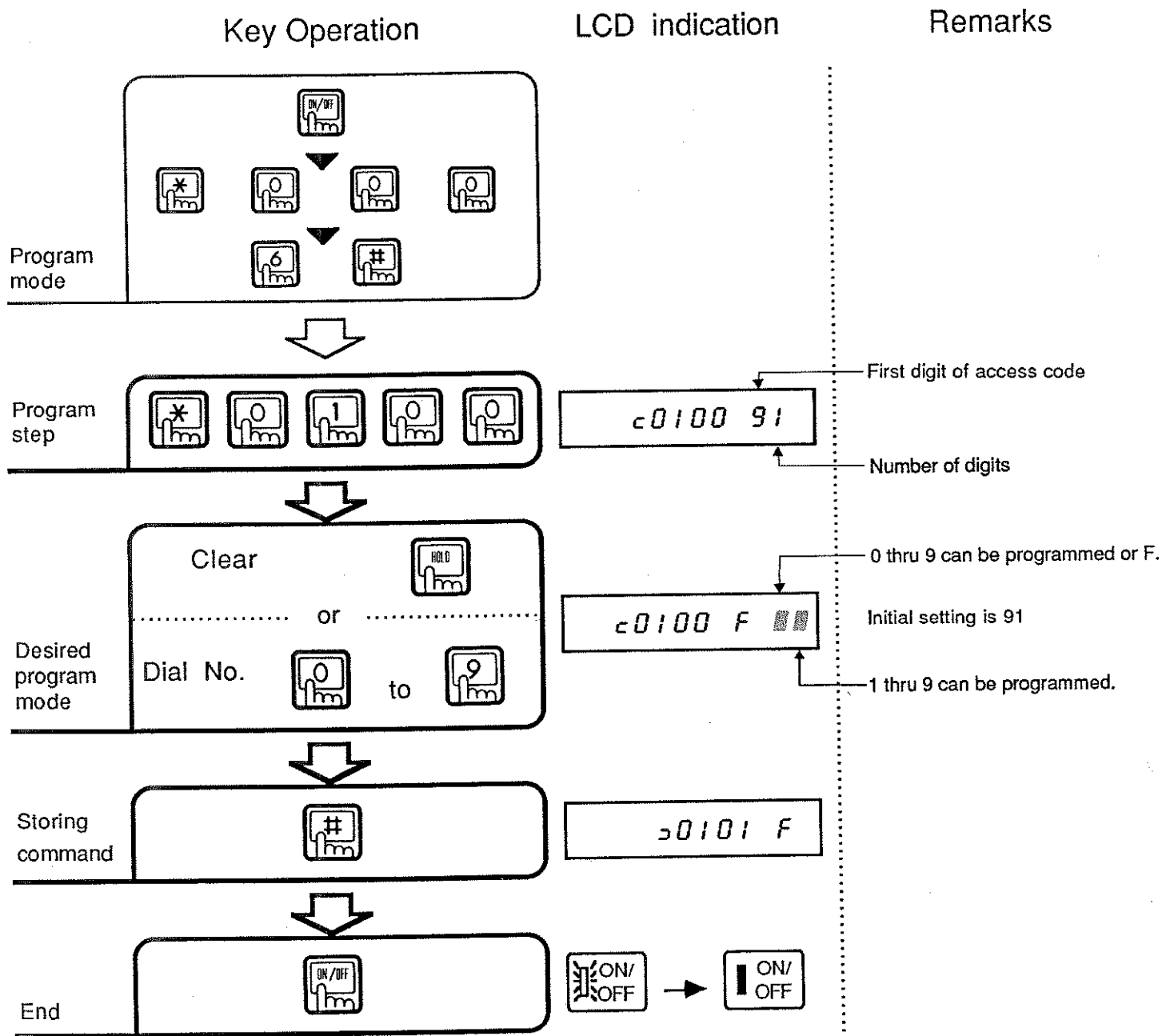
These program steps are made for each programmed dial.

programmed No.	program step	LCD indication
1	* 1 2 7	c127 F
2	* 1 2 8	c128 F
3	* 1 2 9	c129 F
4	* 1 3 0	c130 F

programmed No.	program step	LCD indication
5	* 1 3 1	c131 F
6	* 1 3 2	c132 F
7	* 1 3 3	c133 F
8	* 1 3 4	c134 F

PBX outside dialling digit

You can have access to an outside line through PBX. This feature is necessary when the system is connected to PBX. Four settings are possible, according to the PBX outside line access number (dialled first) and the length of the number.

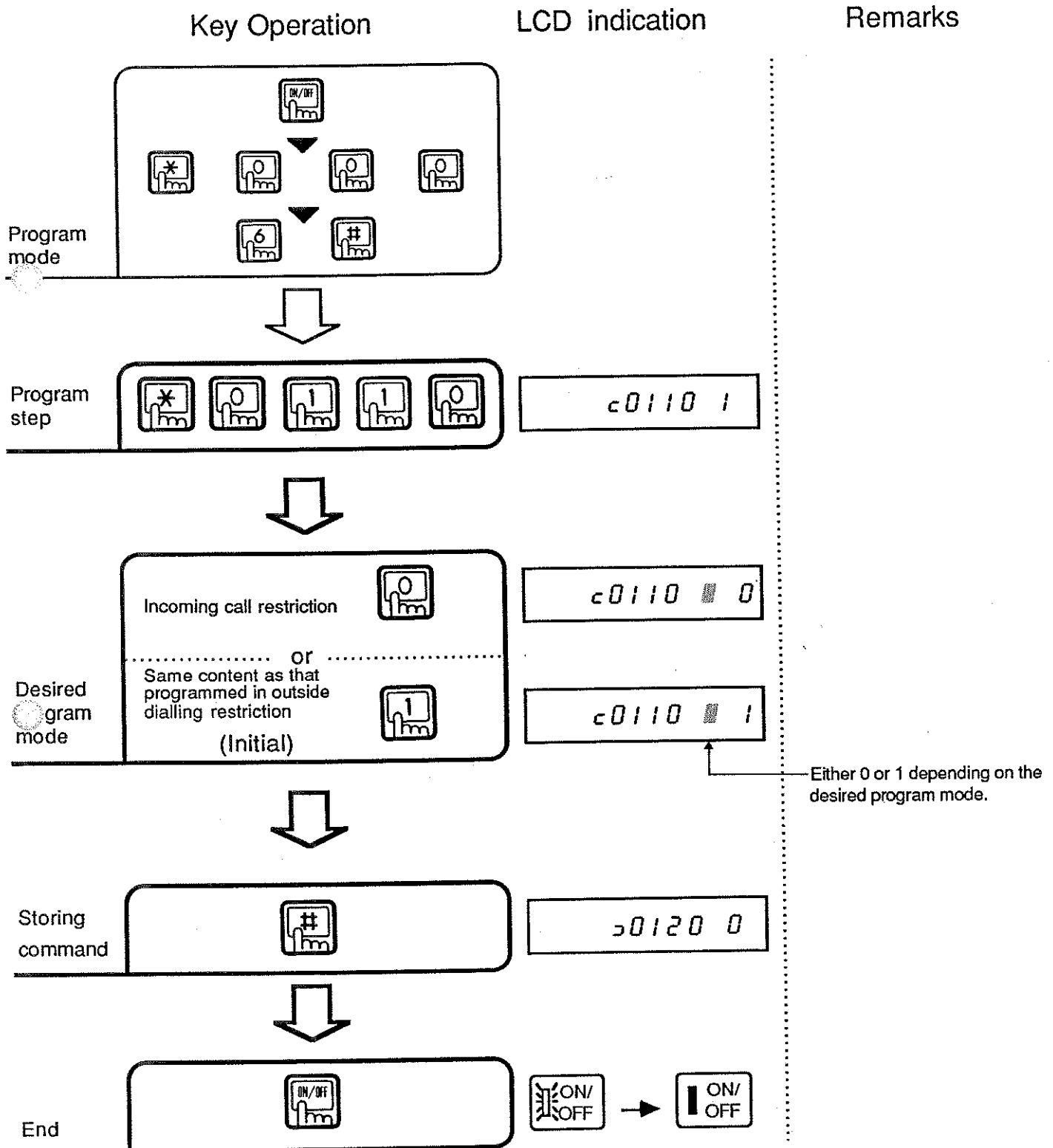


These program steps are made for each programmed dial.

Programmed dial No.	Programmed step	LCD indication	Programmed dial No.	Programmed step	LCD indication
1	* 0 1 0 0	c0100 91	3	* 0 1 0 2	c0102 F
2	* 0 1 0 1	c0101 F	4	* 0 1 0 3	c0103 F

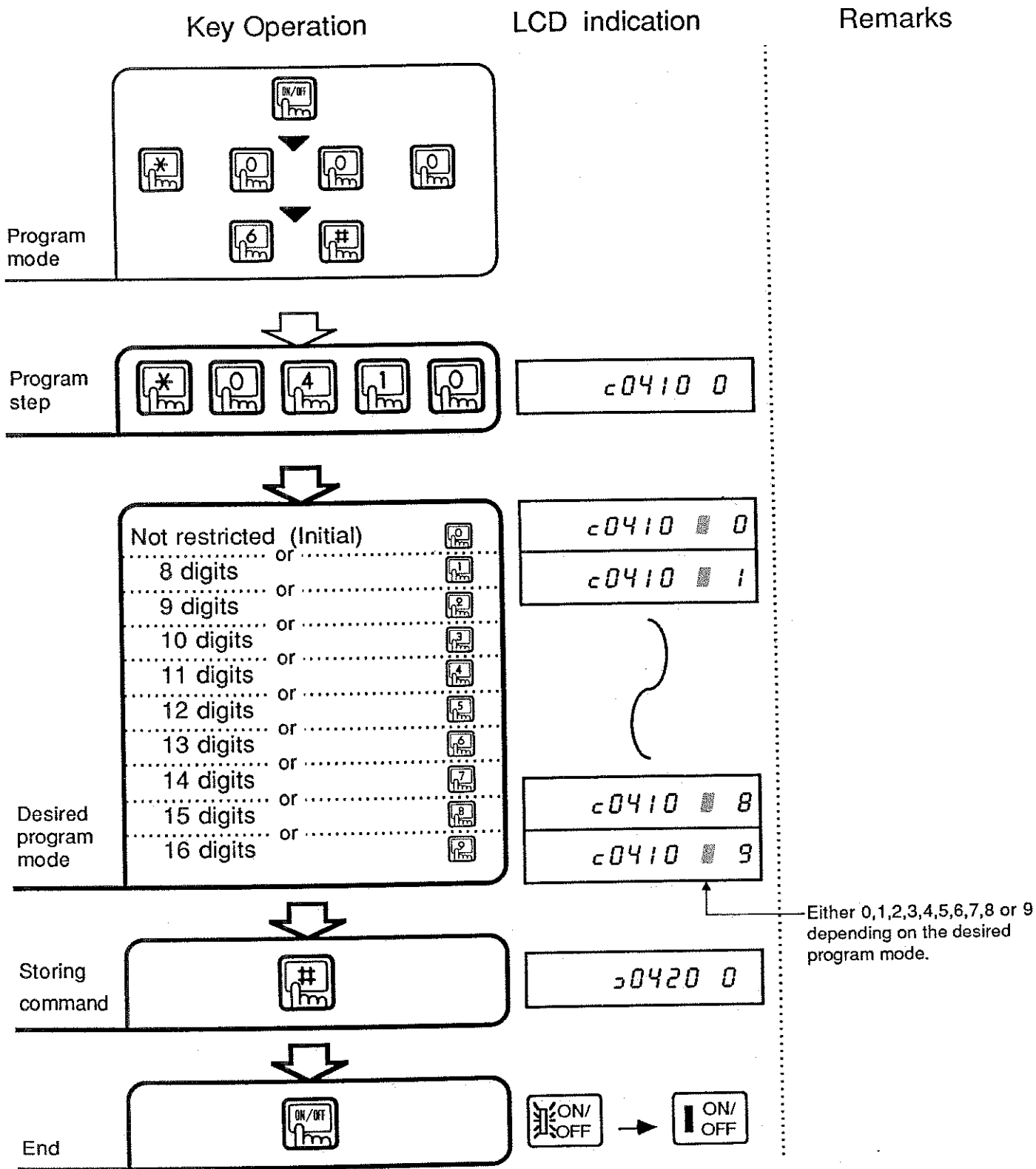
Incoming call restriction

As with the call barring (class of service), you can also restrict outside calls being made on outside lines on which incoming calls are received. The setting specifies whether it is in accordance with the outside dialling restriction class or whether outside calls are possible.



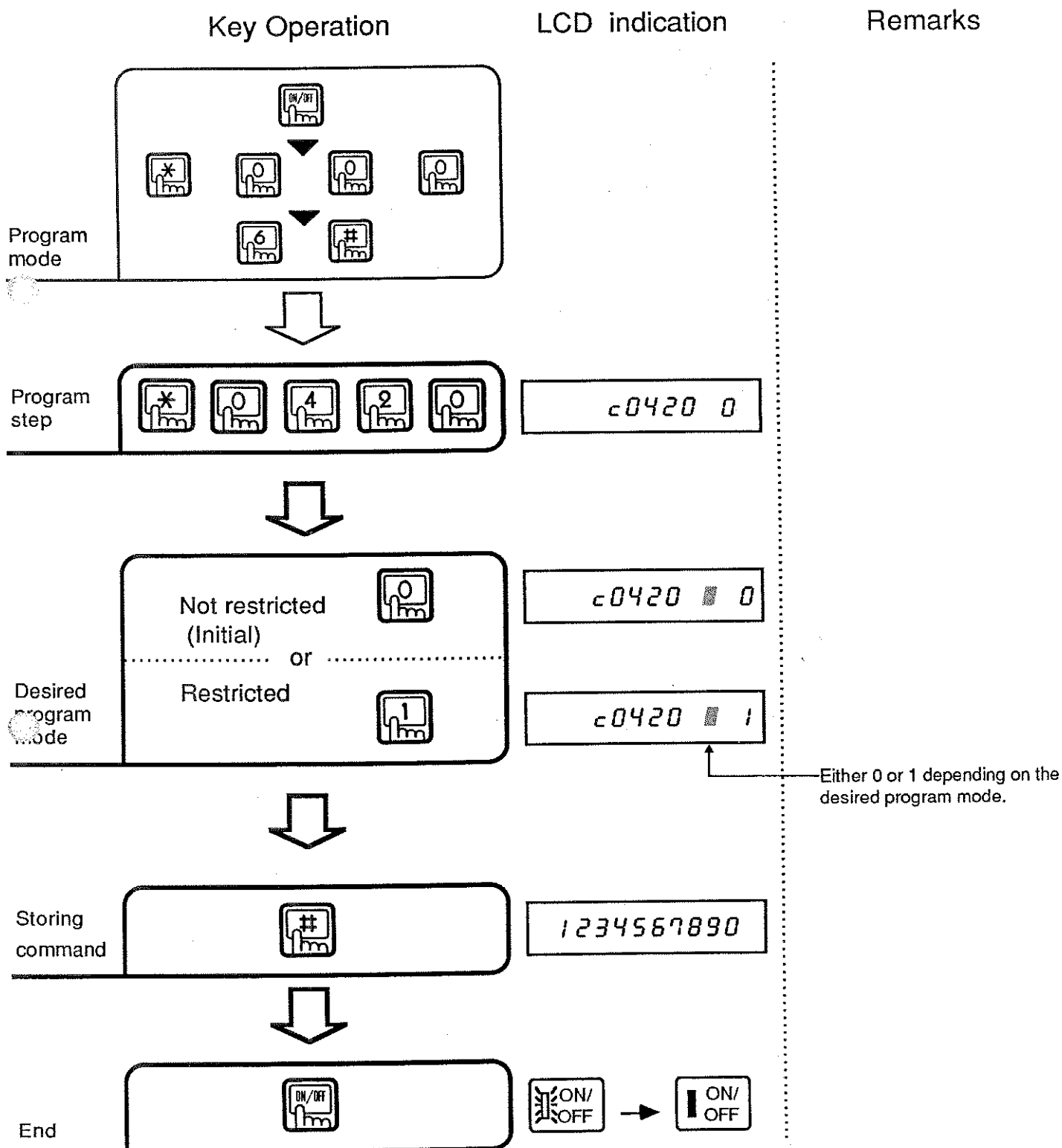
Digit length restriction

In case of call barring (class of service) class 2, you can also restrict outside calls by the number of digits. The setting specifies the number of digits to be restricted.



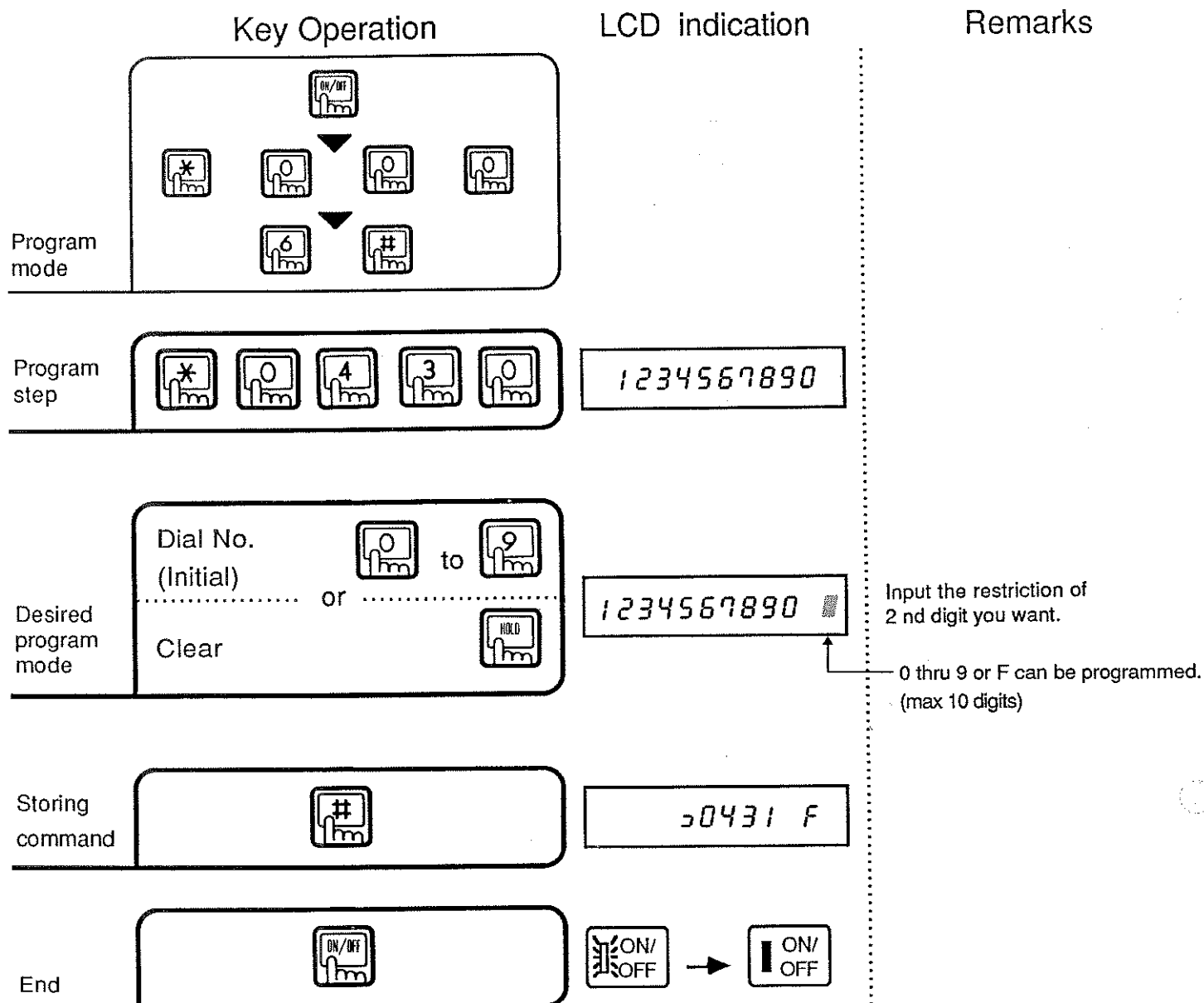
* and # restriction

In case of call barring (class of service) class 2, calls can be restricted by inputting the * or # key while dialling an outside line. The setting specifies whether is to be a restriction or not.



2 digits restriction

In addition to the call barring (class of service) of class 2, it is also possible to restrict the first two dialled digits of outside calls. Ten kinds of settings are possible for restriction of ten varieties of 2 digits numbers.



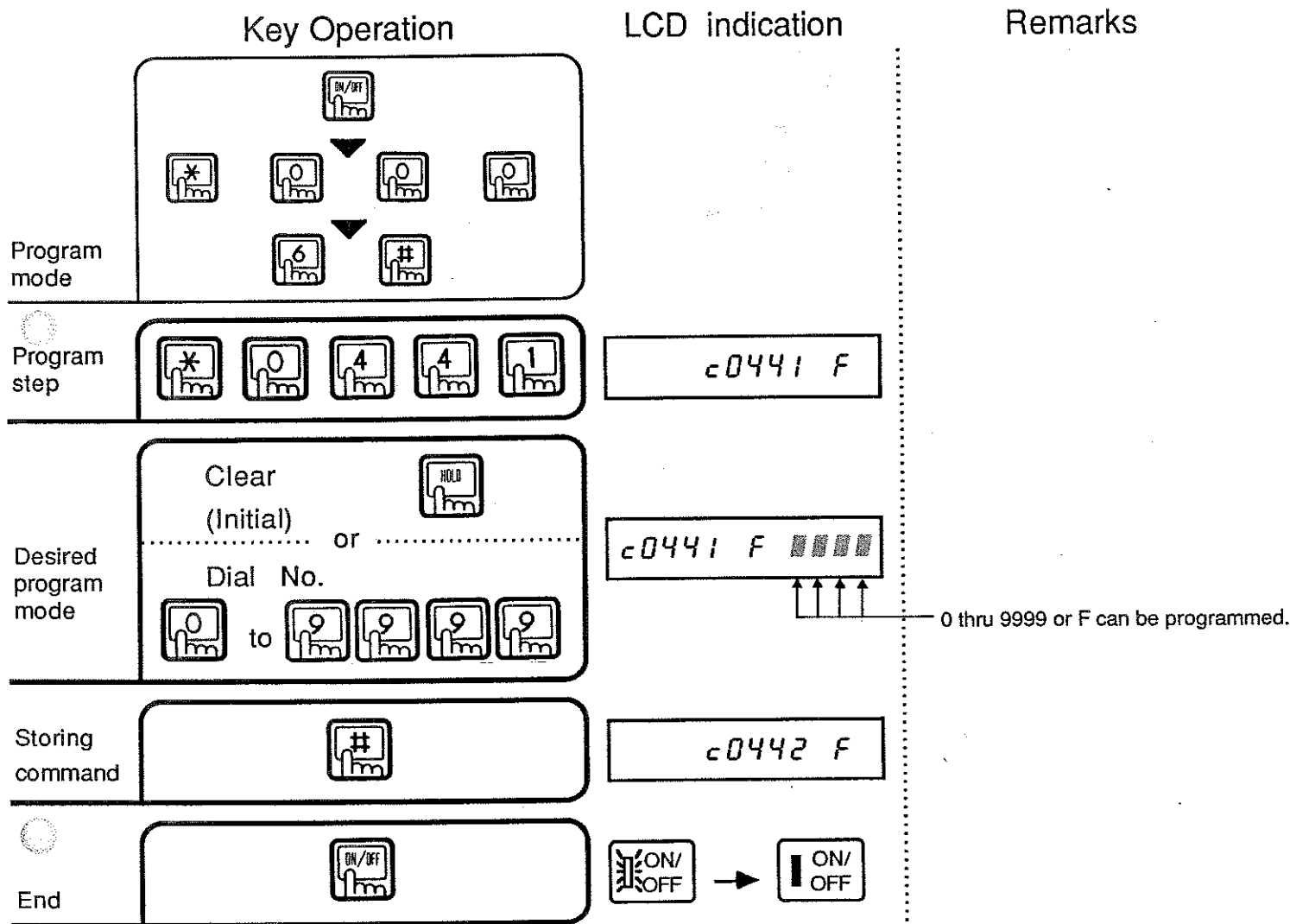
These program steps are made for each programmed dial. is the restriction of 1 st digit.

Programmed dial No.	Program step	LCD indication	Programmed dial No.	Program step	LCD indication
1	* 0 4 3 0	1234567890	6	* 0 4 3 5	c0435 F
2	* 0 4 3 1	c0431 F	7	* 0 4 3 6	c0436 F
3	* 0 4 3 2	c0432 F	8	* 0 4 3 7	c0437 F
4	* 0 4 3 3	c0433 F	9	* 0 4 3 8	c0438 F
5	* 0 4 3 4	c0434 F	10	* 0 4 3 9	c0439 F

4 digits restriction override

It is possible to restrict calls with dial numbers of 1 to 4 digits for outside calls by adding them to the details for call barring (class of service) class 2 and 3.

You can specify the dial number you wish to be restricted by 1 to 4 digits in 8 types and 2 ways (1 to 4 digits restrictions I and II). The details specified by 1 to 4 digits restriction I is added to class 2, and the details specified by 1 to 4 restriction II is added to class 3.

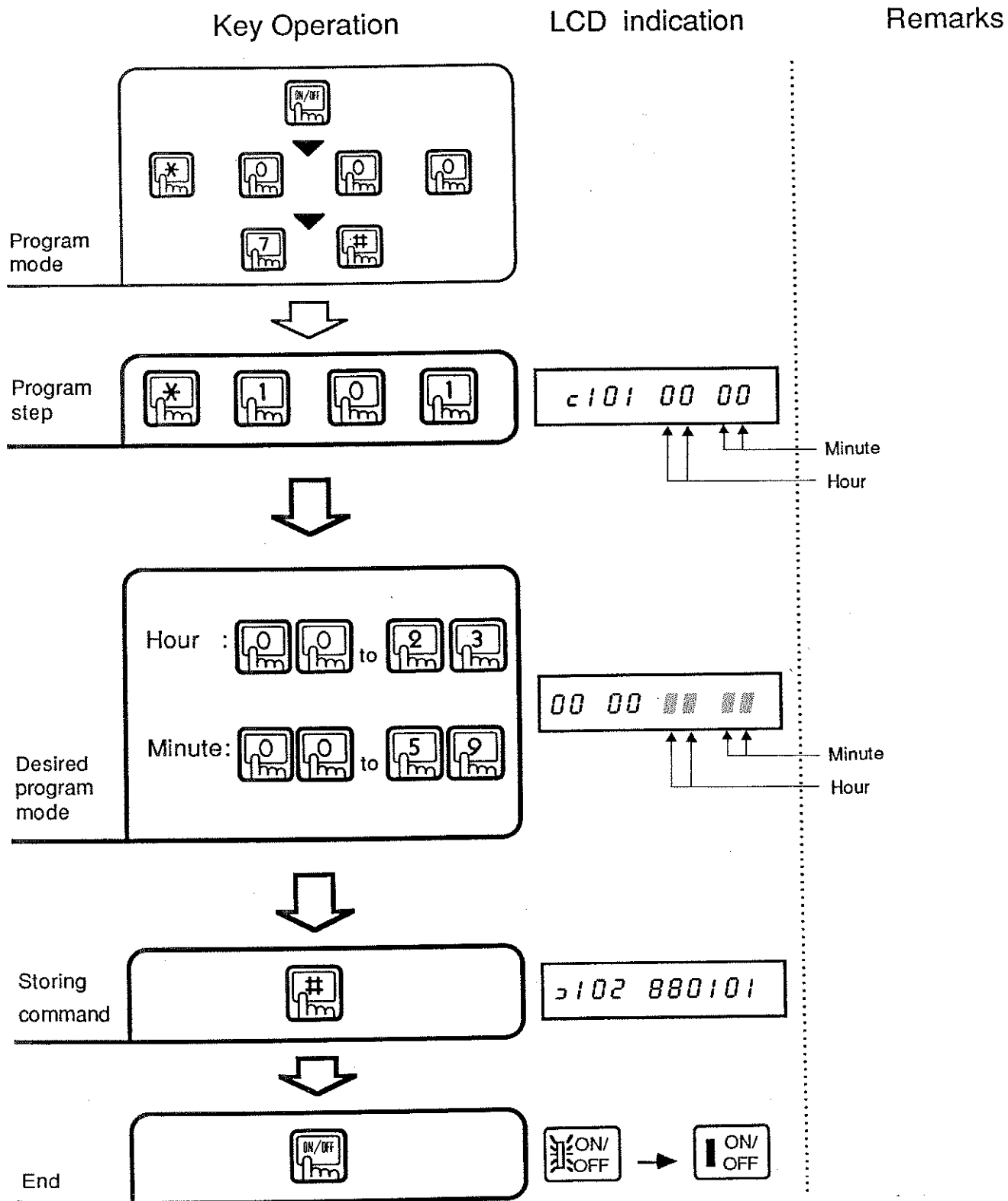


These program steps are for each programmed dial.

< 1 to 4 digits restriction I > Class 2			< 1 to 4 digits restriction II > Class 3		
Programmed dial No.	Program step	LCD indication	Programmed dial No.	Program step	LCD indication
1	* 0 4 4 1	c0441 F	9	* 0 4 5 1	c0451 F
2	* 0 4 4 2	c0442 F	10	* 0 4 5 2	c0452 F
3	* 0 4 4 3	c0443 F	11	* 0 4 5 3	c0453 F
4	* 0 4 4 4	c0444 F	12	* 0 4 5 4	c0454 F
5	* 0 4 4 5	c0445 F	13	* 0 4 5 5	c0455 F
6	* 0 4 4 6	c0446 F	14	* 0 4 5 6	c0456 F
7	* 0 4 4 7	c0447 F	15	* 0 4 5 7	c0457 F
8	* 0 4 4 8	c0448 F	16	* 0 4 5 8	c0458 F

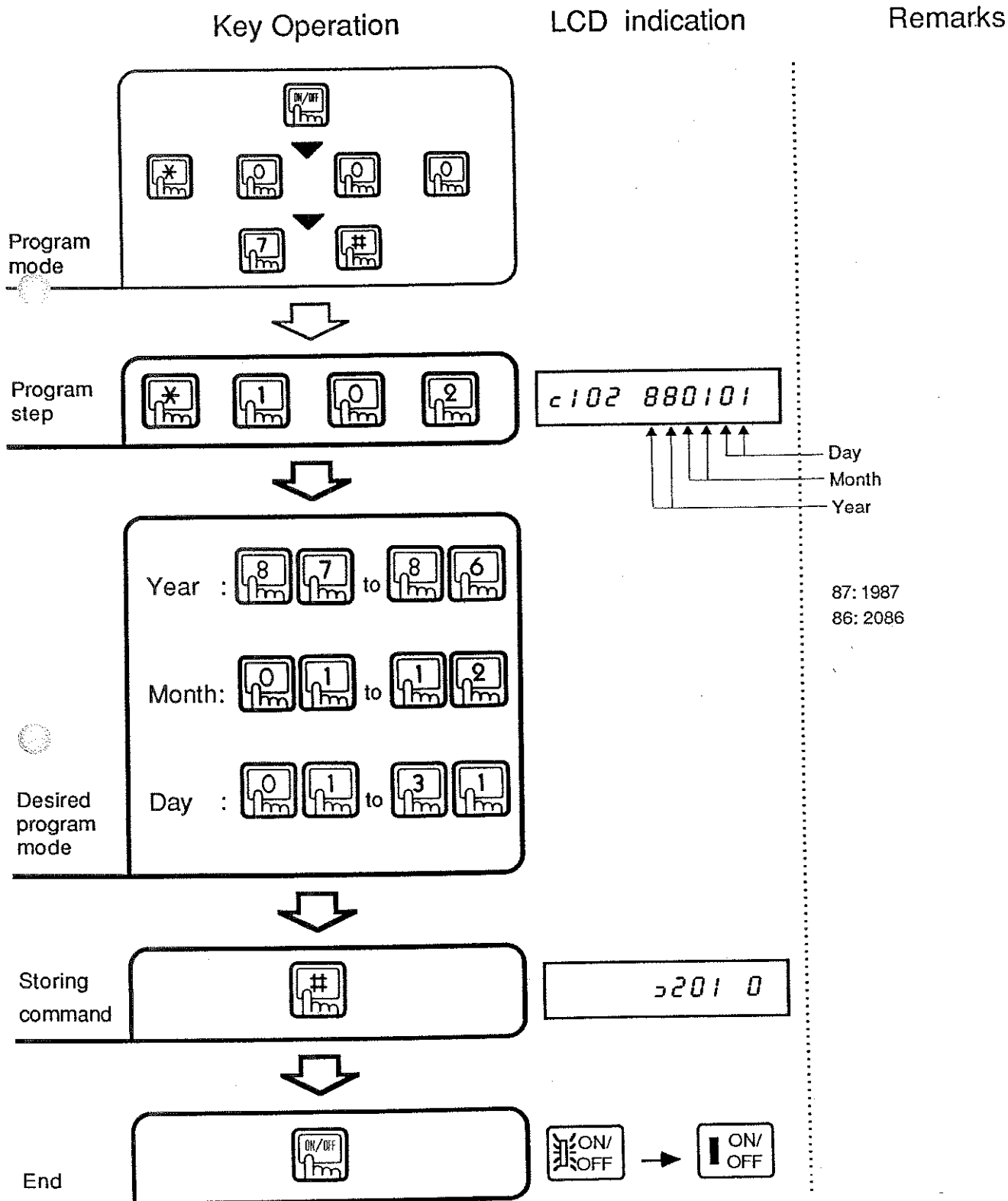
Display time system setting

This feature is for setting the correct time for a key telephone with an LCD display.



Date setting

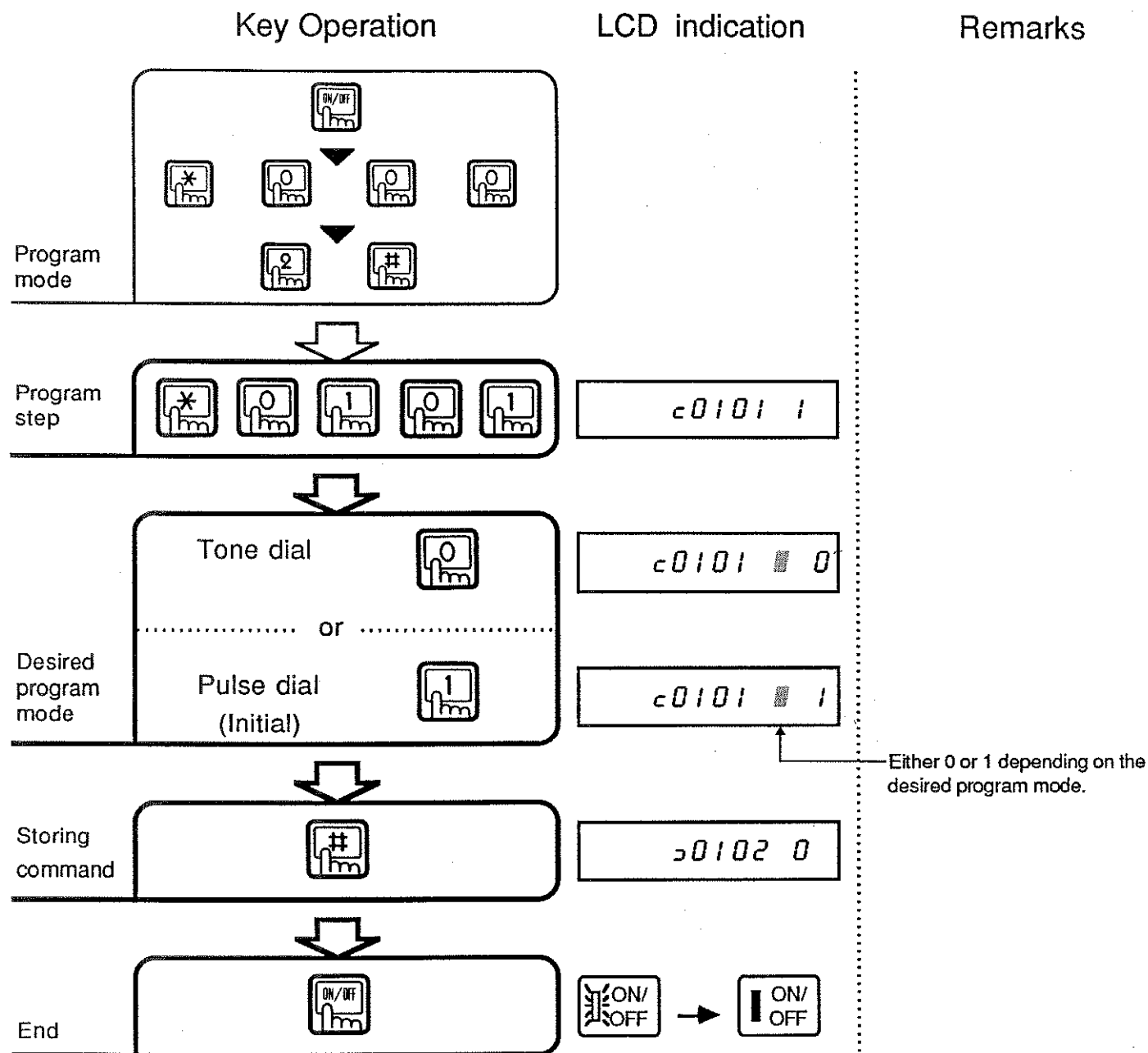
Telephones equipped with displays can show the date.
Two digits each are used to enter the year, month and day, respectively.



Exchange Line setting

Tone/pulse dialling signal conversion

For outside calls, you can send out either by tone or pulse signal. This has to be matched with the dialling method for outside calls connected to the system.

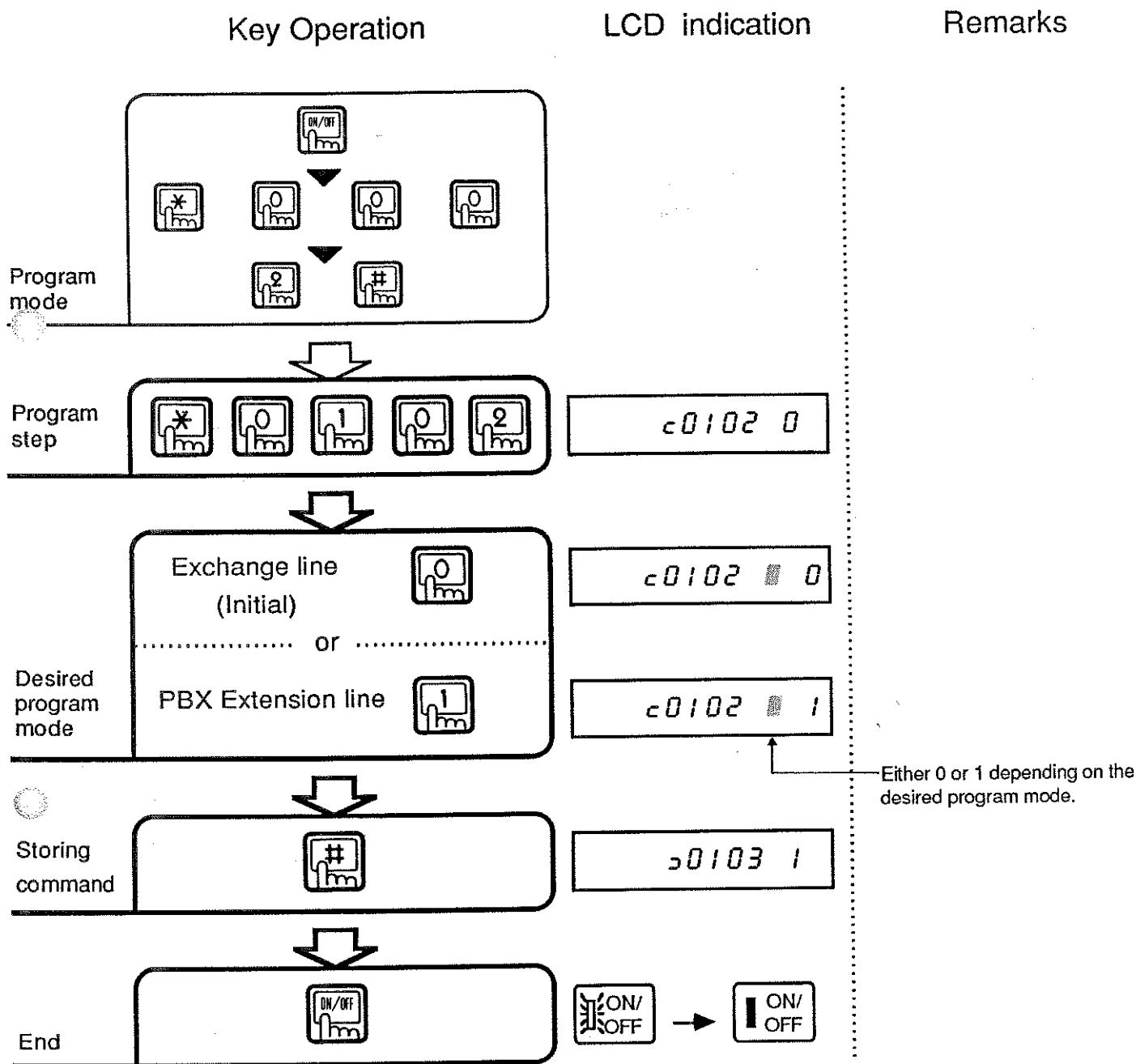


These program steps are made for each telephone liine(Exchange Line).

Exchange Line	Program step	LCD indication
1	* 0 1 0 1	c0101 1
2	* 0 2 0 1	c0201 1
3	* 0 3 0 1	c0301 1

Exchange line or PBX line

If the system is connected behind a PBX, This programming is required.
This programming is for auto pause and toll restriction setting.

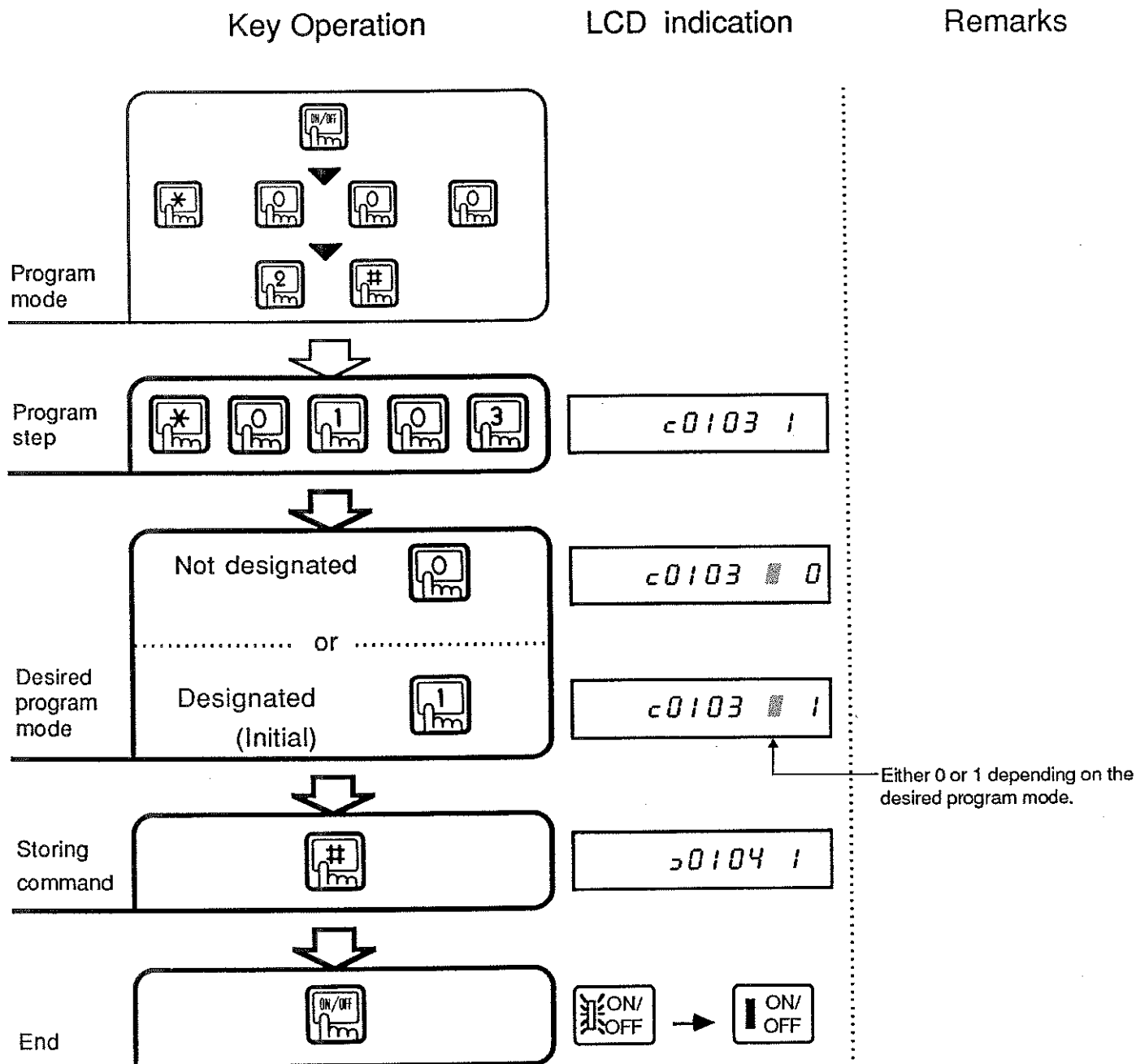


These program steps are made for each telephone line(Exchange Line).

Exchange Line	Program step	LCD indication
1	* 0 1 0 2	c0102 0
2	* 0 2 0 2	c0202 0
3	* 0 3 0 2	c0302 0

Automatic outside line selection group

You can have an outside line which is connected automatically from SLT.
 This outside line being not used can be selected automatically by pressing dial key 9.
 This will be set whether the outside line is automatically selected or not.
 This feature can be also used by the key telephone.

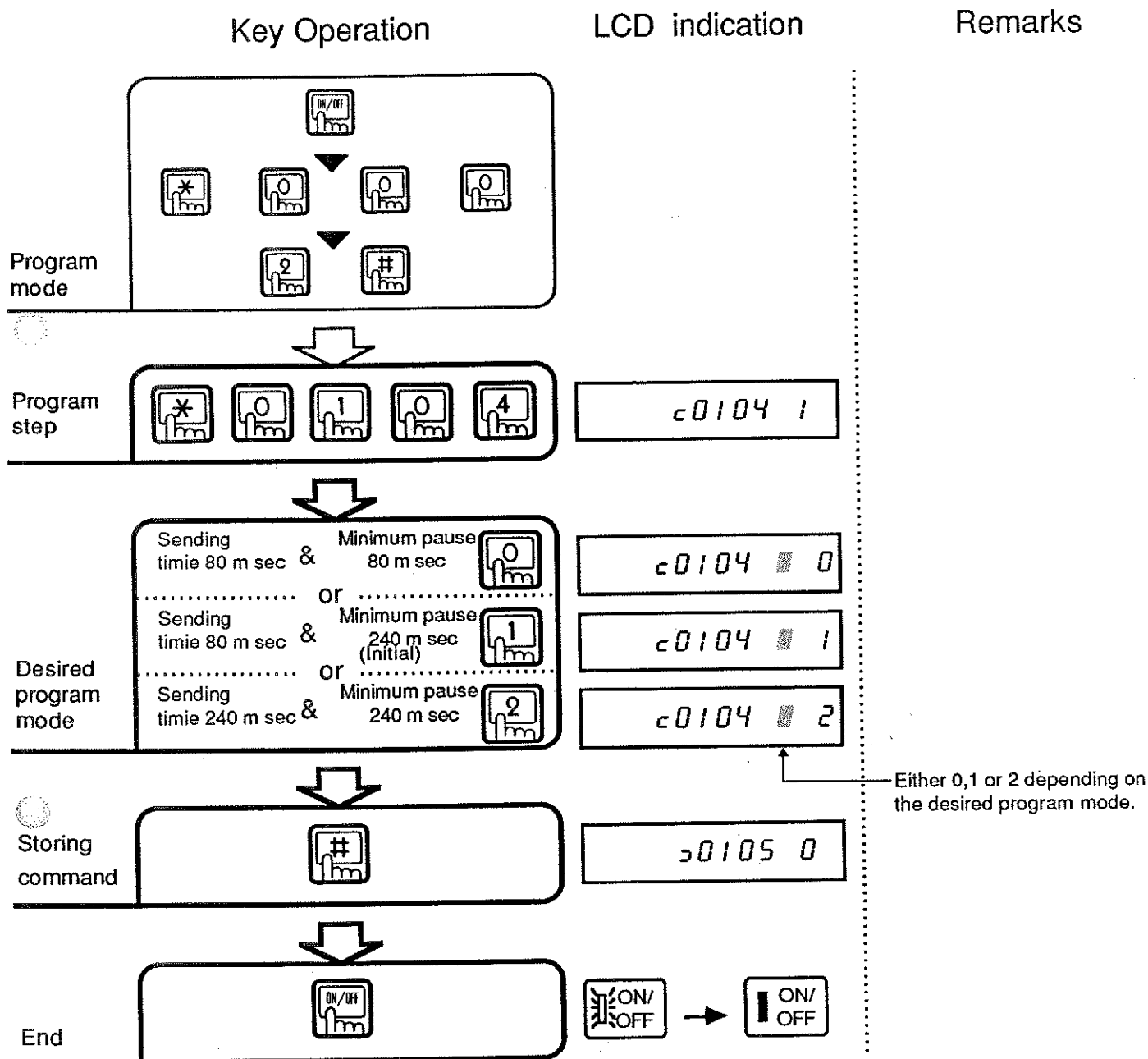


These program steps are made for each telephone line(Exchange Line).

Exchange Line	Program step	LCD indication
1	* 0 1 0 3	<code>c0103 1</code>
2	* 0 2 0 3	<code>c0203 1</code>
3	* 0 3 0 3	<code>c0303 1</code>

Sending time of DTMF signals

It is possible to set both the tone dialling signal sending time and minimum pause. The initial default is 80 m sec for sending time and 240 m sec for minimum pause. Change this if dialling is not possible with the default setting.

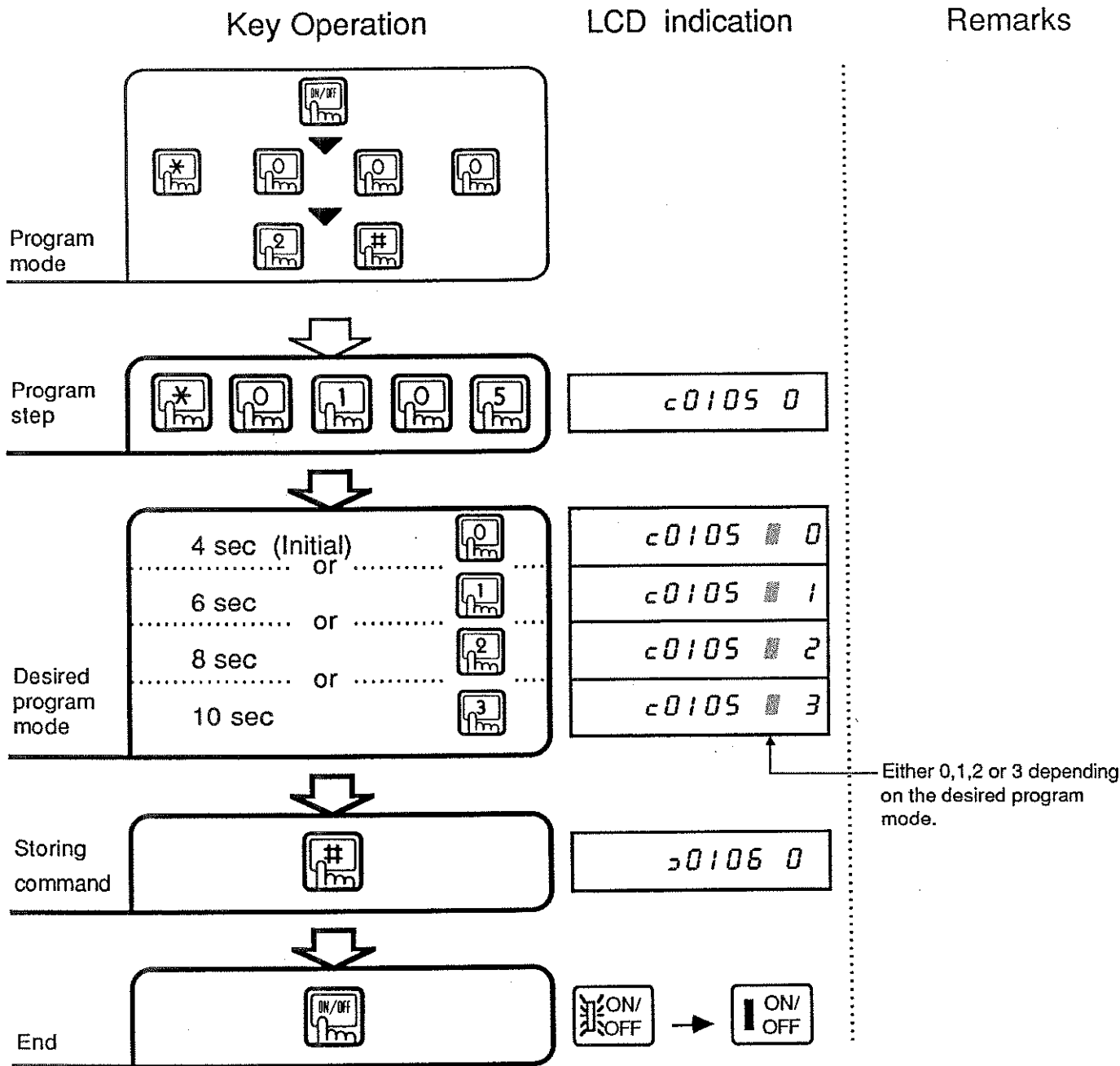


These program steps are made for each telephone line(Exchange Line).

Exchange Line	Program step	LCD indication
1	* 0 1 0 4	c0104 1
2	* 0 2 0 4	c0204 1
3	* 0 3 0 4	c0304 1

Detection time of Ringing signal

If you have a problem of incoming ring signal like that the first ring is normal but second does not ring.

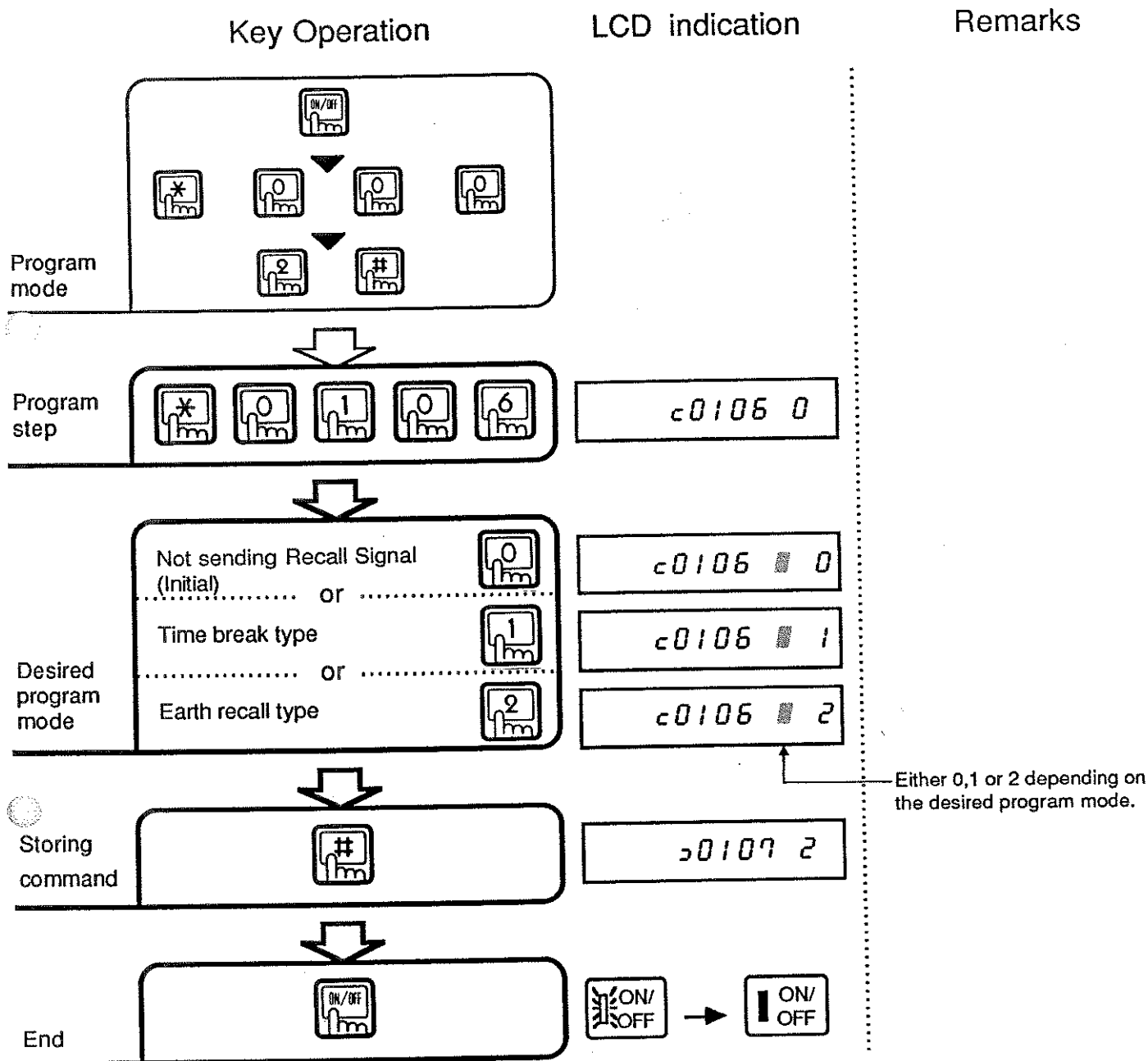


These program steps are made for each telephone line(Exchange Line).

Exchange Line	Program step	LCD indication
1	* 0 1 0 5	c0105 0
2	* 0 2 0 5	c0205 0
3	* 0 3 0 5	c0305 0

Recall signal type

It is possible to set the recall signal type.
 This is used for call forwarding to PBX extension line.
 Set to either the time break type or the earth recall type, according to the requirements of the particular PBX.

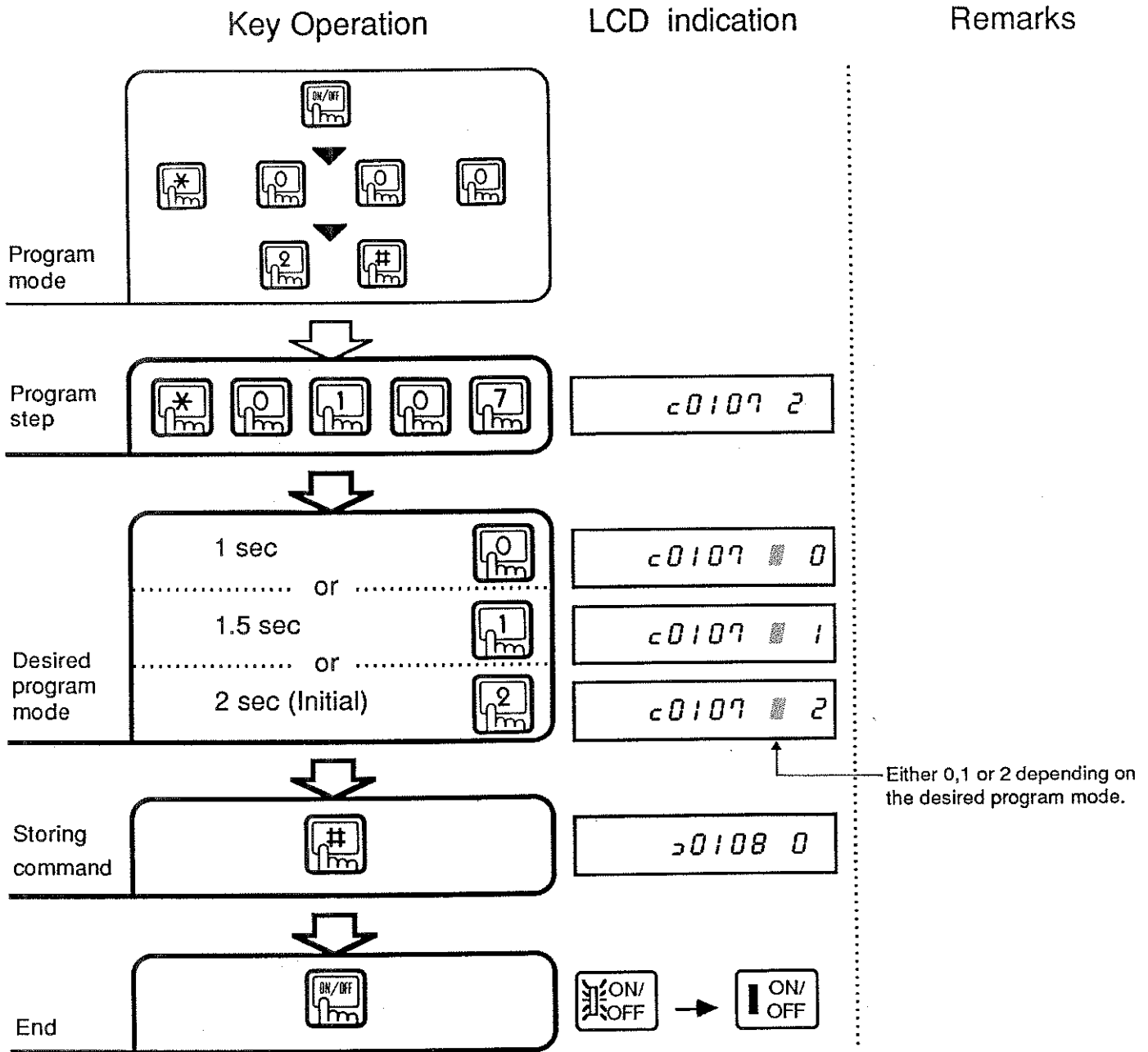


These program steps are made for each telephone line(Exchange Line).

Exchange Line	Program step	LCD indication
1	* 0 1 0 6	c0106 0
2	* 0 2 0 6	c0206 0
3	* 0 3 0 6	c0306 0

Earth recall time

It is possible to set the earth recall time.
 This can be set to 1 second, 1.5 seconds or 2 seconds, according to the requirements of the particular PBX.

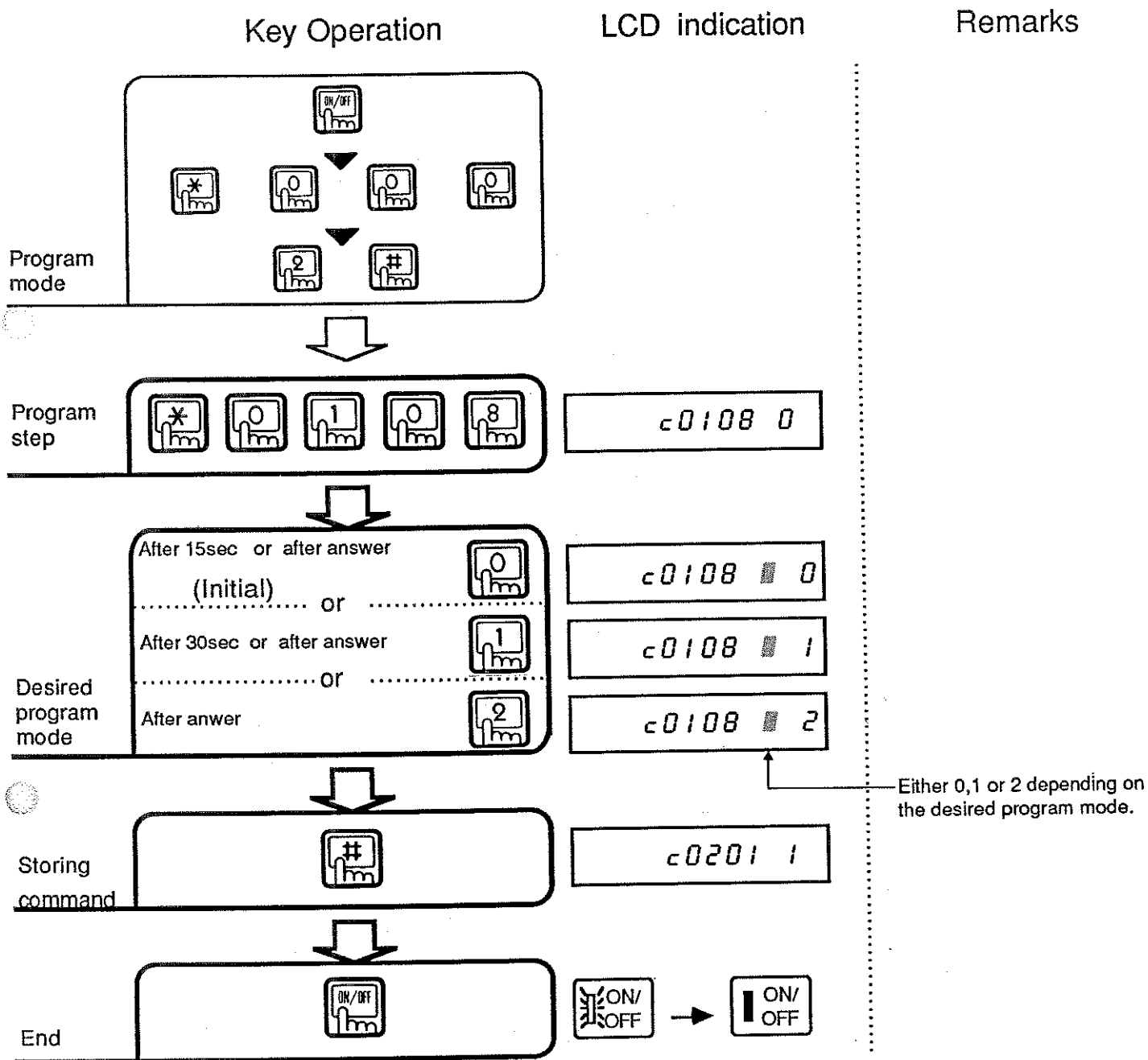


These program steps are made for each telephone line(Exchange Line).

Exchange Line	Program step	LCD indication
1	* 0 1 0 7	c0107 2
2	* 0 2 0 7	c0207 2
3	* 0 3 0 7	c0307 2

Call duration display

The telephone can show the call duration. This setting determines the elapsed time from dial generation to display appearance. Alternatively, the telephone can be set to start showing the time when the other party answer the phone.



These program steps are made for each telephone line(Exchange Line).

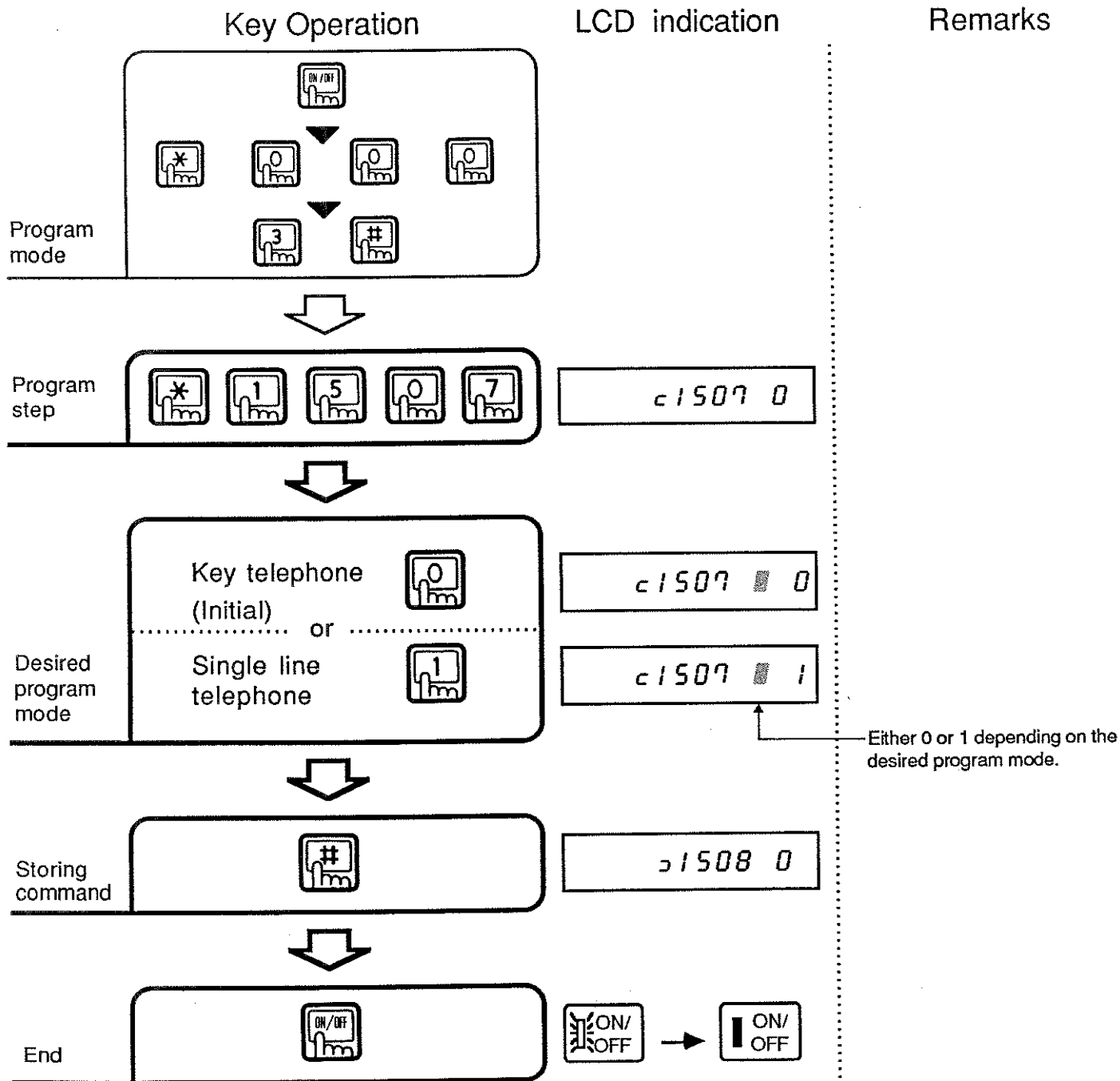
Exchange Line	Program step	LCD indication
1	* 0 1 0 8	c0108 0
2	* 0 2 0 8	c0208 0
3	* 0 3 0 8	c0308 0

Extention setting

Telephone type

You can also connect a single line telephone to the system in addition to the key telephone. The setting specifies whether it is a key telephone or single line telephone for extensions 15 to 18.

When you use single line telephones, the optional Extension card B or Extension card C is necessary to main unit.

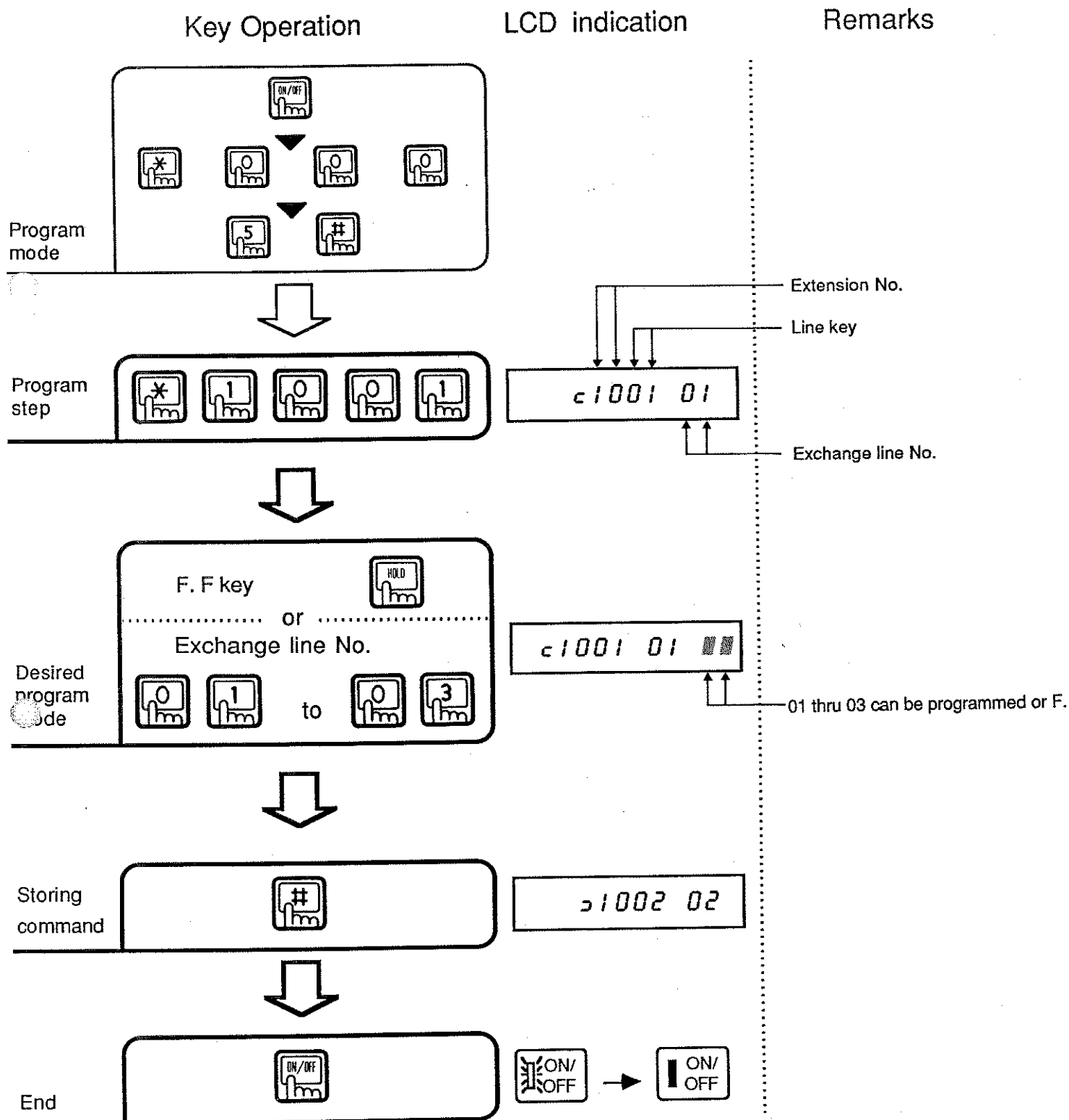


These program steps are made for each extensions.

EXT NO.	Program step	LCD indication	EXT NO.	Program step	LCD indication
15	* 1 5 0 7	c1507 0	17	* 1 7 0 7	c1707 0
16	* 1 6 0 7	c1607 0	18	* 1 8 0 7	c1807 0

Line key assign

You can set any of the line numbers from 01 to 03 on Line/FF key with two digits.



For EXT. No. 10

Line key	Program step	LCD indication
1	✕ 1 0 0 1	c1001 01
2	✕ 1 0 0 2	c1002 02
3	✕ 1 0 0 3	c1003 03
4	✕ 1 0 0 4	c1004 F
5	✕ 1 0 0 5	c1005 F
6	✕ 1 0 0 6	c1006 F
7	✕ 1 0 0 7	c1007 F
8	✕ 1 0 0 8	c1008 F
9	✕ 1 0 0 9	c1009 F
10	✕ 1 0 1 0	c1010 F
11	✕ 1 0 1 1	c1011 F
12	✕ 1 0 1 2	c1012 F

For EXT. No. 13

Line key	Program step	LCD indication
1	✕ 1 3 0 1	c1301 01
2	✕ 1 3 0 2	c1302 02
3	✕ 1 3 0 3	c1303 03
4	✕ 1 3 0 4	c1304 F
5	✕ 1 3 0 5	c1305 F
6	✕ 1 3 0 6	c1306 F
7	✕ 1 3 0 7	c1307 F
8	✕ 1 3 0 8	c1308 F
9	✕ 1 3 0 9	c1309 F
10	✕ 1 3 1 0	c1310 F
11	✕ 1 3 1 1	c1311 F
12	✕ 1 3 1 2	c1312 F

For EXT. No.11

Line key	Program step	LCD indication
1	✕ 1 1 0 1	c1101 01
2	✕ 1 1 0 2	c1102 02
3	✕ 1 1 0 3	c1103 03
4	✕ 1 1 0 4	c1104 F
5	✕ 1 1 0 5	c1105 F
6	✕ 1 1 0 6	c1106 F
7	✕ 1 1 0 7	c1107 F
8	✕ 1 1 0 8	c1108 F
9	✕ 1 1 0 9	c1109 F
10	✕ 1 1 1 0	c1110 F
11	✕ 1 1 1 1	c1111 F
12	✕ 1 1 1 2	c1112 F

For EXT. No.14

Line key	Program step	LCD indication
1	✕ 1 4 0 1	c1401 01
2	✕ 1 4 0 2	c1402 02
3	✕ 1 4 0 3	c1403 03
4	✕ 1 4 0 4	c1404 F
5	✕ 1 4 0 5	c1405 F
6	✕ 1 4 0 6	c1406 F
7	✕ 1 4 0 7	c1407 F
8	✕ 1 4 0 8	c1408 F
9	✕ 1 4 0 9	c1409 F
10	✕ 1 4 1 0	c1410 F
11	✕ 1 4 1 1	c1411 F
12	✕ 1 4 1 2	c1412 F

For EXT. No.12

Line key	Program step	LCD indication
1	✕ 1 2 0 1	c1201 01
2	✕ 1 2 0 2	c1202 02
3	✕ 1 2 0 3	c1203 03
4	✕ 1 2 0 4	c1204 F
5	✕ 1 2 0 5	c1205 F
6	✕ 1 2 0 6	c1206 F
7	✕ 1 2 0 7	c1207 F
8	✕ 1 2 0 8	c1208 F
9	✕ 1 2 0 9	c1209 F
10	✕ 1 2 1 0	c1210 F
11	✕ 1 2 1 1	c1211 F
12	✕ 1 2 1 2	c1212 F

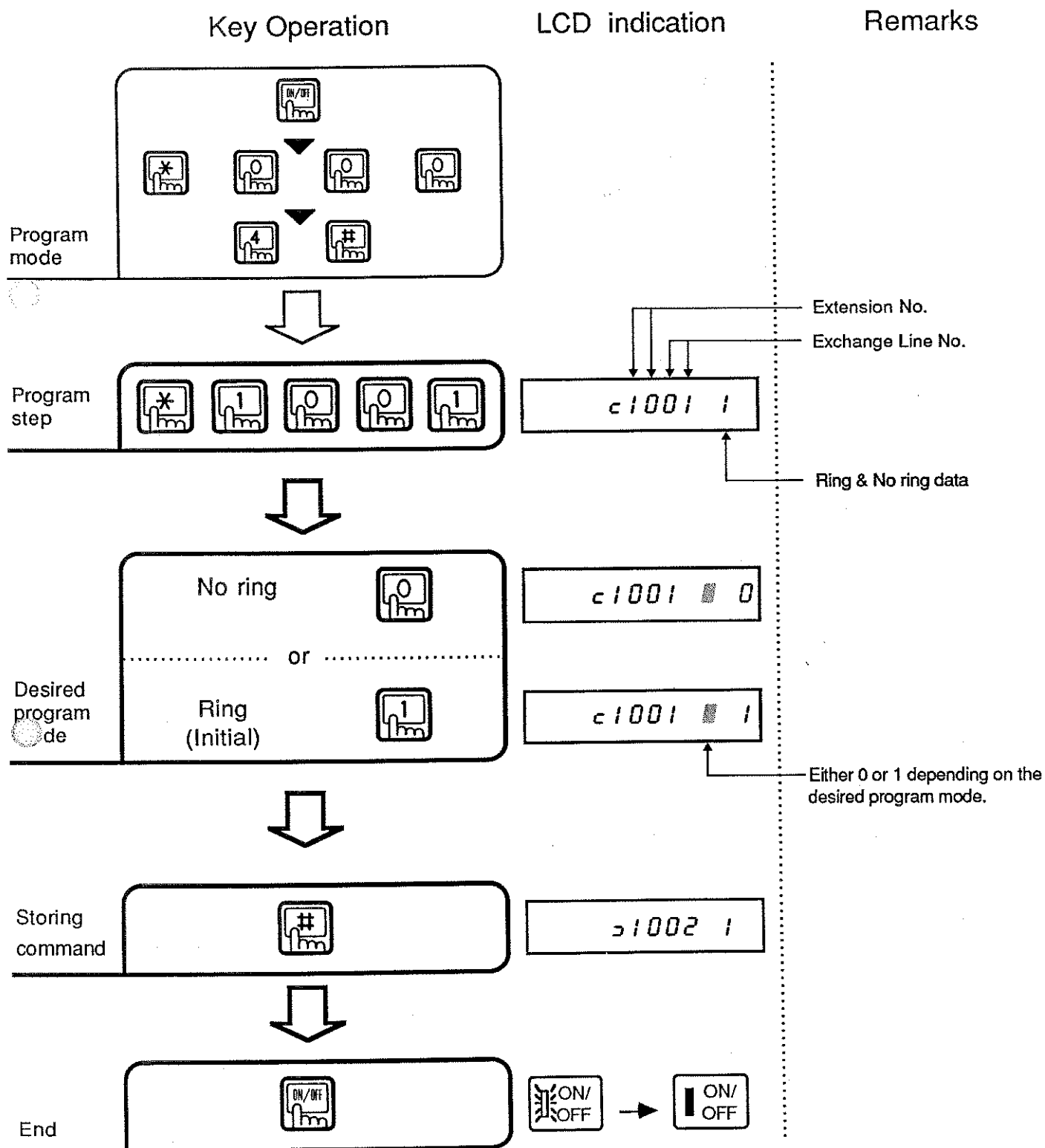
For EXT. No.18

Line key	Program step	LCD indication
1	✕ 1 8 0 1	c1801 01
2	✕ 1 8 0 2	c1802 02
3	✕ 1 8 0 3	c1803 03
4	✕ 1 8 0 4	c1804 F
5	✕ 1 8 0 5	c1805 F
6	✕ 1 8 0 6	c1806 F
7	✕ 1 8 0 7	c1807 F
8	✕ 1 8 0 8	c1808 F
9	✕ 1 8 0 9	c1809 F
10	✕ 1 8 1 0	c1810 F
11	✕ 1 8 1 1	c1811 F
12	✕ 1 8 1 2	c1812 F

2

Incoming call ring

You can set it so that it will ring when exchange line incoming signal is received. The setting specifies whether it will ring or not.



For EXT. No. 10

Exchange Line	Program step	LCD indication
1	✕ 1 0 0 1	c1001 1
2	✕ 1 0 0 2	c1002 1
3	✕ 1 0 0 3	c1003 1

For EXT. No. 15

Exchange Line	Program step	LCD indication
1	✕ 1 5 0 1	c1501 1
2	✕ 1 5 0 2	c1502 1
3	✕ 1 5 0 3	c1503 1

For EXT. No. 11

Exchange Line	Program step	LCD indication
1	✕ 1 1 0 1	c1101 1
2	✕ 1 1 0 2	c1102 1
3	✕ 1 1 0 3	c1103 1

For EXT. No. 16

Exchange Line	Program step	LCD indication
1	✕ 1 6 0 1	c1601 1
2	✕ 1 6 0 2	c1602 1
3	✕ 1 6 0 3	c1603 1

For EXT. No. 12

Exchange Line	Program step	LCD indication
1	✕ 1 2 0 1	c1201 1
2	✕ 1 2 0 2	c1202 1
3	✕ 1 2 0 3	c1203 1

For EXT. No. 17

Exchange Line	Program step	LCD indication
1	✕ 1 7 0 1	c1701 1
2	✕ 1 7 0 2	c1702 1
3	✕ 1 7 0 3	c1703 1

For EXT. No. 13

Exchange Line	Program step	LCD indication
1	✕ 1 3 0 1	c1301 1
2	✕ 1 3 0 2	c1302 1
3	✕ 1 3 0 3	c1303 1

For EXT. No. 18

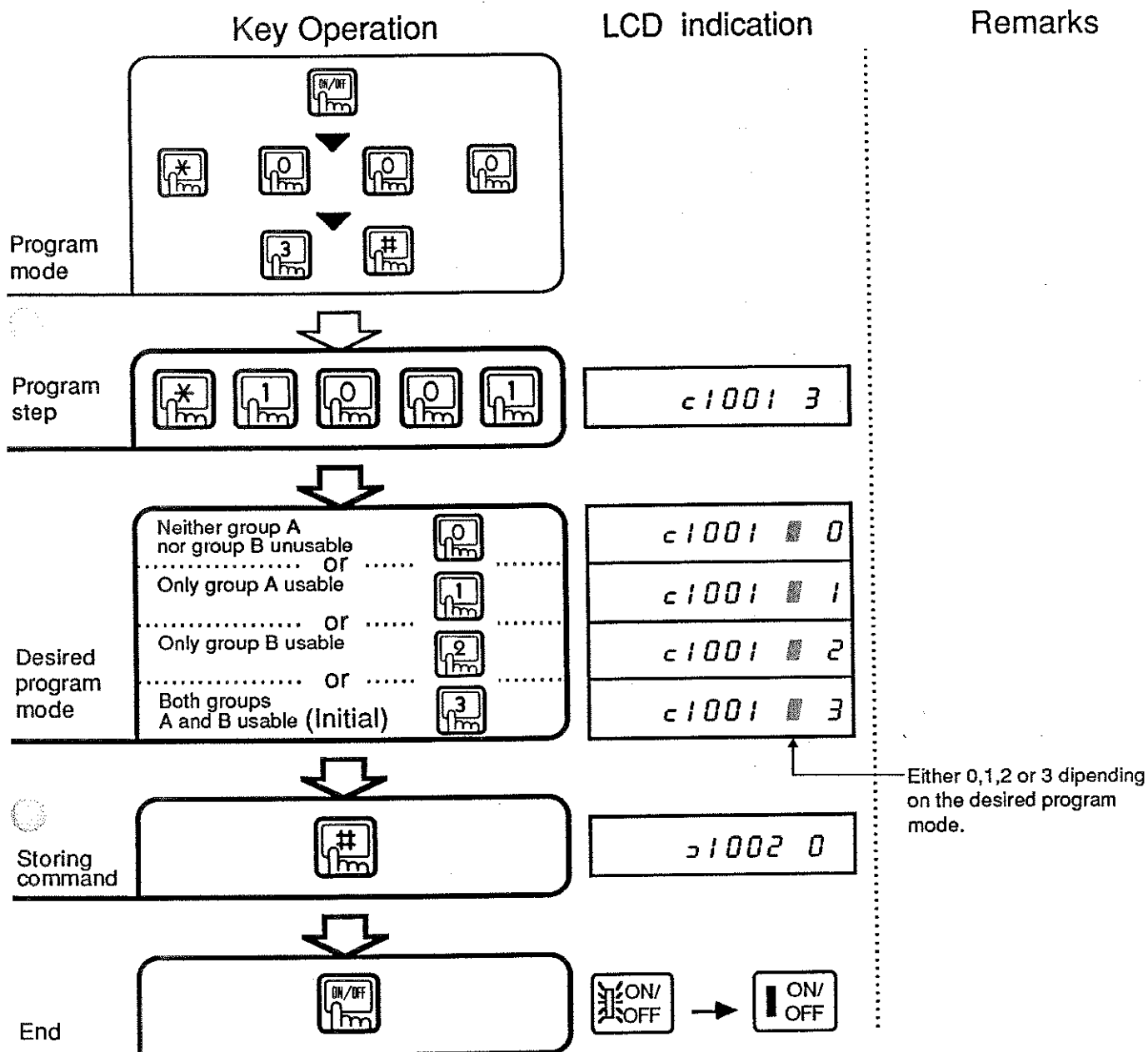
Exchange Line	Program step	LCD indication
1	✕ 1 8 0 1	c1801 1
2	✕ 1 8 0 2	c1802 1
3	✕ 1 8 0 3	c1803 1

For EXT. No. 14

Exchange Line	Program step	LCD indication
1	✕ 1 4 0 1	c1401 1
2	✕ 1 4 0 2	c1402 1
3	✕ 1 4 0 3	c1403 1

System speed dial group

You can use system speed dial group A and B. The setting specifies how group A and B is to be used.



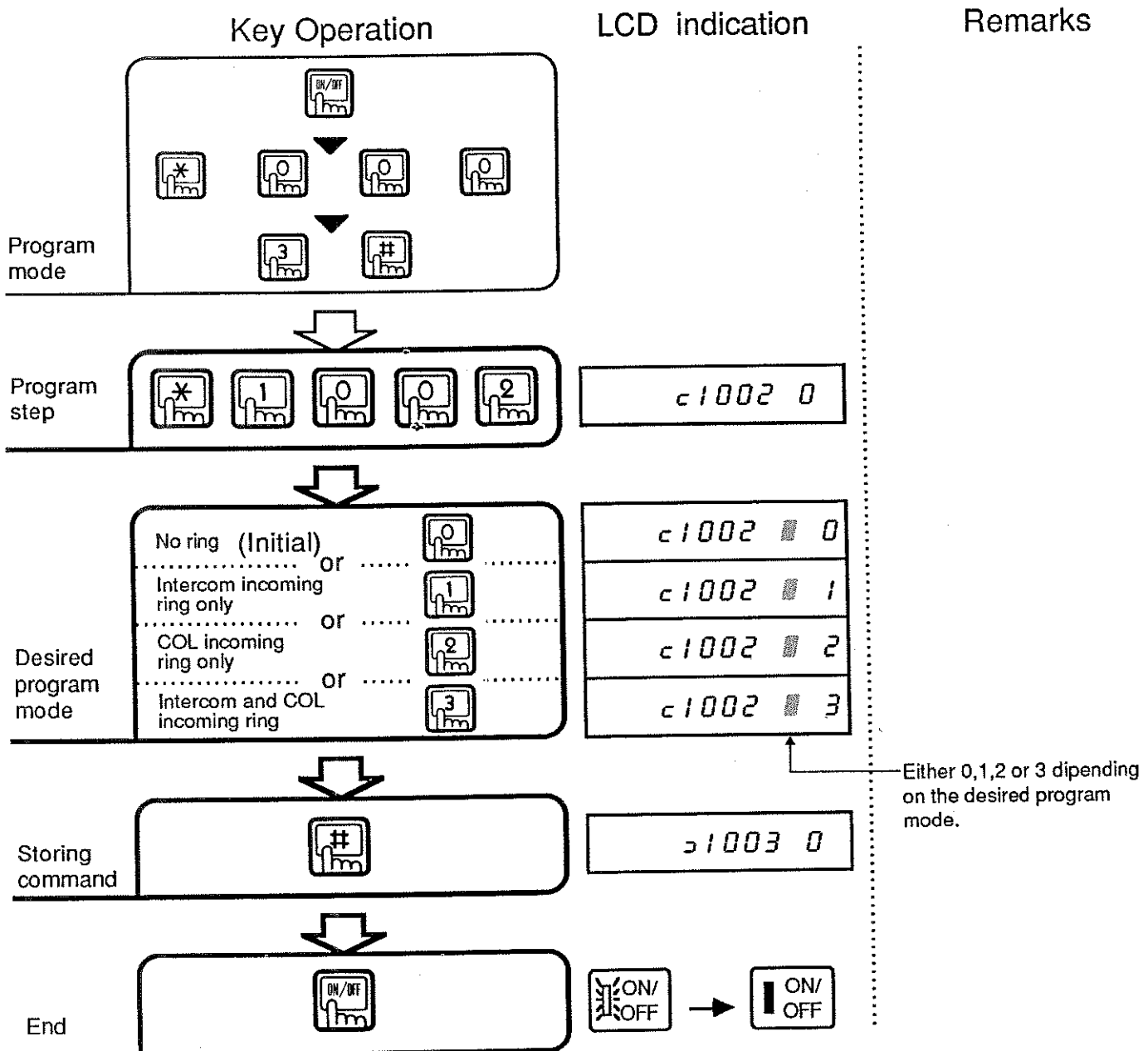
These program steps are made for each extension.

EXT NO.	Program step	LCD indication
10	* 1 0 0 1	c1001 3
11	* 1 1 0 1	c1101 3
12	* 1 2 0 1	c1201 3
13	* 1 3 0 1	c1301 3
14	* 1 4 0 1	c1401 3

EXT NO.	Program step	LCD indication
15	* 1 5 0 1	c1501 3
16	* 1 6 0 1	c1601 3
17	* 1 7 0 1	c1701 3
18	* 1 8 0 1	c1801 3

Off-hook signalling

You can have a signal produced through the speaker when incoming calls are received while you are talking on the telephone. The setting specifies how the incoming intercom and outside calls are to be dealt with.



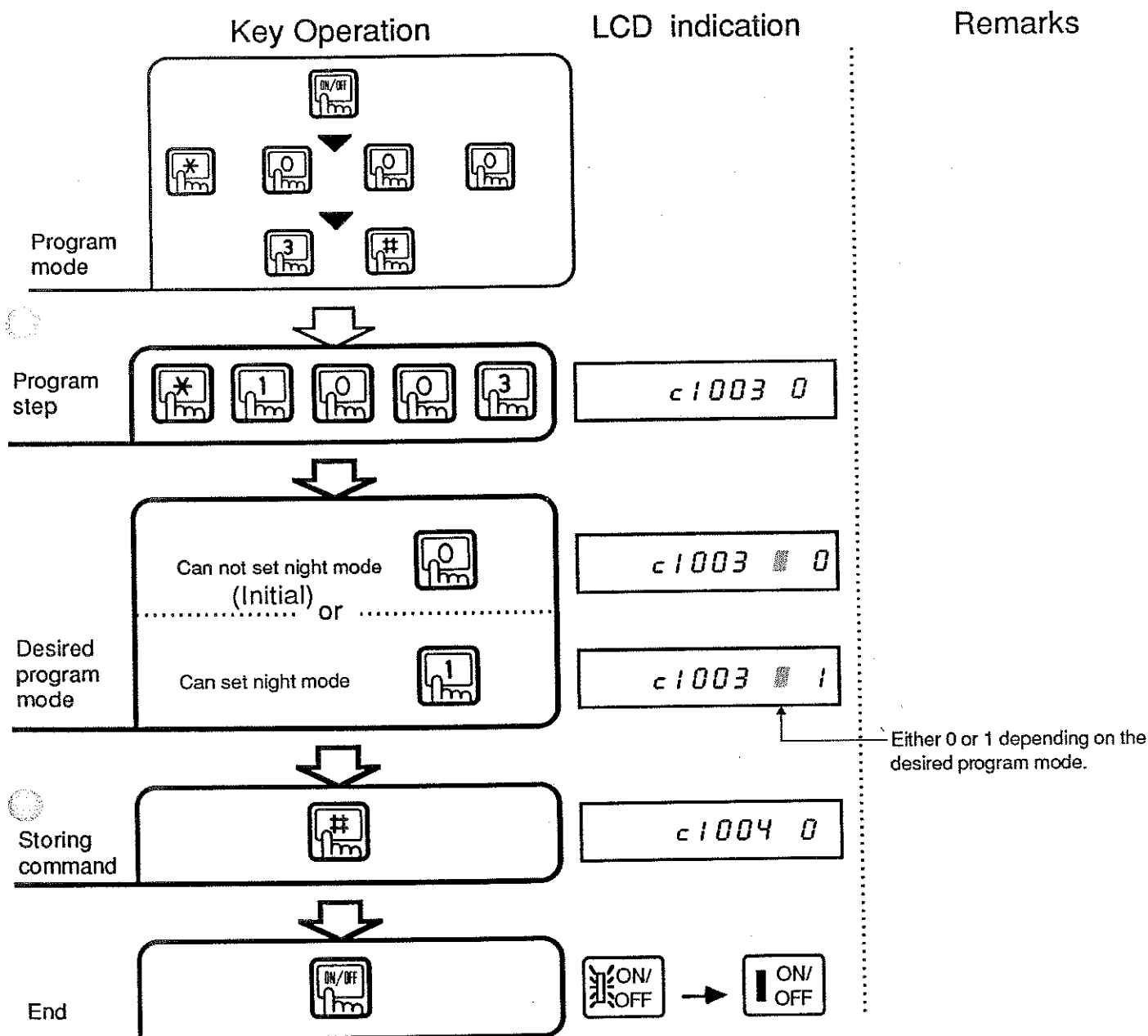
These program steps are made for each extension.

EXT NO.	Program step	LCD indication
10	* 1 0 0 2	c 1002 0
11	* 1 1 0 2	c 1102 0
12	* 1 2 0 2	c 1202 0
13	* 1 3 0 2	c 1302 0
14	* 1 4 0 2	c 1402 0

EXT NO.	Program step	LCD indication
15	* 1 5 0 2	c 1502 0
16	* 1 6 0 2	c 1602 0
17	* 1 7 0 2	c 1702 0
18	* 1 8 0 2	c 1802 0

Flexible night service setting

You can put the system to night time call mode by the telephone key operation. The setting specifies whether it can be set in night time mode or not.



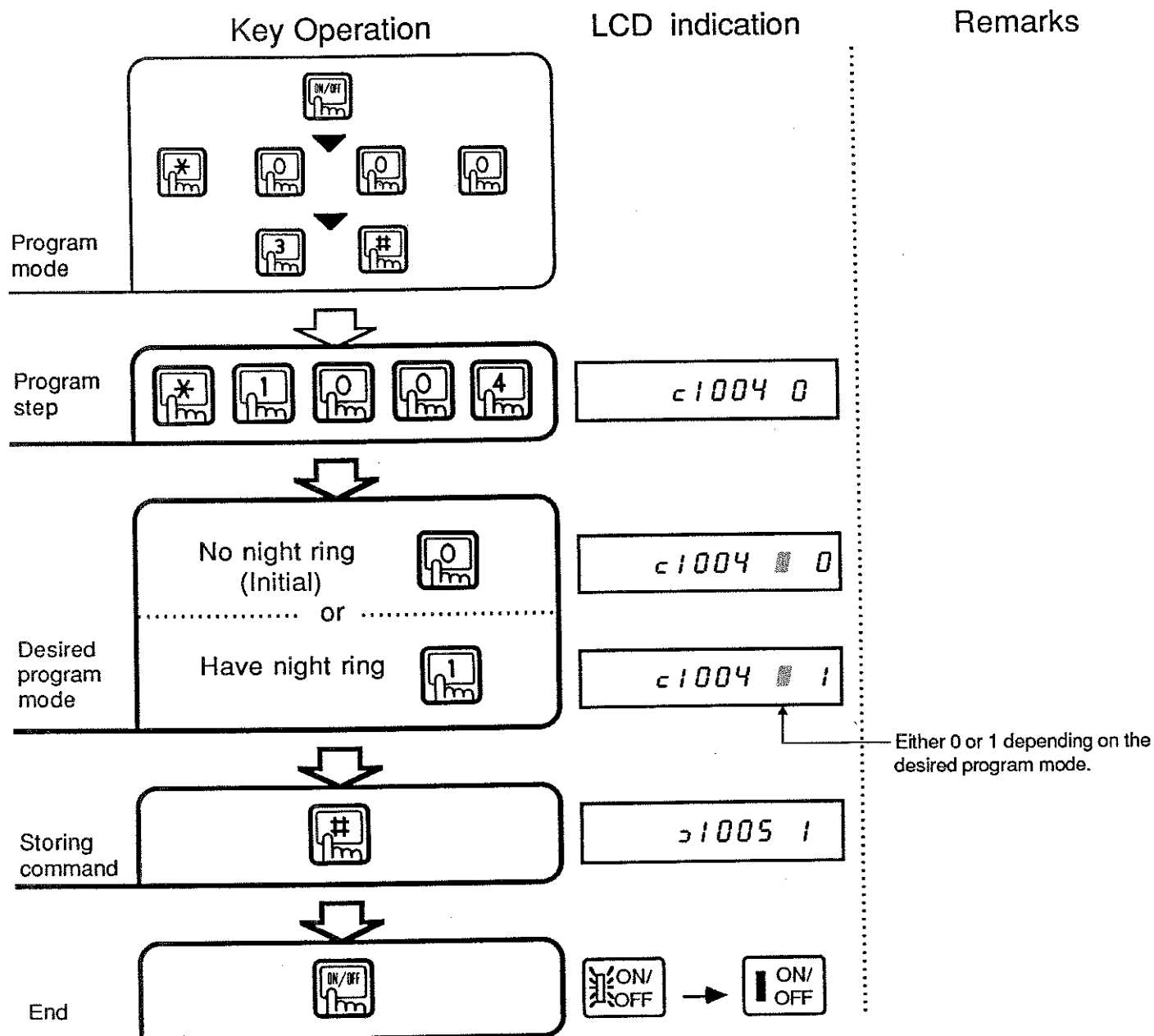
These program steps are made for each extension.

EXT NO.	Program step	LCD indication
10	* 1 0 0 3	c1003 0
11	* 1 1 0 3	c1103 0
12	* 1 2 0 3	c1203 0
13	* 1 3 0 3	c1303 0
14	* 1 4 0 3	c1403 0

EXT NO.	Program step	LCD indication
15	* 1 5 0 3	c1503 0
16	* 1 6 0 3	c1603 0
17	* 1 7 0 3	c1703 0
18	* 1 8 0 3	c1803 0

Flexible night service

You can have the system set in the night time call mode ring when COL incoming signal is received. This is necessary for when answering calls at night time. The setting specifies whether the system is to ring or not.



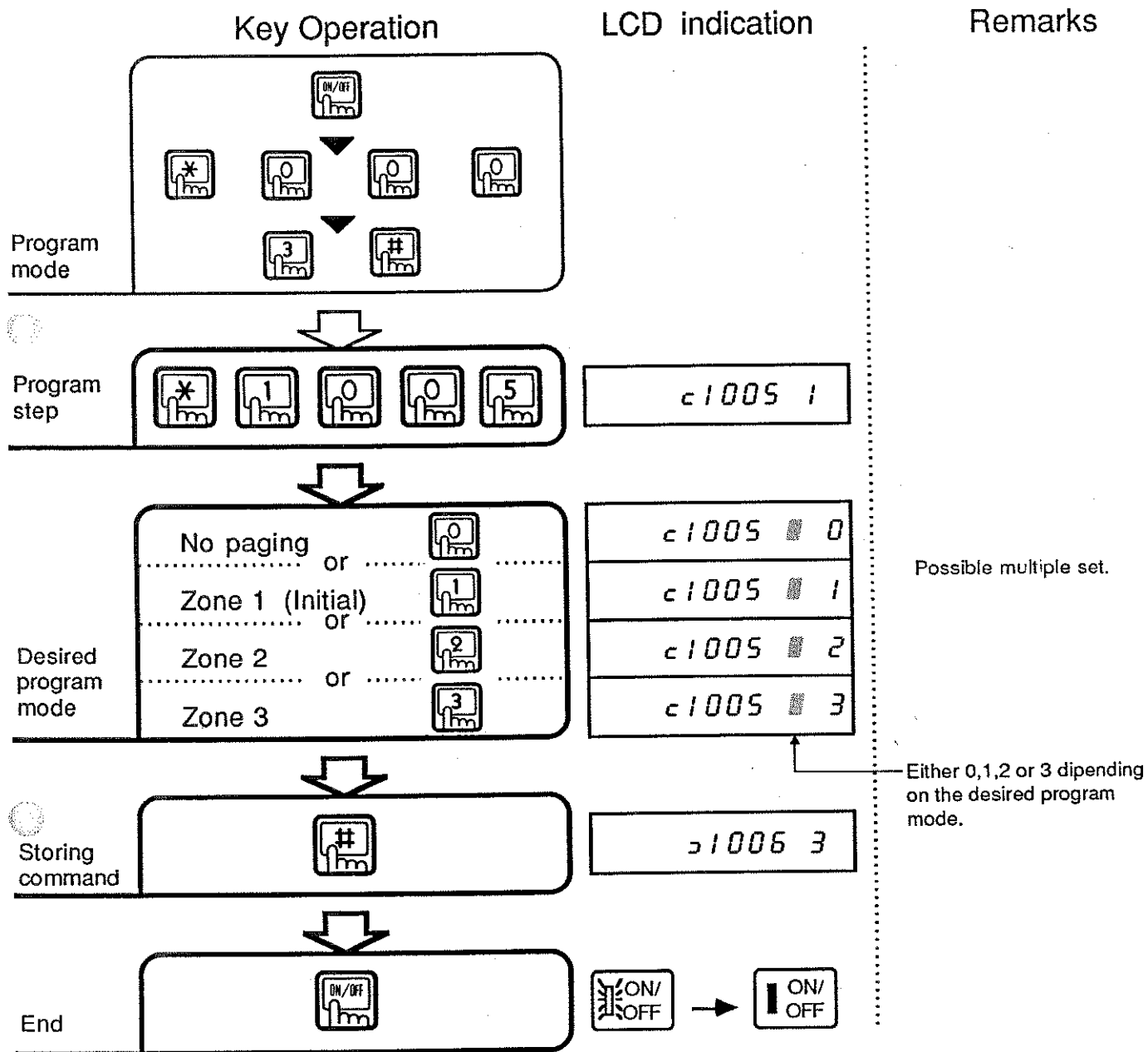
These program steps are made for each extension.

EXT NO.	Program step	LCD indication
10	* 1 0 0 4	c1004 0
11	* 1 1 0 4	c1104 0
12	* 1 2 0 4	c1204 0
13	* 1 3 0 4	c1304 0
14	* 1 4 0 4	c1404 0

EXT NO.	Program step	LCD indication
15	* 1 5 0 4	c1504 0
16	* 1 6 0 4	c1604 0
17	* 1 7 0 4	c1704 0
18	* 1 8 0 4	c1804 0

Zone paging

Zones can be paged separately. The setting specifies to which zone each telephone belongs. Also, Zone 3 can be used for external paging.



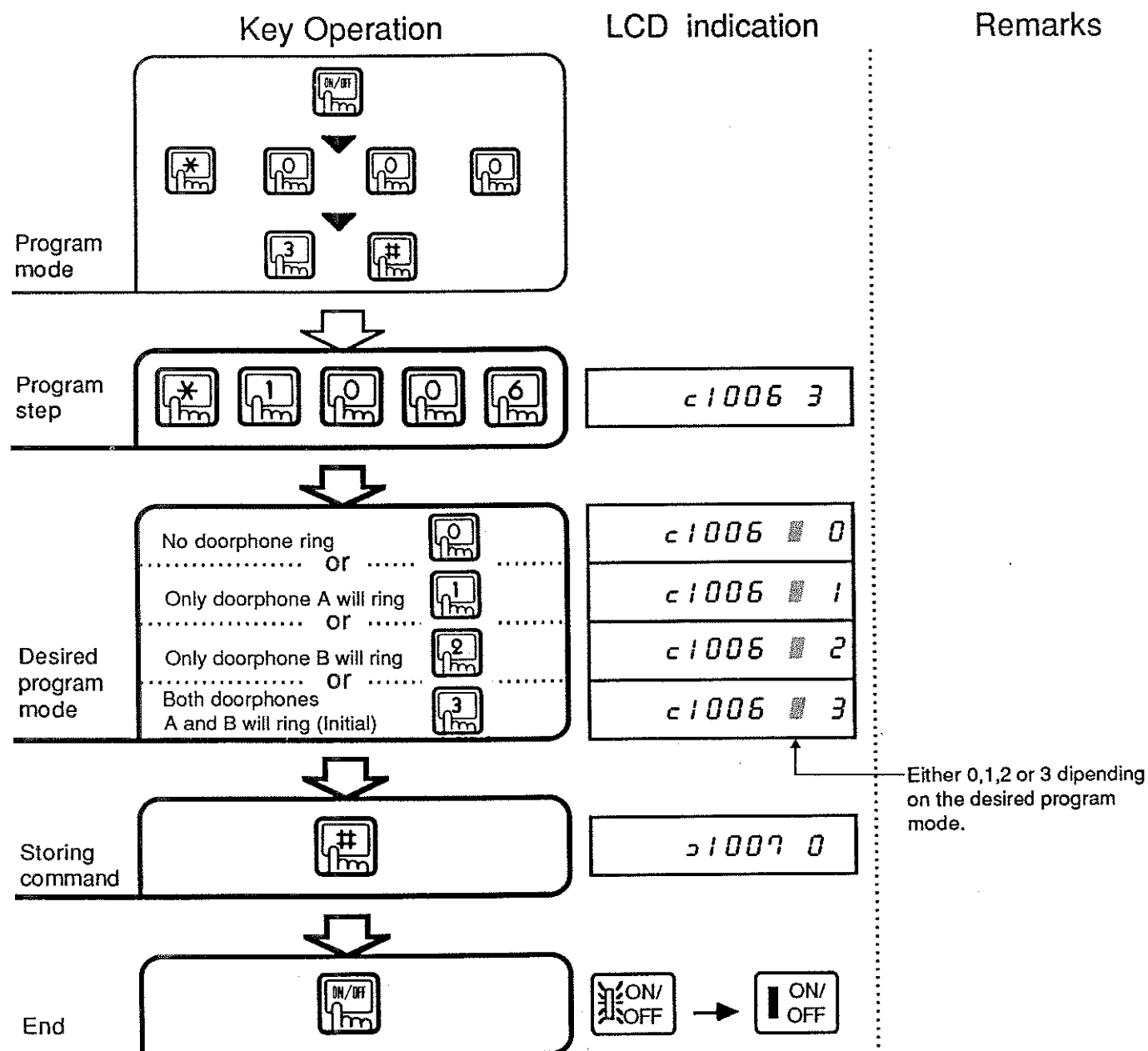
These program steps are made for each extension.

EXT NO.	Program step	LCD indication
10	* 1 0 0 5	c 1005 1
11	* 1 1 0 5	c 1105 1
12	* 1 2 0 5	c 1205 1
13	* 1 3 0 5	c 1305 1
14	* 1 4 0 5	c 1405 1

EXT NO.	Program step	LCD indication
15	* 1 5 0 5	c 1505 1
16	* 1 6 0 5	c 1605 1
17	* 1 7 0 5	c 1705 1
18	* 1 8 0 5	c 1805 1

Doorphone call

You can receive calls from the doorphones, when they are connected to the system, having specified how these calls are to be received from doorphones A and B.



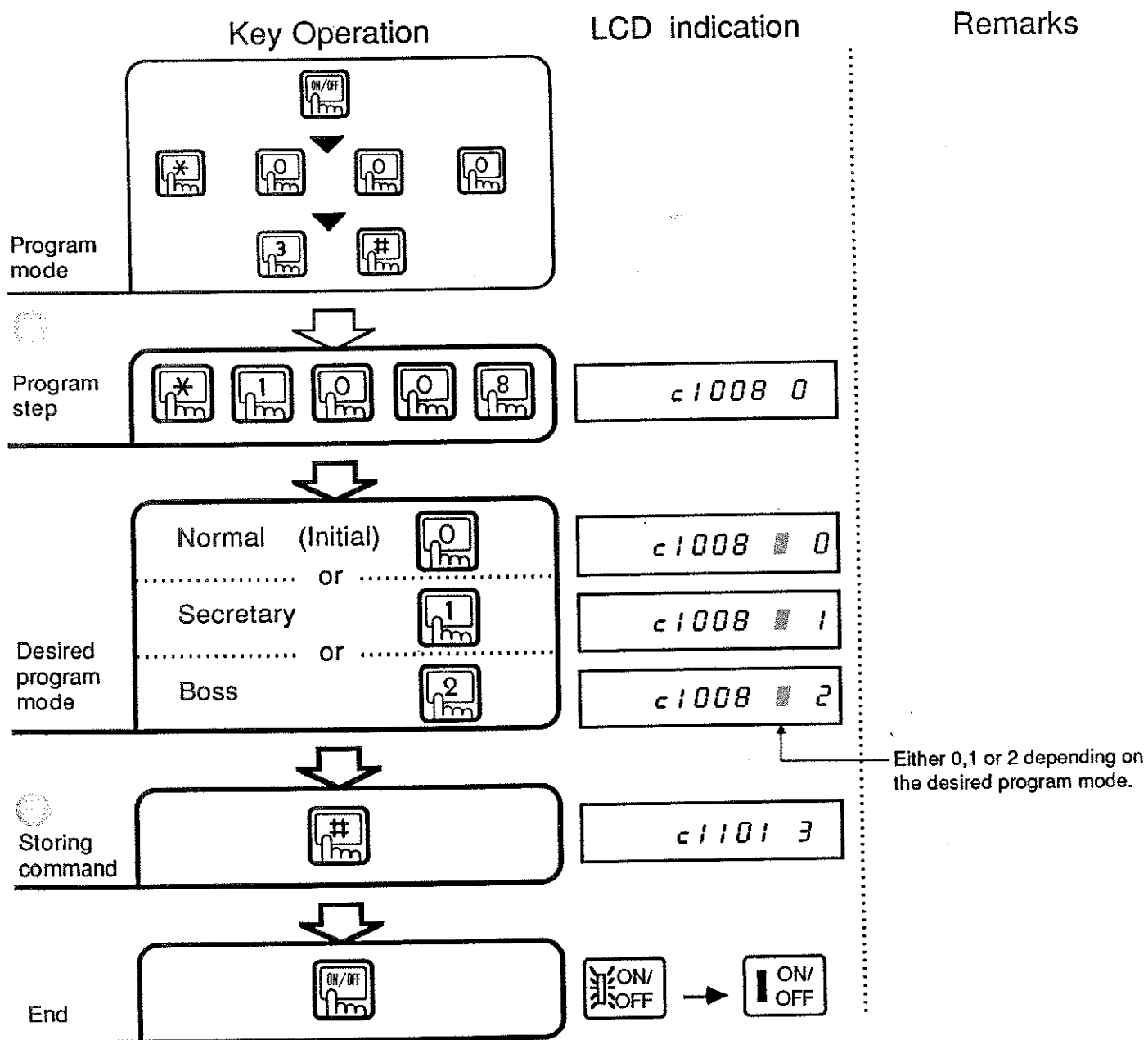
These program steps are made for each extension.

EXT NO.	Program step	LCD indication
10	* 1 0 0 6	c 1006 3
11	* 1 1 0 6	c 1106 3
12	* 1 2 0 6	c 1206 3
13	* 1 3 0 6	c 1306 3
14	* 1 4 0 6	c 1406 3

EXT NO.	Program step	LCD indication
15	* 1 5 0 6	c 1506 3
16	* 1 6 0 6	c 1606 3
17	* 1 7 0 6	c 1706 3
18	* 1 8 0 6	c 1806 3

Secretary or boss telephone setting

This setting determines whether the telephone will be a secretary telephone or boss telephone. This enables simple secretary or boss functions. The only function is to enable automatic boss to secretary call forwarding.



These program steps are made for each extension.

EXT NO.	Program step	LCD indication
10	* 1 0 0 8	c1008 0
11	* 1 1 0 8	c1108 0
12	* 1 2 0 8	c1208 0
13	* 1 3 0 8	c1308 0
14	* 1 4 0 8	c1408 0

EXT NO.	Program step	LCD indication
15	* 1 5 0 8	c1508 0
16	* 1 6 0 8	c1608 0
17	* 1 7 0 8	c1708 0
18	* 1 8 0 8	c1808 0

Call barring (class of service)

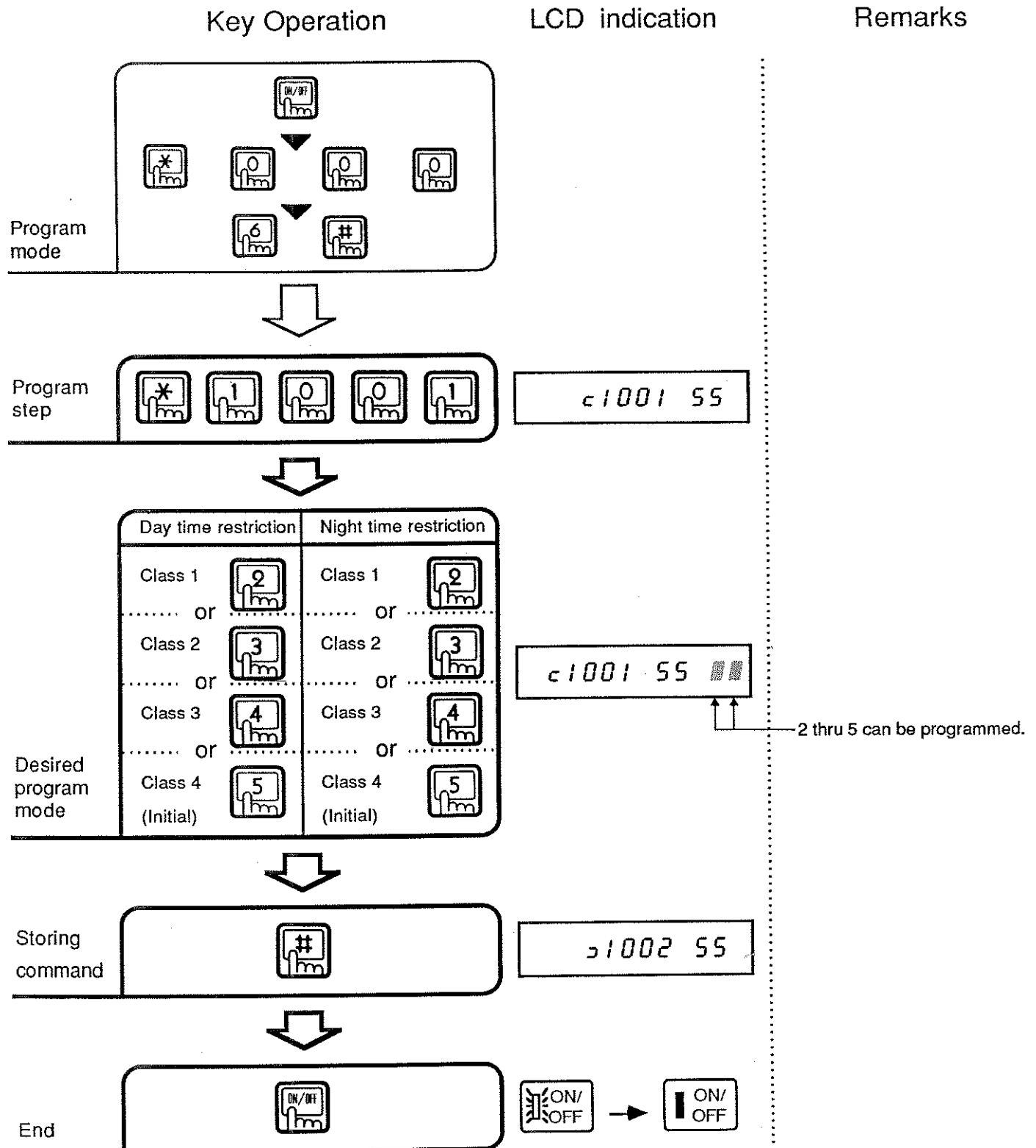
Outside calls can be restricted when they are being made. Any of the following 4 call restriction classes can be selected each of day time and night time.

Class 1; Outside dialling disabled.

Class 2; Outside dialling restriction for 100,155,010 and 0001 except 999 and 1 to 4 restriction I

Class 3; Outside dialling restriction for 155,010 and 0001 except 100,999 and 1 to 4 restriction II

Class 4; No restriction



For EXT. No. 10

Exchange Line	Program step	LCD indication
1	✕ 1 0 0 1	c1001 55
2	✕ 1 0 0 2	c1002 55
3	✕ 1 0 0 3	c1003 55

For EXT. No. 15

Exchange Line	Program step	LCD indication
1	✕ 1 5 0 1	c1501 55
2	✕ 1 5 0 2	c1502 55
3	✕ 1 5 0 3	c1503 55

For EXT. No. 11

Exchange Line	Program step	LCD indication
1	✕ 1 1 0 1	c1101 55
2	✕ 1 1 0 2	c1102 55
3	✕ 1 1 0 3	c1103 55

For EXT. No. 16

Exchange Line	Program step	LCD indication
1	✕ 1 6 0 1	c1601 55
2	✕ 1 6 0 2	c1602 55
3	✕ 1 6 0 3	c1603 55

For EXT. No. 12

Exchange Line	Program step	LCD indication
1	✕ 1 2 0 1	c1201 55
2	✕ 1 2 0 2	c1202 55
3	✕ 1 2 0 3	c1203 55

For EXT. No. 17

Exchange Line	Program step	LCD indication
1	✕ 1 7 0 1	c1701 55
2	✕ 1 7 0 2	c1702 55
3	✕ 1 7 0 3	c1703 55

For EXT. No. 13

Exchange Line	Program step	LCD indication
1	✕ 1 3 0 1	c1301 55
2	✕ 1 3 0 2	c1302 55
3	✕ 1 3 0 3	c1303 55

For EXT. No. 18

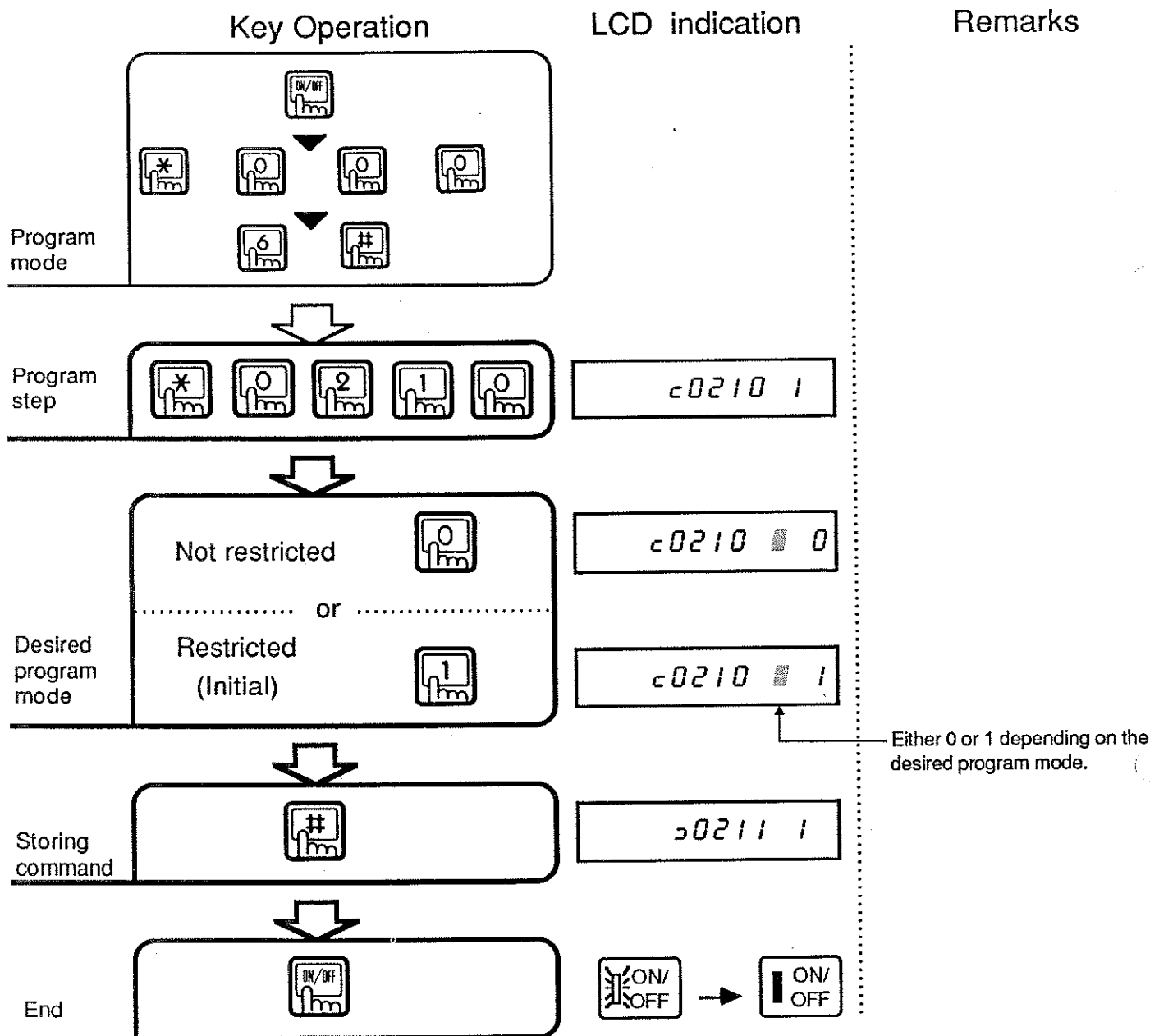
Exchange Line	Program step	LCD indication
1	✕ 1 8 0 1	c1801 55
2	✕ 1 8 0 2	c1802 55
3	✕ 1 8 0 3	c1803 55

For EXT. No. 14

Exchange Line	Program step	LCD indication
1	✕ 1 4 0 1	c1401 55
2	✕ 1 4 0 2	c1402 55
3	✕ 1 4 0 3	c1403 55

Call barring (system speed dial)

In case of call barring (class of service) classes 2, numbers subject to restriction can be released if stored in system speed dial. The setting specifies whether or not restrictions are to be made for numbers stored in system speed dial.



These program steps are made for each extension.

EXT NO.	Program step	LCD indication
10	* 0 2 1 0	c0210 1
11	* 0 2 1 1	c0211 1
12	* 0 2 1 2	c0212 1
13	* 0 2 1 3	c0213 1
14	* 0 2 1 4	c0214 1

EXT NO.	Program step	LCD indication
15	* 0 2 1 5	c0215 1
16	* 0 2 1 6	c0216 1
17	* 0 2 1 7	c0217 1
18	* 0 2 1 8	c0218 1

APPENDIX

Names and phone numbers list

00	18	36	54	72
01	19	37	55	73
02	20	38	56	74
03	21	39	57	75
04	22	40	58	76
05	23	41	59	77
06	24	42	60	78
07	25	43	61	79
08	26	44	62	80
09	27	45	63	81
10	28	46	64	82
11	29	47	65	83
12	30	48	66	84
13	31	49	67	85
14	32	50	68	86
15	33	51	69	87
16	34	52	70	88
17	35	53	71	89

Programming table for initial set

System setting

MODE NO.	FEATURE	OPTION SELECTED									
1	Ring priority	Internal line priority					Outside line priority				
		*101-0	X					*101-1			
	Intercom ring type	Tone call					Voice call				
		*102-0	X					*102-1			
	*103- Range of system speed dial group A	0	1	2	3	4	5	6	7	8	
										X	
		0	1	2	3	4	5	6	7	8	X
	*104- Range of system speed dial group B	0	1	2	3	4	5	6	7	8	
		X									
		0	1	2	3	4	5	6	7	8	9
	Flash time	0.6 sec			1 sec			2 sec			
		*105-0			*105-1			*105-2 X			
	Dial generation guard time	0.4 sec		0.6 sec		1 sec		2 sec		3 sec	
		*106-0		*106-1 X		*106-2		*106-3		*106-4	
	Long Speech alarm	No alarm tone					Have alarm tone				
*107-0 X					*107-1						
Automatic answering for incoming calls	No auto answering			Only handset auto answering			Handset & ON/OFF key				
	*108-0			*108-1			*108-2 X				
Ringing telephone for night time incoming calls	Only night time ring set TEL will ring					COL ring set TEL will ring, too					
	*109-0 X					*109-1					

NOTE: COL: Central Office Line = Exchange Line

MODE NO.	FEATURE	OPTION SELECTED										
		No recall	In the immediate	After 30 sec	After 1 min	After 2min	After 3 min					
	Hold recall	*110-0	*110-1	*110-2	*110-3 X	*110-4	*110-5					
	Connection of doorphone	*111-0 Can not connect				*111-1 Can connect X						
	On-hook transfer mode	Handset & on/off key:SVT & USVT	Handset : SVT & USVT	Handset & on/off key : SVT	Handset : SVT	Not stipulated						
		*120-0 X	*120-1	*120-2	*102-3	*113-4						
	System speed dial storing pause time *122-	1 sec	2 sec	3 sec	4 sec	5 sec	6 sec	7 sec	8 sec	9 sec		
			X									
*123-	Dialed first No.	1	2	3	4	5	6	7	8	9	Clear	
										X		
	Pause time	1 sec	2 sec	3 sec	4 sec	5 sec	6 sec	7 sec	8 sec	9 sec		
Automatic pause for PBX			X									
	Digit No.	1	2	3	4	5	6	7	8	9		
		X										
*124-	Dialed first No.	1	2	3	4	5	6	7	8	9	Clear	
											X	
	Pause time	1 sec	2 sec	3 sec	4 sec	5 sec	6 sec	7 sec	8 sec	9 sec		
Automatic pause for PBX												
	Digit No.	1	2	3	4	5	6	7	8	9		
*125-	Dialed first No.	1	2	3	4	5	6	7	8	9	Clear	
											X	
	Pause time	1 sec	2 sec	3 sec	4 sec	5 sec	6 sec	7 sec	8 sec	9 sec		
Automatic pause for PBX												
	Digit No.	1	2	3	4	5	6	7	8	9		
*126-	Dialed first No.	1	2	3	4	5	6	7	8	9	Clear	
											X	
	Pause time	1 sec	2 sec	3 sec	4 sec	5 sec	6 sec	7 sec	8 sec	9 sec		
Automatic pause for PBX												
	Digit No.	1	2	3	4	5	6	7	8	9		

1

MODE NO.	FEATURE	OPTION SELECTED												
		1 sec	2 sec	3 sec	4 sec	5 sec	6 sec	7 sec	8 sec	9 sec	Clear			
1	*128- Specified dialling for automatic pause	Pause time or Clear												X
		Dial No.	1st digit	0	1	2	3	4	5	6	7	8	9	
			2nd digit	0	1	2	3	4	5	6	7	8	9	
			3rd digit	0	1	2	3	4	5	6	7	8	9	
			4th digit	0	1	2	3	4	5	6	7	8	9	
			5th digit	0	1	2	3	4	5	6	7	8	9	
			6th digit	0	1	2	3	4	5	6	7	8	9	
			7th digit	0	1	2	3	4	5	6	7	8	9	
			8th digit	0	1	2	3	4	5	6	7	8	9	
			9th digit	0	1	2	3	4	5	6	7	8	9	
			10th digit	0	1	2	3	4	5	6	7	8	9	
			11th digit	0	1	2	3	4	5	6	7	8	9	
			12th digit	0	1	2	3	4	5	6	7	8	9	
			13th digit	0	1	2	3	4	5	6	7	8	9	
			14th digit	0	1	2	3	4	5	6	7	8	9	
			15th digit	0	1	2	3	4	5	6	7	8	9	
			16th digit	0	1	2	3	4	5	6	7	8	9	

MODE NO.	FEATURE	OPTION SELECTED														
		1 sec	2 sec	3 sec	4 sec	5 sec	6 sec	7 sec	8 sec	9 sec	Clear					
1	*129- Specified dialling for automatic pause	Pause time or Clear													X	
		Dial No.	1st digit	0	1	2	3	4	5	6	7	8	9			
			2nd digit	0	1	2	3	4	5	6	7	8	9			
			3rd digit	0	1	2	3	4	5	6	7	8	9			
			4th digit	0	1	2	3	4	5	6	7	8	9			
			5th digit	0	1	2	3	4	5	6	7	8	9			
			6th digit	0	1	2	3	4	5	6	7	8	9			
			7th digit	0	1	2	3	4	5	6	7	8	9			
			8th digit	0	1	2	3	4	5	6	7	8	9			
			9th digit	0	1	2	3	4	5	6	7	8	9			
			10th digit	0	1	2	3	4	5	6	7	8	9			
			11th digit	0	1	2	3	4	5	6	7	8	9			
			12th digit	0	1	2	3	4	5	6	7	8	9			
			13th digit	0	1	2	3	4	5	6	7	8	9			
			14th digit	0	1	2	3	4	5	6	7	8	9			
			15th digit	0	1	2	3	4	5	6	7	8	9			
			16th digit	0	1	2	3	4	5	6	7	8	9			

MODE NO.	FEATURE	OPTION SELECTED														
		1 sec	2 sec	3 sec	4 sec	5 sec	6 sec	7 sec	8 sec	9 sec	Clear					
1	*130- Specified dialling for automatic pause	Pause time or Clear													X	
		Dial No.	1st digit	0	1	2	3	4	5	6	7	8	9			
			2nd digit	0	1	2	3	4	5	6	7	8	9			
			3rd digit	0	1	2	3	4	5	6	7	8	9			
			4th digit	0	1	2	3	4	5	6	7	8	9			
			5th digit	0	1	2	3	4	5	6	7	8	9			
			6th digit	0	1	2	3	4	5	6	7	8	9			
			7th digit	0	1	2	3	4	5	6	7	8	9			
			8th digit	0	1	2	3	4	5	6	7	8	9			
			9th digit	0	1	2	3	4	5	6	7	8	9			
			10th digit	0	1	2	3	4	5	6	7	8	9			
			11th digit	0	1	2	3	4	5	6	7	8	9			
			12th digit	0	1	2	3	4	5	6	7	8	9			
			13th digit	0	1	2	3	4	5	6	7	8	9			
			14th digit	0	1	2	3	4	5	6	7	8	9			
			15th digit	0	1	2	3	4	5	6	7	8	9			
			16th digit	0	1	2	3	4	5	6	7	8	9			

MODE NO.	FEATURE	OPTION SELECTED													
		1 sec	2 sec	3 sec	4 sec	5 sec	6 sec	7 sec	8 sec	9 sec	Clear				
1	*131- Specified dialling for automatic pause	Pause time or Clear												X	
		Dial No.	1st digit	0	1	2	3	4	5	6	7	8	9		
			2nd digit	0	1	2	3	4	5	6	7	8	9		
		Dial No.	3rd digit	0	1	2	3	4	5	6	7	8	9		
			4th digit	0	1	2	3	4	5	6	7	8	9		
		Dial No.	5th digit	0	1	2	3	4	5	6	7	8	9		
			6th digit	0	1	2	3	4	5	6	7	8	9		
		Dial No.	7th digit	0	1	2	3	4	5	6	7	8	9		
			8th digit	0	1	2	3	4	5	6	7	8	9		
		Dial No.	9th digit	0	1	2	3	4	5	6	7	8	9		
			10th digit	0	1	2	3	4	5	6	7	8	9		
		Dial No.	11th digit	0	1	2	3	4	5	6	7	8	9		
			12th digit	0	1	2	3	4	5	6	7	8	9		
		Dial No.	13th digit	0	1	2	3	4	5	6	7	8	9		
			14th digit	0	1	2	3	4	5	6	7	8	9		
		Dial No.	15th digit	0	1	2	3	4	5	6	7	8	9		
			16th digit	0	1	2	3	4	5	6	7	8	9		

MODE NO.	FEATURE	OPTION SELECTED															
		1 sec	2 sec	3 sec	4 sec	5 sec	6 sec	7 sec	8 sec	9 sec	Clear						
1	*132- Specified dialling for automatic pause	Pause time or Clear													X		
		Dial No.	1st digit	0	1	2	3	4	5	6	7	8	9				
			2nd digit	0	1	2	3	4	5	6	7	8	9				
			3rd digit	0	1	2	3	4	5	6	7	8	9				
			4th digit	0	1	2	3	4	5	6	7	8	9				
			5th digit	0	1	2	3	4	5	6	7	8	9				
			6th digit	0	1	2	3	4	5	6	7	8	9				
			7th digit	0	1	2	3	4	5	6	7	8	9				
			8th digit	0	1	2	3	4	5	6	7	8	9				
			9th digit	0	1	2	3	4	5	6	7	8	9				
			10th digit	0	1	2	3	4	5	6	7	8	9				
			11th digit	0	1	2	3	4	5	6	7	8	9				
			12th digit	0	1	2	3	4	5	6	7	8	9				
			13th digit	0	1	2	3	4	5	6	7	8	9				
			14th digit	0	1	2	3	4	5	6	7	8	9				
			15th digit	0	1	2	3	4	5	6	7	8	9				
			16th digit	0	1	2	3	4	5	6	7	8	9				

MODE NO.	FEATURE	OPTION SELECTED														
		1 sec	2 sec	3 sec	4 sec	5 sec	6 sec	7 sec	8 sec	9 sec	Clear					
1	*133- Specified dialling for automatic pause	Pause time or Clear													X	
		Dial No.	1st digit	0	1	2	3	4	5	6	7	8	9			
			2nd digit	0	1	2	3	4	5	6	7	8	9			
		3rd digit	0	1	2	3	4	5	6	7	8	9				
		4th digit	0	1	2	3	4	5	6	7	8	9				
		5th digit	0	1	2	3	4	5	6	7	8	9				
		6th digit	0	1	2	3	4	5	6	7	8	9				
		7th digit	0	1	2	3	4	5	6	7	8	9				
		8th digit	0	1	2	3	4	5	6	7	8	9				
		9th digit	0	1	2	3	4	5	6	7	8	9				
10th digit	0	1	2	3	4	5	6	7	8	9						
11th digit	0	1	2	3	4	5	6	7	8	9						
12th digit	0	1	2	3	4	5	6	7	8	9						
13th digit	0	1	2	3	4	5	6	7	8	9						
14th digit	0	1	2	3	4	5	6	7	8	9						
15th digit	0	1	2	3	4	5	6	7	8	9						
16th digit	0	1	2	3	4	5	6	7	8	9						

MODE NO.	FEATURE	OPTION SELECTED														
		1 sec	2 sec	3 sec	4 sec	5 sec	6 sec	7 sec	8 sec	9 sec	Clear					
1	*134- Specified dialling for automatic pause	Pause time or Clear													X	
		Dial No.	1st digit	0	1	2	3	4	5	6	7	8	9			
			2nd digit	0	1	2	3	4	5	6	7	8	9			
			3rd digit	0	1	2	3	4	5	6	7	8	9			
			4th digit	0	1	2	3	4	5	6	7	8	9			
			5th digit	0	1	2	3	4	5	6	7	8	9			
			6th digit	0	1	2	3	4	5	6	7	8	9			
			7th digit	0	1	2	3	4	5	6	7	8	9			
			8th digit	0	1	2	3	4	5	6	7	8	9			
			9th digit	0	1	2	3	4	5	6	7	8	9			
			10th digit	0	1	2	3	4	5	6	7	8	9			
			11th digit	0	1	2	3	4	5	6	7	8	9			
			12th digit	0	1	2	3	4	5	6	7	8	9			
			13th digit	0	1	2	3	4	5	6	7	8	9			
			14th digit	0	1	2	3	4	5	6	7	8	9			
			15th digit	0	1	2	3	4	5	6	7	8	9			
			16th digit	0	1	2	3	4	5	6	7	8	9			

MODE NO.	FEATURE		OPTION										SELECTED
			1	2	3	4	5	6	7	8	9		
6	*0100- PBX outside dialling digit	PBX ac- cess No.	1	2	3	4	5	6	7	8	9	Clear	
		Digit No.										X	
	*0101- PBX outside dialling digit	PBX ac- cess No.	1	2	3	4	5	6	7	8	9	Clear	
		Digit No.	X										
	*0102- PBX outside dialling digit	PBX ac- cess No.	1	2	3	4	5	6	7	8	9	Clear	
		Digit No.											X
	*0103- PBX outside dialling digit	PBX ac- cess No.	1	2	3	4	5	6	7	8	9	Clear	
		Digit No.											X
	Restriction on out- side calls using out- side lines on which received		Outside dialling restriction					Same content as that programmed outside dialling restriction					
			*0110-0					*0110-1					
								X					
	Restriction by num- ber of digits when making outside call		Not	8 digits	9 digits	10 digits	11 digits	12 digits	13 digits	14 digits	15 digits	16 digits	
			*0410-0	*0410-1	*0410-2	*0410-3	*0410-4	*0410-5	*0410-6	*0410-7	*0410-8	*0410-9	
			X										
	* and # restriction		Not restricted					Restricted					
			*0420-0					*0420-1					
			X										
	*0430- 2 digits restriction	1st digit	0	1	2	3	4	5	6	7	8	9	
		2nd digit or clear	X										Clear
	*0431- 2 digits restriction	1st digit	0	1	2	3	4	5	6	7	8	9	
		2nd digit or clear		X									Clear
	*0432- 2 digits restriction	1st digit	0	1	2	3	4	5	6	7	8	9	
		2nd digit or clear			X								Clear
			0	1	2	3	4	5	6	7	8	9	X

MODE	FEATURE		OPTION SELECTED										
			0	1	2	3	4	5	6	7	8	9	
6	*0433- 2 digits restriction	1st digit	0	1	2	3	4	5	6	7	8	9	
					X								
		2nd digit or clear	0	1	2	3	4	5	6	7	8	9	Clear
													X
	*0434- 2 digits restriction	1st digit	0	1	2	3	4	5	6	7	8	9	
							X						
		2nd digit or clear	0	1	2	3	4	5	6	7	8	9	Clear
													X
	*0435- 2 digits restriction	1st digit	0	1	2	3	4	5	6	7	8	9	
								X					
		2nd digit or clear	0	1	2	3	4	5	6	7	8	9	Clear
													X
	*0436- 2 digits restriction	1st digit	0	1	2	3	4	5	6	7	8	9	
									X				
	2nd digit or clear	0	1	2	3	4	5	6	7	8	9	Clear	
												X	
*0437- 2 digits restriction	1st digit	0	1	2	3	4	5	6	7	8	9		
									X				
	2nd digit or clear	0	1	2	3	4	5	6	7	8	9	Clear	
												X	
*0438- 2 digits restriction	1st digit	0	1	2	3	4	5	6	7	8	9		
										X			
	2nd digit or clear	0	1	2	3	4	5	6	7	8	9	Clear	
												X	
*0439- 2 digits restriction	1st digit	0	1	2	3	4	5	6	7	8	9		
											X		
	2nd digit or clear	0	1	2	3	4	5	6	7	8	9	Clear	
												X	

MODE NO.	FEATURE	OPTION SELECTED											
		0	1	2	3	4	5	6	7	8	9	Clear	
6	*0441- 4 dialling restriction override (for class 2)	0	1	2	3	4	5	6	7	8	9	Clear	
													X
		0	1	2	3	4	5	6	7	8	9		
		0	1	2	3	4	5	6	7	8	9		
	*0442- 4 dialling restriction override (for class 2)	0	1	2	3	4	5	6	7	8	9	Clear	
													X
		0	1	2	3	4	5	6	7	8	9		
		0	1	2	3	4	5	6	7	8	9		
	*0443- 4 dialling restriction override (for class 2)	0	1	2	3	4	5	6	7	8	9	Clear	
													X
		0	1	2	3	4	5	6	7	8	9		
		0	1	2	3	4	5	6	7	8	9		
	*0444- 4 dialling restriction override (for class 2)	0	1	2	3	4	5	6	7	8	9	Clear	
													X
0		1	2	3	4	5	6	7	8	9			
0		1	2	3	4	5	6	7	8	9			

MODE NO.	FEATURE	OPTION SELECTED											
		0	1	2	3	4	5	6	7	8	9	Clear	
6	*0445- 4 dialling restriction override (for class 2)	0	1	2	3	4	5	6	7	8	9	Clear	
													X
		0	1	2	3	4	5	6	7	8	9		
		0	1	2	3	4	5	6	7	8	9		
	*0446- 4 dialling restriction override (for class 2)	0	1	2	3	4	5	6	7	8	9	Clear	
													X
		0	1	2	3	4	5	6	7	8	9		
		0	1	2	3	4	5	6	7	8	9		
	*0447- 4 dialling restriction override (for class 2)	0	1	2	3	4	5	6	7	8	9	Clear	
													X
		0	1	2	3	4	5	6	7	8	9		
		0	1	2	3	4	5	6	7	8	9		
	*0448- 4 dialling restriction override (for class 2)	0	1	2	3	4	5	6	7	8	9	Clear	
													X
0		1	2	3	4	5	6	7	8	9			
0		1	2	3	4	5	6	7	8	9			

MODE NO.	FEATURE	OPTION SELECTED											
		0	1	2	3	4	5	6	7	8	9	Clear	
6	*0451- 4 dialling restriction override (for class 3)	0	1	2	3	4	5	6	7	8	9	Clear	
													X
		0	1	2	3	4	5	6	7	8	9		
		0	1	2	3	4	5	6	7	8	9		
	*0452- 4 dialling restriction override (for class 3)	0	1	2	3	4	5	6	7	8	9	Clear	
													X
		0	1	2	3	4	5	6	7	8	9		
		0	1	2	3	4	5	6	7	8	9		
	*0453- 4 dialling restriction override (for class 3)	0	1	2	3	4	5	6	7	8	9	Clear	
													X
		0	1	2	3	4	5	6	7	8	9		
		0	1	2	3	4	5	6	7	8	9		
	*0454- 4 dialling restriction override (for class 3)	0	1	2	3	4	5	6	7	8	9	Clear	
													X
0		1	2	3	4	5	6	7	8	9			
0		1	2	3	4	5	6	7	8	9			

MODE NO.	FEATURE	OPTION SELECTED											
		0	1	2	3	4	5	6	7	8	9	Clear	
6	*0455- 4 dialling restriction override (for class 3)	0	1	2	3	4	5	6	7	8	9	Clear	
													X
		0	1	2	3	4	5	6	7	8	9		
		0	1	2	3	4	5	6	7	8	9		
	*0456- 4 dialling restriction override (for class 3)	0	1	2	3	4	5	6	7	8	9	Clear	
													X
		0	1	2	3	4	5	6	7	8	9		
		0	1	2	3	4	5	6	7	8	9		
	*0457- 4 dialling restriction override (for class 3)	0	1	2	3	4	5	6	7	8	9	Clear	
													X
		0	1	2	3	4	5	6	7	8	9		
		0	1	2	3	4	5	6	7	8	9		
	*0458- 4 dialling restriction override (for class 3)	0	1	2	3	4	5	6	7	8	9	Clear	
													X
0		1	2	3	4	5	6	7	8	9			
0		1	2	3	4	5	6	7	8	9			

COL SETTING

COL 1

Tel .No. :

MODE NO.	FEATURE	OPTION SELECTED			
2	Dialling system for outside calls	Tone dial		Pulse dial	
		*0101-0	*0101-1	X	
	Kind of outside line connected to the system(COL or PBX)	COL		PBX	
		*0102-0	X	*0102-1	
	Specification for automatic connecting to outside lines	Not designated		Designated	
		*0103-0	*0103-1		X
	Tone dialling signal duration	80 m sec / 80 m sec	80 m sec / 240 m sec	240 m sec / 240 m sec	
		*0104-0	*0104-1	X	*0104-2
	Detection time of incoming ring signal	4 sec	6 sec	8 sec	10 sec
		*0105-0	X	*0105-1	*0105-2
Recall signal type	Forwarding not required		Time break type		
	*0106-0	X	*0106-1	*0106-2	
Earth recall time	1 sec	1.5 sec	2 sec		
	*0107-0	*0107-1	*0107-2	X	
Call duration display	After 15 sec or after answer	After 30 sec or after answer	After answer		
	*0108-0	X	*0108-1	*0108-2	

COL 2

Tel .No. :

MODE NO.	FEATURE	OPTION SELECTED			
2	Dialling system for outside calls	Tone dial		Pulse dial	
		*0201-0	*0201-1	X	
	Kind of outside line connected to the system(COL or PBX)	COL		PBX	
		*0202-0	X	*0202-1	
	Specification for automatic connecting to outside lines	Not designated		Designated	
		*0203-0	*0203-1		X
	Tone dialling signal duration	80 m sec / 80 m sec	80 m sec / 240 m sec	240 m sec / 240 m sec	
		*0204-0	*0204-1	X	*0204-2
	Detection time of incoming ring signal	4 sec	6 sec	8 sec	10 sec
		*0205-0	X	*0205-1	*0205-2
Recall signal type	Forwarding not required		Time break type		
	*0206-0	X	*0206-1	*0206-2	
Earth recall time	1 sec	1.5 sec	2 sec		
	*0207-0	*0207-1	*0207-2	X	
Call duration display	After 15 sec or after answer	After 30 sec or after answer	After answer		
	*0208-0	X	*0208-1	*0208-2	

NOTE: COL:Central Office Line = Exchange Line

COL 3

Tel .No. :

MODE NO.	FEATURE	OPTION SELECTED				
		Tone dial		Pulse dial		
2	Dialling system for outside calls	*0301-0	X	*0301-1	X	
		COL		PBX		
	Kind of outside line connected to the system(COL or PBX)	*0302-0	X	*0302-1		
		Not designated		Designated		
	Specification for automatic connecting to outside lines	*0303-0		*0303-1	X	
		Tone dialling signal duration	80 m sec / 80 m sec		80 m sec / 240 m sec	240 m sec / 240 m sec
	*0304-0			*0304-1	X	*0304-2
	Detection time of incoming ring signal	4 sec		6 sec	8 sec	10 sec
		*0305-0	X	*0305-1	*0305-2	*0305-3
	Recall signal type	Forwarding not required		Time break type		Earth recall type
		*0306-0	X	*0306-1		*0306-2
	Earth recall time	1 sec		1.5 sec		2 sec
*0307-0			*0307-1		*0307-2	X
Call duration display	After 15 sec or after answer		After 30 sec or after answer		After answer	
	*0308-0	X	*0308-1		*0308-2	

NOTE: COL:Central Office Line = Exchange Line

Extension setting

Extension No.10

Room name:

MODE NO.	FEATURE	OPTION SELECTED															
		COL NO.				COL NO.											
		01	02	03	F	01	02	03	F								
5	COL Assignment for each Line key	Line key 1	✕1001-	X				Line key 7	✕1007-				X				
		Line key 2	✕1002-		X			Line key 8	✕1008-				X				
		Line key 3	✕1003-			X		Line key 9	✕1009-				X				
		Line key 4	✕1004-				X	Line key 10	✕1010-				X				
		Line key 5	✕1005-				X	Line key 11	✕1011-				X				
		Line key 6	✕1006-				X	Line key 12	✕1012-				X				
4	Incoming call ringing	No ring				Ring											
		COL 1	✕1001-0			✕1001-1	X										
		COL 2	✕1002-0			✕1002-1	X										
		COL 3	✕1003-0			✕1003-1	X										
3	Use of system speed dial group	Neither group A nor group B usable				Only group A usable				Only group B usable				Both groups A and B usable			
		✕1001-0				✕1001-1				✕1001-2				✕1001-3	X		
	Interrupting incoming calls during conversation	No ring				Intercom incoming ring only				COL incoming ring only				Intercom and COL incoming ring			
		✕1002-0	X			✕1002-1				✕1002-2				✕1002-3			
	Flexible night service setting	Can not set night mode								Can set night mode							
		✕1003-0		X						✕1003-1							
	Receiving incoming calls in night time call mode	No night ring								Have night ring							
✕1004-0			X						✕1004-1								
Zone paging	No paging				Zone 1				Zone 2				Zone 3				
	✕1005-0				✕1005-1	X			✕1005-2				✕1005-3				
Incoming calls from doorphone	No doorphone ring				Only doorphone A will ring				Only doorphone B will ring				Both doorphones A and B will ring				
	✕1006-0				✕1006-1				✕1006-2				✕1006-3	X			
Secretary or boss telephone	Normal				Secretary				Boss								
	✕1008-0		X			✕1008-1			✕1008-2								
6	Call barring (class of service)	COL 1	Day time	✕1001-2X			✕1001-3X		✕1001-4X			✕1001-5X	X				
			Night time	✕1001-X2			✕1001-X3		✕1001-X4			✕1001-X5	X				
		COL 2	Day time	✕1002-2X			✕1002-3X		✕1002-4X			✕1002-5X	X				
			Night time	✕1002-X2			✕1002-X3		✕1002-X4			✕1002-X5	X				
		COL 3	Day time	✕1003-2X			✕1003-3X		✕1003-4X			✕1003-5X	X				
			Night time	✕1003-X2			✕1003-X3		✕1003-X4			✕1003-X5	X				
		Call barring (system speed dial)	Not restricted						Restricted								
			✕0210-0						✕0210-1	X							

NOTE: COL: Central Office Line = Exchange Line

Extension No. 11

Room name:

MODE NO.	FEATURE	OPTION SELECTED															
		COL NO.				COL NO.				COL NO.							
		01	02	03	F	01	02	03	F	01	02	03	F				
5	COL Assignment for each Line key	Line key 1 <small>✕1101-</small>	X				Line key 7 <small>✕1107-</small>							X			
		Line key 2 <small>✕1102-</small>		X			Line key 8 <small>✕1108-</small>							X			
		Line key 3 <small>✕1103-</small>			X		Line key 9 <small>✕1109-</small>							X			
		Line key 4 <small>✕1104-</small>				X	Line key 10 <small>✕1110-</small>							X			
		Line key 5 <small>✕1105-</small>				X	Line key 11 <small>✕1111-</small>							X			
		Line key 6 <small>✕1106-</small>				X	Line key 12 <small>✕1112-</small>							X			
4	Incoming call ringing	No ring				Ring											
		COL 1 <small>✕1101-0</small>		X		<small>✕1101-1</small>		X									
		COL 2 <small>✕1102-0</small>		X		<small>✕1102-1</small>		X									
		COL 3 <small>✕1103-0</small>		X		<small>✕1103-1</small>		X									
3	Use of system speed dial group	Neither group A nor group B usable <small>✕1101-0</small>	Only group A usable <small>✕1101-1</small>				Only group B usable <small>✕1101-2</small>				Both groups A and B usable <small>✕1101-3</small> X						
		No ring <small>✕1102-0</small> X				Intercom incoming ring only <small>✕1102-1</small>				COL incoming ring only <small>✕1102-2</small>				Intercom and COL incoming ring <small>✕1102-3</small>			
	Flexible night service setting	Can not set night mode <small>✕1103-0</small> X				Can set night mode <small>✕1103-1</small>											
		No night ring <small>✕1104-0</small> X				Have night ring <small>✕1104-1</small>											
	Zone paging	No paging <small>✕1105-0</small>				Zone 1 <small>✕1105-1</small> X				Zone 2 <small>✕1105-2</small>				Zone 3 <small>✕1105-3</small>			
		No doorphone ring <small>✕1106-0</small>				Only doorphone A will ring <small>✕1106-1</small>				Only doorphone B will ring <small>✕1106-2</small>				Both doorphones A and B will ring <small>✕1106-3</small> X			
	Secretary or boss telephone	Normal <small>✕1108-0</small> X				Secretary <small>✕1108-1</small>				Boss <small>✕1108-2</small>							
6		Call barring (class of service)					Class 1		Class 2		Class 3		Class 4				
	COL 1		Day time <small>✕1101-2X</small>	<small>✕1101-3X</small>		<small>✕1101-4X</small>		<small>✕1101-5X</small> X									
			Night time <small>✕1101-X2</small>	<small>✕1101-X3</small>		<small>✕1101-X4</small>		<small>✕1101-X5</small> X									
	COL 2		Day time <small>✕1102-2X</small>	<small>✕1102-3X</small>		<small>✕1102-4X</small>		<small>✕1102-5X</small> X									
			Night time <small>✕1102-X2</small>	<small>✕1102-X3</small>		<small>✕1102-X4</small>		<small>✕1102-X5</small> X									
	COL 3		Day time <small>✕1103-2X</small>	<small>✕1103-3X</small>		<small>✕1103-4X</small>		<small>✕1103-5X</small> X									
Night time <small>✕1103-X2</small>		<small>✕1103-X3</small>		<small>✕1103-X4</small>		<small>✕1103-X5</small> X											
Call barring (system speed dial)	Not restricted <small>✕0211-0</small>				Restricted <small>✕0211-1</small> X												

NOTE: COL: Central Office Line = Exchange Line

Extension No.12

Room name:

MODE NO.	FEATURE	OPTION SELECTED												
		COL NO.				COL NO.				COL NO.				
		01	02	03	F	01	02	03	F	01	02	03	F	
5	COL Assignment for each Line key	Line key 1 ✕1201-	X				Line key 7 ✕1207-							X
		Line key 2 ✕1202-		X			Line key 8 ✕1208-							X
		Line key 3 ✕1203-			X		Line key 9 ✕1209-							X
		Line key 4 ✕1204-				X	Line key 10 ✕1210-							X
		Line key 5 ✕1205-				X	Line key 11 ✕1211-							X
		Line key 6 ✕1206-				X	Line key 12 ✕1212-							X
4	Incoming call ringing	No ring				Ring								
		COL 1 ✕1201-0		X		✕1201-1		X						
		COL 2 ✕1202-0		X		✕1202-1		X						
		COL 3 ✕1203-0		X		✕1203-1		X						
3	Use of system speed dial group	Neither group A nor group B usable ✕1201-0	Only group A usable ✕1201-1			Only group B usable ✕1201-2			Both groups A and B usable ✕1201-3 X					
		Interrupting incoming calls during conversation ✕1202-0 X	No ring			Intercom incoming ring only ✕1202-1			COL incoming ring only ✕1202-2			Intercom and COL incoming ring ✕1202-3		
	Flexible night service setting	Can not set night mode ✕1203-0 X				Can set night mode ✕1203-1								
		Receiving incoming calls in night time call mode	No night ring ✕1204-0 X				Have night ring ✕1204-1							
	Zone paging		No paging ✕1205-0		Zone 1 ✕1205-1 X		Zone 2 ✕1205-2			Zone 3 ✕1205-3				
		Incoming calls from doorphone	No doorphone ring ✕1206-0		Only doorphone A will ring ✕1206-1			Only doorphone B will ring ✕1206-2			Both doorphones A and B will ring ✕1206-3 X			
	Secretary or boss telephone		Normal ✕1208-0 X				Secretary ✕1208-1				Boss ✕1208-2			
6		Call barring (class of service)	COL 1	Day time ✕1201-2X	Class 1 ✕1201-3X		Class 2 ✕1201-4X		Class 3 ✕1201-5X		Class 4 ✕1201-5X X			
	Night time ✕1201-X2			✕1201-X3		✕1201-X4		✕1201-X5 X						
	COL 2		Day time ✕1202-2X	✕1202-3X		✕1202-4X		✕1202-5X X						
			Night time ✕1202-X2	✕1202-X3		✕1202-X4		✕1202-X5 X						
	COL 3		Day time ✕1203-2X	✕1203-3X		✕1203-4X		✕1203-5X X						
			Night time ✕1203-X2	✕1203-X3		✕1203-X4		✕1203-X5 X						
	Call barring (system speed dial)	Not restricted ✕0212-0				Restricted ✕0212-1 X								

NOTE: COL: Central Office Line = Exchange Line

Extension No.13

Room name:

MODE NO.	FEATURE	OPTION SELECTED											
		COL NO.				COL NO.				COL NO.			
		01	02	03	F	01	02	03	F	01	02	03	F
5	COL Assignment for each Line key	Line key 1	✕1301-	X				Line key 7	✕1307-				X
		Line key 2	✕1302-		X			Line key 8	✕1308-				X
		Line key 3	✕1303-			X		Line key 9	✕1309-				X
		Line key 4	✕1304-				X	Line key 10	✕1310-				X
		Line key 5	✕1305-				X	Line key 11	✕1311-				X
		Line key 6	✕1306-				X	Line key 12	✕1312-				X
4	Incoming call ringing	No ring				Ring							
		COL 1	✕1301-0		X		✕1301-1		X				
		COL 2	✕1302-0		X		✕1302-1		X				
		COL 3	✕1303-0		X		✕1303-1		X				
3	Use of system speed dial group	Neither group A nor group B usable		Only group A usable		Only group B usable		Both groups A and B usable					
		✕1301-0		✕1301-1		✕1301-2		✕1301-3		X			
	Interrupting incoming calls during conversation	No ring		Intercom incoming ring only		COL incoming ring only		Intercom and COL incoming ring					
		✕1302-0	X	✕1302-1		✕1302-2		✕1302-3					
	Flexible night service setting	Can not set night mode				Can set night mode							
		✕1303-0		X		✕1303-1							
	Receiving incoming calls in night time call mode	No night ring				Have night ring							
✕1304-0			X		✕1304-1								
Zone paging	No paging		Zone 1		Zone 2		Zone 3						
	✕1305-0		✕1305-1	X	✕1305-2		✕1305-3						
Incoming calls from doorphone	No doorphone ring		Only doorphone A will ring		Only doorphone B will ring		Both doorphones A and B will ring						
	✕1306-0		✕1306-1		✕1306-2		✕1306-3		X				
Secretary or boss telephone	Normal			Secretary			Boss						
	✕1308-0		X	✕1308-1		✕1308-2							
6	Call barring (class of service)	COL 1	Day time	✕1301-2X	✕1301-3X	✕1301-4X	✕1301-5X					X	
			Night time	✕1301-X2	✕1301-X3	✕1301-X4	✕1301-X5					X	
		COL 2	Day time	✕1302-2X	✕1302-3X	✕1302-4X	✕1302-5X					X	
			Night time	✕1302-X2	✕1302-X3	✕1302-X4	✕1302-X5					X	
		COL 3	Day time	✕1303-2X	✕1303-3X	✕1303-4X	✕1303-5X					X	
			Night time	✕1303-X2	✕1303-X3	✕1303-X4	✕1303-X5					X	
	Call barring (system speed dial)	Not restricted				Restricted							
✕0213-0					✕0213-1		X						

NOTE: COL: Central Office Line = Exchange Line

Extension No. 14

Room name:

MODE NO.	FEATURE	OPTION SELECTED																
		COL NO.				COL NO.												
		01	02	03	F	01	02	03	F	01	02	03	F					
5	COL Assignment for each Line key	Line key 1 <small>✕1401-</small>	X				Line key 7 <small>✕1407-</small>							X				
		Line key 2 <small>✕1402-</small>		X			Line key 8 <small>✕1408-</small>							X				
		Line key 3 <small>✕1403-</small>			X		Line key 9 <small>✕1409-</small>							X				
		Line key 4 <small>✕1404-</small>				X	Line key 10 <small>✕1410-</small>							X				
		Line key 5 <small>✕1405-</small>				X	Line key 11 <small>✕1411-</small>							X				
		Line key 6 <small>✕1406-</small>				X	Line key 12 <small>✕1412-</small>							X				
4	Incoming call ringing	No ring						Ring										
		COL 1 <small>✕1401-0</small>		X				COL 1 <small>✕1401-1</small>		X								
		COL 2 <small>✕1402-0</small>		X				COL 2 <small>✕1402-1</small>		X								
		COL 3 <small>✕1403-0</small>		X				COL 3 <small>✕1403-1</small>		X								
3	Use of system speed dial group	Neither group A nor group B usable <small>✕1401-0</small>				Only group A usable <small>✕1401-1</small>				Only group B usable <small>✕1401-2</small>				Both groups A and B usable <small>✕1401-3</small> X				
		No ring <small>✕1402-0</small> X				Intercom incoming ring only <small>✕1402-1</small>				COL incoming ring only <small>✕1402-2</small>				Intercom and COL incoming ring <small>✕1402-3</small>				
	Interrupting incoming calls during conversation	No ring <small>✕1402-0</small> X				Intercom incoming ring only <small>✕1402-1</small>				COL incoming ring only <small>✕1402-2</small>				Intercom and COL incoming ring <small>✕1402-3</small>				
		Can not set night mode <small>✕1403-0</small> X				Can set night mode <small>✕1403-1</small>												
	Flexible night service setting	Can not set night mode <small>✕1403-0</small> X				Can set night mode <small>✕1403-1</small>												
		No night ring <small>✕1404-0</small> X				Have night ring <small>✕1404-1</small>												
	Receiving incoming calls in night time call mode	No night ring <small>✕1404-0</small> X				Have night ring <small>✕1404-1</small>												
No paging <small>✕1405-0</small>				Zone 1 <small>✕1405-1</small> X				Zone 2 <small>✕1405-2</small>				Zone 3 <small>✕1405-3</small>						
Zone paging	No paging <small>✕1405-0</small>				Zone 1 <small>✕1405-1</small> X				Zone 2 <small>✕1405-2</small>				Zone 3 <small>✕1405-3</small>					
	No doorphone ring <small>✕1406-0</small>				Only doorphone A will ring <small>✕1406-1</small>				Only doorphone B will ring <small>✕1406-2</small>				Both doorphones A and B will ring <small>✕1406-3</small> X					
Incoming calls from doorphone	No doorphone ring <small>✕1406-0</small>				Only doorphone A will ring <small>✕1406-1</small>				Only doorphone B will ring <small>✕1406-2</small>				Both doorphones A and B will ring <small>✕1406-3</small> X					
	Normal <small>✕1408-0</small> X				Secretary <small>✕1408-1</small>				Boss <small>✕1408-2</small>									
Secretary or boss telephone	Normal <small>✕1408-0</small> X				Secretary <small>✕1408-1</small>				Boss <small>✕1408-2</small>									
	6	Call barring (class of service)	Class 1				Class 2				Class 3				Class 4			
COL 1			Day time <small>✕1401-2X</small>				Night time <small>✕1401-X2</small>				Day time <small>✕1401-3X</small>				Night time <small>✕1401-X3</small>			
			Day time <small>✕1401-4X</small>				Night time <small>✕1401-X4</small>				Day time <small>✕1401-5X</small>				Night time <small>✕1401-X5</small>			
COL 2			Day time <small>✕1402-2X</small>				Night time <small>✕1402-X2</small>				Day time <small>✕1402-3X</small>				Night time <small>✕1402-X3</small>			
			Day time <small>✕1402-4X</small>				Night time <small>✕1402-X4</small>				Day time <small>✕1402-5X</small>				Night time <small>✕1402-X5</small>			
COL 3			Day time <small>✕1403-2X</small>				Night time <small>✕1403-X2</small>				Day time <small>✕1403-3X</small>				Night time <small>✕1403-X3</small>			
	Day time <small>✕1403-4X</small>				Night time <small>✕1403-X4</small>				Day time <small>✕1403-5X</small>				Night time <small>✕1403-X5</small>					
Call barring (system speed dial)	Not restricted <small>✕0214-0</small>								Restricted <small>✕0214-1</small> X									

NOTE: COL: Central Office line = Exchange Line

Extension No.15 (OPTION)

MODE NO.	FEATURE	OPTION		SELECTED									
		Key telephone		Single line telephone									
3	Telephone type	+ 1507-0 X		+ 1507-1									
5	COL Assignment for each Line key			COL NO.		COL NO.							
				01	02	03	F	01	02	03	F		
		Line key 1	✕1501-	X				Line key 7	✕1507-				X
		Line key 2	✕1502-		X			Line key 8	✕1508-				X
		Line key 3	✕1503-			X		Line key 9	✕1509-				X
		Line key 4	✕1504-				X	Line key 10	✕1510-				X
		Line key 5	✕1505-				X	Line key 11	✕1511-				X
	Line key 6	✕1506-				X	Line key 12	✕1512-				X	
4	Incoming call ringing			No ring		Ring							
		COL 1	✕1501-0		X	✕1501-1		X					
		COL 2	✕1502-0		X	✕1502-1		X					
	COL 3	✕1503-0		X	✕1503-1		X						
3	Use of system speed dial group	Neither group A nor group B usable	✕1501-0	Only group A usable	✕1501-1	Only group B usable	✕1501-2	Both groups A and B usable	✕1501-3	X			
	Interrupting incoming calls during conversation	No ring	✕1502-0	Intercom incoming ring only	✕1502-1	COL incoming ring only	✕1502-2	Intercom and COL incoming ring	✕1502-3				
	Flexible night service setting	Can not set night mode			✕1503-0 X				Can set night mode		✕1503-1		
	Receiving incoming calls in night time call mode	No night ring			✕1504-0 X				Have night ring		✕1504-1		
	Zone paging	No paging	✕1505-0	Zone 1	✕1505-1	X	Zone 2	✕1505-2	Zone 3	✕1505-3			
	Incoming calls from doorphone	No doorphone ring	✕1506-0	Only doorphone A will ring	✕1506-1	Only doorphone B will ring	✕1506-2	Both doorphones A and B will ring	✕1506-3	X			
	Secretary or boss telephone	Normal		✕1508-0	X	Secretary		✕1508-1	Boss		✕1508-2		
6	Call barring (class of service)			Class 1	Class 2	Class 3	Class 4						
		COL 1	Day time	✕1501-2X	✕1501-3X	✕1501-4X	✕1501-5X	X					
			Night time	✕1501-X2	✕1501-X3	✕1501-X4	✕1501-X5	X					
		COL 2	Day time	✕1502-2X	✕1502-3X	✕1502-4X	✕1502-5X	X					
			Night time	✕1502-X2	✕1502-X3	✕1502-X4	✕1502-X5	X					
		COL 3	Day time	✕1503-2X	✕1503-3X	✕1503-4X	✕1503-5X	X					
	Night time		✕1503-X2	✕1503-X3	✕1503-X4	✕1503-X5	X						
Call barring (system speed dial)	Not restricted			✕0215-0				Restricted		✕0215-1 X			

NOTE: COL: Central Office Line = Exchange Line

Extension No.16 (OPTION)

Room name:

MODE NO.	FEATURE	OPTION		SELECTED								
3	Telephone type	Key telephone		Single line telephone								
		*1607-0 X		*1607-1								
5	COL Assignment for each Line key			COL NO.				COL NO.				
				01	02	03	F	01	02	03	F	
		Line key 1	*1601-	X				Line key 7	*1607-			X
		Line key 2	*1602-		X			Line key 8	*1608-			X
		Line key 3	*1603-			X		Line key 9	*1609-			X
		Line key 4	*1604-				X	Line key 10	*1610-			X
		Line key 5	*1605-				X	Line key 11	*1611-			X
Line key 6	*1606-				X	Line key 12	*1612-			X		
4	Incoming call ringing			No ring		Ring						
		COL 1	*1601-0		X	*1601-1		X				
		COL 2	*1602-0		X	*1602-1		X				
		COL 3	*1603-0		X	*1603-1		X				
3	Use of system speed dial group	Neither group A nor group B usable		Only group A usable		Only group B usable		Both groups A and B usable				
		*1601-0		*1601-1		*1601-2		*1601-3 X				
	Interrupting incoming calls during conversation	No ring		Intercom incoming ring only		COL incoming ring only		Intercom and COL incoming ring				
		*1602-0 X		*1602-1		*1602-2		*1602-3				
	Flexible night service setting	Can not set night mode				Can set night mode						
		*1603-0 X				*1603-1						
	Receiving incoming calls in night time call mode	No night ring				Have night ring						
*1604-0 X				*1604-1								
Zone paging	No paging		Zone 1		Zone 2		Zone 3					
	*1605-0		*1605-1 X		*1605-2		*1605-3					
Incoming calls from doorphone	No doorphone ring		Only doorphone A will ring		Only doorphone B will ring		Both doorphones A and B will ring					
	*1606-0		*1606-1		*1606-2		*1606-3 X					
Secretary or boss telephone	Normal		Secretary		Boss							
	*1608-0 X		*1608-1		*1608-2							
6	Call barring (class of service)			Class 1		Class 2		Class 3		Class 4		
		COL 1	Day time	*1601-2X		*1601-3X		*1601-4X		*1601-5X X		
			Night time	*1601-X2		*1601-X3		*1601-X4		*1601-X5 X		
		COL 2	Day time	*1602-2X		*1602-3X		*1602-4X		*1602-5X X		
			Night time	*1602-X2		*1602-X3		*1602-X4		*1602-X5 X		
		COL 3	Day time	*1603-2X		*1603-3X		*1603-4X		*1603-5X X		
	Night time		*1603-X2		*1603-X3		*1603-X4		*1603-X5 X			
Call barring (system speed dial)	Not restricted				Restricted							
*0216-0		*0216-1 X										

NOTE: COL: Central Office Line = Exchange Line

Extension No.17 (OPTION)

Room name:

MODE NO.	FEATURE	OPTION		SELECTED							
3	Telephone type	Key telephone		Single line telephone							
		*1707-0	X	*1707-1							
5	COL Assignment for each Line key			COL NO.							
				01	02	03	F				
		Line key 1 *1701-	X				Line key 7 *1707-				X
		Line key 2 *1702-		X			Line key 8 *1708-				X
		Line key 3 *1703-			X		Line key 9 *1709-				X
		Line key 4 *1704-				X	Line key 10 *1710-				X
		Line key 5 *1705-				X	Line key 11 *1711-				X
		Line key 6 *1706-				X	Line key 12 *1712-				X
4	Incoming call ringing			No ring		Ring					
		COL 1	*1701-0	X		*1701-1	X				
		COL 2	*1702-0	X		*1702-1	X				
		COL 3	*1703-0	X		*1703-1	X				
3	Use of system speed dial group	Neither group A nor group B usable	*1701-0	Only group A usable	*1701-1	Only group B usable	*1701-2	Both groups A and B usable	*1701-3	X	
		Interrupting incoming calls during conversation	No ring	*1702-0	X	Intercom incoming ring only	*1702-1	COL incoming ring only	*1702-2	Intercom and COL incoming ring	*1702-3
	Flexible night service setting	Can not set night mode		Can set night mode							
		*1703-0	X	*1703-1							
	Receiving incoming calls in night time call mode	No night ring		Have night ring							
		*1704-0	X	*1704-1							
	Zone paging	No paging	*1705-0	Zone 1	*1705-1	X	Zone 2	*1705-2	Zone 3	*1705-3	
		Incoming calls from doorphone	No doorphone ring	*1706-0	Only doorphone A will ring	*1706-1	Only doorphone B will ring	*1706-2	Both doorphones A and B will ring	*1706-3	X
Secretary or boss telephone	Normal		Secretary		Boss						
	*1708-0	X	*1708-1		*1708-2						
6	Call barring (class of service)			Class 1	Class 2	Class 3	Class 4				
		COL 1	Day time	*1701-2X	*1701-3X	*1701-4X	*1701-5X	X			
			Night time	*1701-X2	*1701-X3	*1701-X4	*1701-X5	X			
		COL 2	Day time	*1702-2X	*1702-3X	*1702-4X	*1702-5X	X			
			Night time	*1702-X2	*1702-X3	*1702-X4	*1702-X5	X			
		COL 3	Day time	*1703-2X	*1703-3X	*1703-4X	*1703-5X	X			
			Night time	*1703-X2	*1703-X3	*1703-X4	*1703-X5	X			
		Call barring (system speed dial)	Not restricted		Restricted						
	*0217-0			*0217-1		X					

NOTE: COL: Central Office Line = Exchange Line



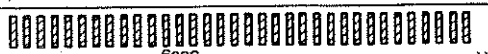

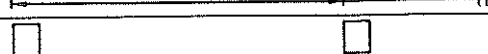
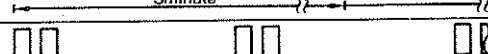
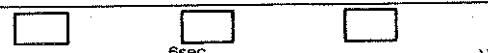





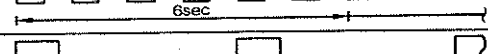
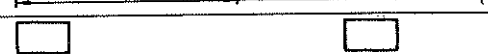

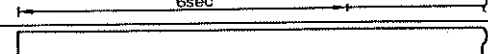





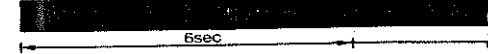
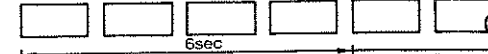
Extension No.18 (OPTION)

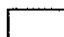
Room name:

MODE NO.	FEATURE	OPTION		SELECTED								
3	Telephone type	Key telephone		Single line telephone								
		- 1807-0 X		- 1807-1								
5	COL Assignment for each Line key			COL NO.				COL NO.				
				01	02	03	F	01	02	03	F	
		Line key 1	✕1801-	X				Line key 7	✕1807-			X
		Line key 2	✕1802-		X			Line key 8	✕1808-			X
		Line key 3	✕1803-			X		Line key 9	✕1809-			X
		Line key 4	✕1804-				X	Line key 10	✕1810-			X
		Line key 5	✕1805-				X	Line key 11	✕1811-			X
		Line key 6	✕1806-			X	Line key 12	✕1812-			X	
4	Incoming call ringing			No ring		Ring						
		COL 1	✕1801-0		X	✕1801-1		X				
		COL 2	✕1802-0		X	✕1802-1		X				
		COL 3	✕1803-0		X	✕1803-1		X				
3	Use of system speed dial group	Neither group A nor group B usable	✕1801-0	Only group A usable	✕1801-1	Only group B usable	✕1801-2	Both groups A and B usable	✕1801-3	X		
		Interrupting incoming calls during conversation	No ring	✕1802-0	X	Intercom incoming ring only	✕1802-1	COL incoming ring only	✕1802-2	Intercom and COL incoming ring	✕1802-3	
	Flexible night service setting	Can not set night mode		Can set night mode								
		✕1803-0	X	✕1803-1								
	Receiving incoming calls in night time call mode	No night ring		Have night ring								
		✕1804-0	X	✕1804-1								
	Zone paging	No paging	✕1805-0	Zone 1	✕1805-1	Zone 2	✕1805-2	Zone 3	✕1805-3			
			X									
Incoming calls from doorphone	No doorphone ring	✕1806-0	Only doorphone A will ring	✕1806-1	Only doorphone B will ring	✕1806-2	Both doorphones A and B will ring	✕1806-3	X			
	Secretary or boss telephone	Normal	✕1808-0	X	Secretary	✕1808-1	Boss	✕1808-2				
6	Call barring (class of service)			Class 1	Class 2	Class 3	Class 4					
		COL 1	Day time	✕1801-2X	✕1801-3X	✕1801-4X	✕1801-5X	X				
			Night time	✕1801-X2	✕1801-X3	✕1801-X4	✕1801-X5	X				
		COL 2	Day time	✕1802-2X	✕1802-3X	✕1802-4X	✕1802-5X	X				
			Night time	✕1802-X2	✕1802-X3	✕1802-X4	✕1802-X5	X				
		COL 3	Day time	✕1803-2X	✕1803-3X	✕1803-4X	✕1803-5X	X				
	Night time		✕1803-X2	✕1803-X3	✕1803-X4	✕1803-X5	X					
Call barring (system speed dial)	Not restricted		✕0218-0	Restricted		✕0218-1	X					

NOTE: COL: Central Office Line = Exchange Line

Tones and lamp indications

	Tone	Interval	Remarks
Exchange Line	Ringing tone		Red lamp flickers.
	Busy (I-use)		Red lamp lights up when other line being used.
	Hold (I-Hold)		Red lamp flickers when other party is hold.
	Long Hold Alarm		Green lamp flickers quickly.
	Long Speech Alarm		
	Ringing tone SLT		
Intercom Line	Ringing tone		INT indicator flickers.
	Busy (I-use)		
	Hold (I-Hold)		INT indicator flickers quickly.
	Intercom dial tone (IDT)		
	Ring back tone (RBT)		
	Busy tone (BT)		
	Ringing tone SLT		
Others	Off-hook signalling		Incoming intercome call: INT indicator flickers
	Doorphone Off-hook signalling		
	Doorphone		Chime or tremolo The INT indicator lights up for 15 seconds for incoming call. The INT indicator lights up when busy.
	Paging		The INT indicator lights up during the paging.
	Night-time call		INT indicator flickers. (Only units which night-time transfer has been programmed)
	Timer alarm		
	Microphone lamp		
	DND/CF lamp		
	Divert tone		
	Transfer Ringing tone		

 : TONE

 : Red lamp

 : Green lamp

Priority for simultaneous calling and receiving

The following table shows the line connection priority when simultaneous callings and receivings occur. The prior calling or receiving takes priority of other callings or receivings in all cases other than those marked with a symbol "*" in the table. The line connection states for later callings or receivings are as shown in the table.

Extension setting

		Later		Incoming COL call	Hold call reminder	Incoming DSS TEL call	incoming intercom call		incoming doorphone call	incoming Paging call	Calling via COL	Calling via intercom
							**	***				
Prior												
During incoming call	Incoming COL call		Standby	Standby	*	*	*	IT-2	Stopped	*	*	
	Hold call reminder		Standby	Standby	*	BT	BT	IT-2	Stopped	*	*	
	Incoming DSS TEL call		Standby or IT	Standby	—	BT	BT	IT-2	Stopped	*	*	
	Incoming Intercom call	Voice Paging access	Standby or IT	Standby	IT	IT	BT	IT-2	Stopped	*	*	
		Tone paging access	*	Standby	*	BT	BT	IT-2	Stopped	*	*	
	Intercom doorphone		*	*	*	*	*	*	Stopped	*	*	
Intercom paging call		*	Standby	*	*	*	*	—	*	*		
During conversation	COL Conversation	**	IT	Standby	IT	IT	—	IT-2	Stopped	*	*	
		***	Standby	Standby	IT	—	BT	IT-2	Stopped	*	*	
	Intercom conversation		Standby or IT	Standby	IT	IT	BT	IT-2	Stopped	*	—	
	In talk-back		Standby or IT	Standby	IT	BT	BT	IT-2	Stopped	*	—	
	Doorphone conversation		Standby or IT	Standby	IT	IT	BT	ICT	Stopped	*	—	
	Paging access		Standby or IT	Standby	IT	IT	BT	IT-2	—	*	—	
DSS TEL conversation		Standby or IT	Standby	—	IT	BT	IT-2	Stopped	*	—		

Single line telephone

		Later	Incoming COL call	Hold call Reminder	incoming DSS TEL call	Incoming intercom call	Incoming doorphone call	Hook-up
		Prior						
During incoming call	Incoming COL call	Standby	—	*	※	—	*	
	Hold call Reminder	Standby	—	*	BT	—	*	
	Incoming DSS TEL call	Standby	—	—	BT	—	*	
	Incoming intercom call	※	—	*	BT	—	*	
During conversation		Standby	—	BT	BT	—	—	
Incoming doorphone call		—	—	—	—	—	—	

- NOTE**
- BT : Busy Tone.
 - IT : Incoming call during Busy Tone.
 - IT-2 : Doorphone being used is set to the IT state.
 - Standby : Set to the IT state when COL off-hook Signalling is available, or set to the Standby State or IT when the same is not available.
 - ICT : Incoming signal is heard at TEL under conversation.
 - * : The prior state will be Standby or Stopped, while the later state will become effective.
 - ** : When intercom off-hook signalling is available.
 - *** : When intercom off-hook signalling is not available.
 - ※ : If incoming intercom call is prior, the call can be available.
If incoming Exchange Line call is prior, the EXT. telephone will be become the BT state.
 - COL : Central Office Line = Exchange Line

