

Fig. 1.

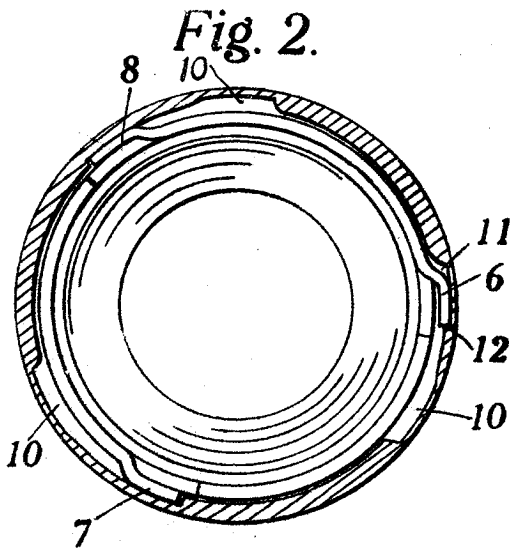


Fig. 2.

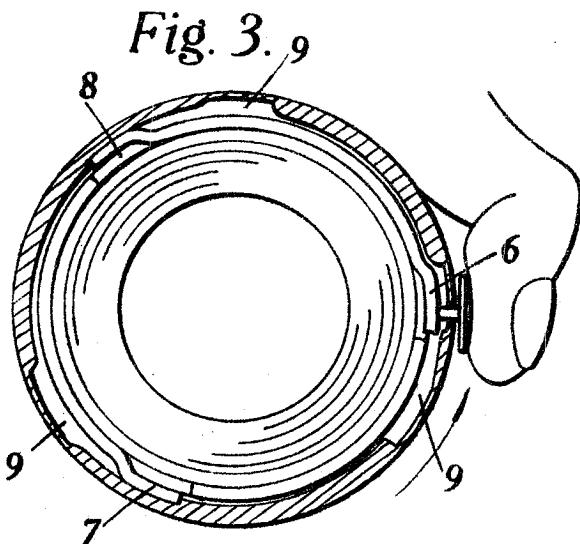


Fig. 3.

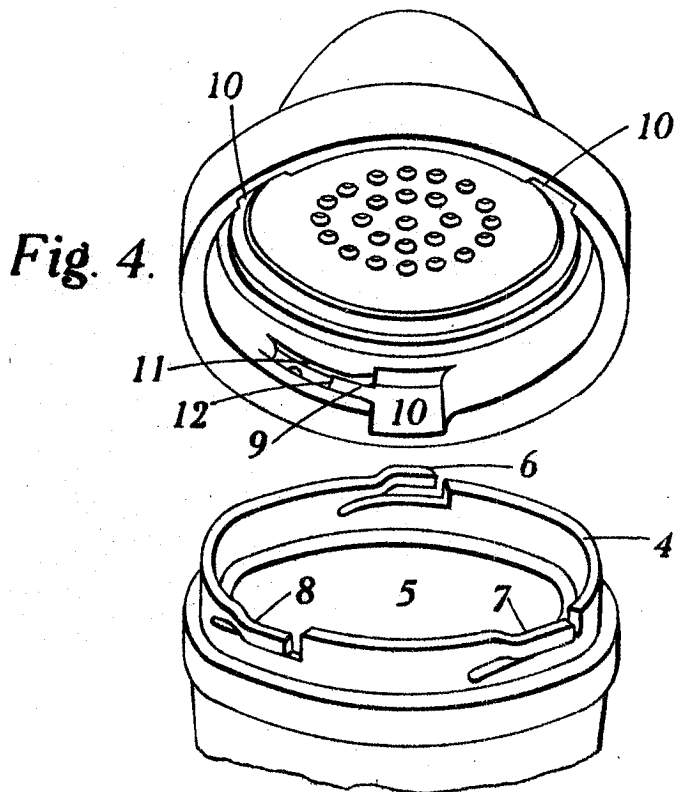


Fig. 4.

Certified to be the drawings referred to  
in the specification hereunto annexed  
Montreal the 3 day of January 1930

Inventor

By  
*Chas. W. Jones*  
Attorney