

Fig. 1.

Fig. 3.

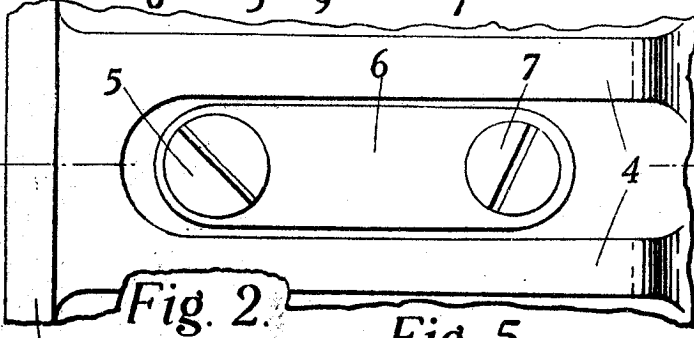
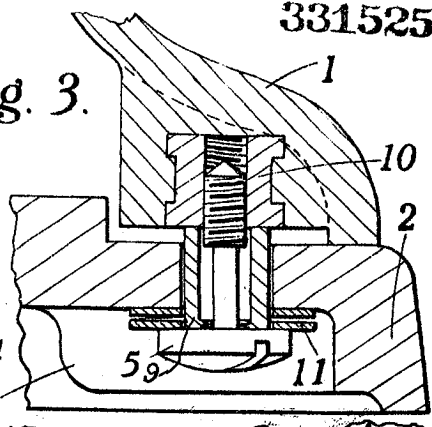


Fig. 2.

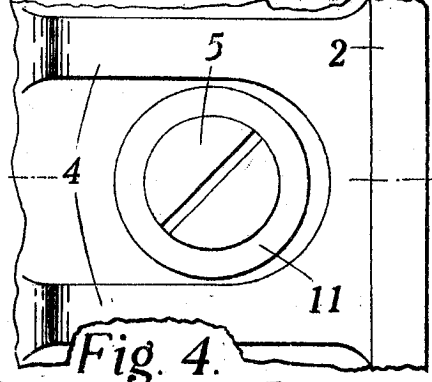


Fig. 4.

Fig. 5.

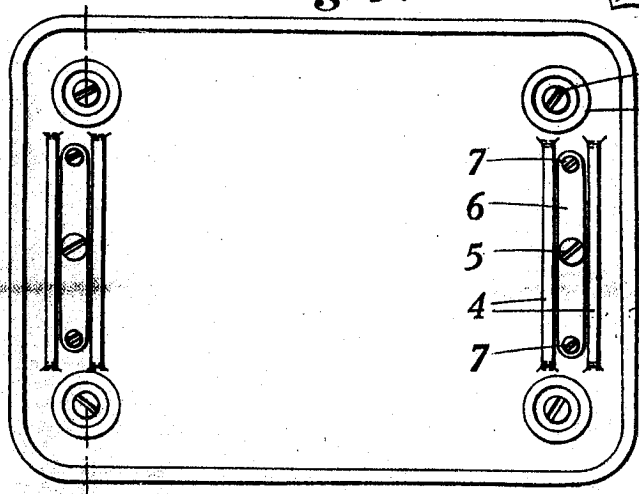


Fig. 6.

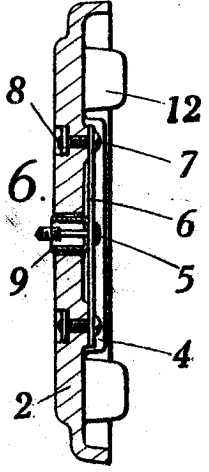


Fig. 7.

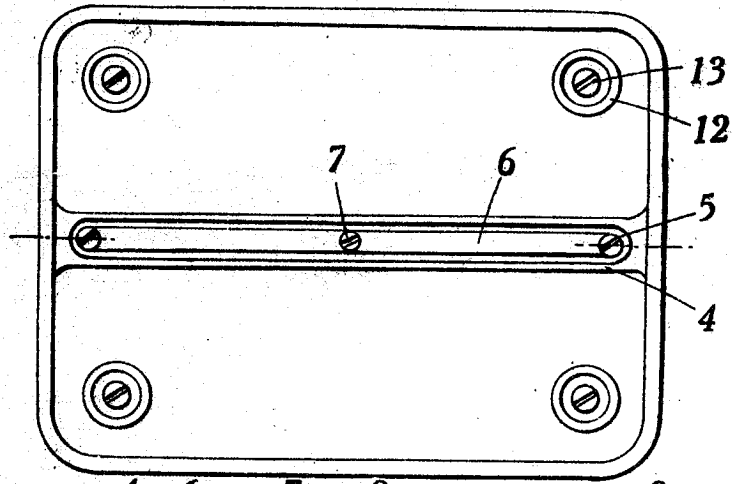
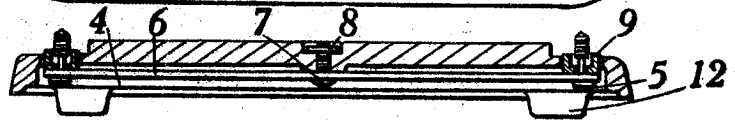


Fig. 8.



Certified to be the drawings referred to  
 in the specification hereunto annexed  
 Montreal, the 15 day of October, 1931.

Witnesses

Inventor  
 W.E. Goodwin,  
 By

Attorney